

### Features

- Compatible with all I<sup>2</sup>C bus modes:
  - 1 MHz
  - 400 kHz
  - 100 kHz
- Memory array:
  - 32 Kbit (4 Kbyte) of EEPROM
  - Page size: 32 byte
  - Additional Write lockable page (M24C32-D order codes)
- Single supply voltage:
  - 1.7 V to 5.5 V over –40 °C / +85 °C
  - 1.6 V to 5.5 V over –20 °C / +85 °C
- Write:
  - Byte Write within 5 ms
  - Page Write within 5 ms
- Random and sequential Read modes
- Write protect of the whole memory array
- Enhanced ESD/Latch-Up protection
- More than 4 million Write cycles
- More than 200-years data retention

### Packages

- PDIP8 ECOPACK2<sup>®</sup>
- SO8 ECOPACK2<sup>®</sup>
- TSSOP8 ECOPACK2<sup>®</sup>
- UFDFPN8 ECOPACK2<sup>®</sup>
- WLCSP ECOPACK2<sup>®</sup>
- UFDFPN5 ECOPACK2<sup>®</sup>
- Unsawn wafer (each die is tested)

# Contents

|          |   |           |
|----------|---|-----------|
| <b>1</b> | <b>Description</b> .....                            | <b>6</b>  |
| <b>2</b> | <b>Signal description</b> .....                     | <b>8</b>  |
| 2.1      | Serial Clock (SCL) .....                            | 8         |
| 2.2      | Serial Data (SDA) .....                             | 8         |
| 2.3      | Chip Enable (E2, E1, E0) .....                      | 8         |
| 2.4      | Write Control ( $\overline{WC}$ ) .....             | 8         |
| 2.5      | $V_{SS}$ (ground) .....                             | 9         |
| 2.6      | Supply voltage ( $V_{CC}$ ) .....                   | 9         |
| 2.6.1    | Operating supply voltage ( $V_{CC}$ ) .....         | 9         |
| 2.6.2    | Power-up conditions .....                           | 9         |
| 2.6.3    | Device reset .....                                  | 9         |
| 2.6.4    | Power-down conditions .....                         | 9         |
| <b>3</b> | <b>Memory organization</b> .....                    | <b>10</b> |
| <b>4</b> | <b>Device operation</b> .....                       | <b>11</b> |
| 4.1      | Start condition .....                               | 12        |
| 4.2      | Stop condition .....                                | 12        |
| 4.3      | Data input .....                                    | 12        |
| 4.4      | Acknowledge bit (ACK) .....                         | 12        |
| 4.5      | Device addressing .....                             | 13        |
| <b>5</b> | <b>Instructions</b> .....                           | <b>14</b> |
| 5.1      | Write operations .....                              | 14        |
| 5.1.1    | Byte Write .....                                    | 15        |
| 5.1.2    | Page Write .....                                    | 16        |
| 5.1.3    | Write Identification Page (M24C32-D only) .....     | 17        |
| 5.1.4    | Lock Identification Page (M24C32-D only) .....      | 17        |
| 5.1.5    | ECC (Error Correction Code) and Write cycling ..... | 17        |
| 5.1.6    | Minimizing Write delays by polling on ACK .....     | 18        |
| 5.2      | Read operations .....                               | 19        |
| 5.2.1    | Random Address Read .....                           | 20        |

---

|           |  |           |
|-----------|--|-----------|
| 5.2.2     | Current Address Read .....                     | 20        |
| 5.2.3     | Sequential Read .....                          | 20        |
| 5.2.4     | Read Identification Page (M24C32-D only) ..... | 20        |
| 5.2.5     | Read the lock status (M24C32-D only) .....     | 21        |
| <b>6</b>  | <b>Initial delivery state .....</b>            | <b>22</b> |
| <b>7</b>  | <b>Maximum rating .....</b>                    | <b>23</b> |
| <b>8</b>  | <b>DC and AC parameters .....</b>              | <b>24</b> |
| <b>9</b>  | <b>Package information .....</b>               | <b>34</b> |
| 9.1       | UFDFPN5 (DFN5) package information .....       | 34        |
| 9.2       | UFDFPN8 (DFN8) package information .....       | 36        |
| 9.3       | TSSOP8 package information .....               | 37        |
| 9.4       | SO8N package information .....                 | 38        |
| 9.5       | PDIP8 package information .....                | 40        |
| 9.6       | Ultra Thin WLCSP package information .....     | 41        |
| <b>10</b> | <b>Ordering information .....</b>              | <b>45</b> |
| <b>11</b> | <b>Revision history .....</b>                  | <b>48</b> |

## List of tables

|           |  |    |
|-----------|--|----|
| Table 1.  | Signal names . . . . .   | 6  |
| Table 2.  | Signals vs. bump position . . . . .  | 7  |
| Table 3.  | Device select code . . . . .   | 13 |
| Table 4.  | Most significant address byte . . . . .  | 14 |
| Table 5.  | Least significant address byte . . . . .   | 14 |
| Table 6.  | Absolute maximum ratings . . . . .   | 23 |
| Table 7.  | Operating conditions (voltage range W) . . . . .   | 24 |
| Table 8.  | Operating conditions (voltage range R) . . . . .   | 24 |
| Table 9.  | Operating conditions (voltage range F) . . . . .   | 24 |
| Table 10. | Operating conditions (voltage range X) . . . . .   | 24 |
| Table 11. | Input parameters . . . . .   | 25 |
| Table 12. | AC measurement conditions . . . . .  | 25 |
| Table 13. | Cycling performance . . . . .  | 25 |
| Table 14. | Memory cell data retention . . . . .   | 25 |
| Table 15. | DC characteristics (M24C32-W, device grade 6) . . . . .  | 26 |
| Table 16. | DC characteristics (M24C32-R device grade 6) . . . . .   | 27 |
| Table 17. | DC characteristics (M24C32-F, device grade 6) . . . . .  | 28 |
| Table 18. | DC characteristics (M24C32-X, device grade 5) . . . . .  | 29 |
| Table 19. | 400 kHz AC characteristics . . . . .   | 30 |
| Table 20. | 1 MHz AC characteristics . . . . .   | 31 |
| Table 21. | UFDFPN5 - 1.7 × 1.4 mm, 0.55 mm thickness, ultra thin fine pitch<br>dual flat package, no lead - package mechanical data . . . . . | 34 |
| Table 22. | UFDFPN8 – 2x3 mm, 0.55 thickness, ultra thin fine pitch dual flat package,<br>no lead - package mechanical data . . . . .          | 36 |
| Table 23. | TSSOP8 – 3 x 4.4 mm, 0.65 mm pitch, 8-lead thin shrink small outline,<br>package mechanical data . . . . .                         | 37 |
| Table 24. | SO8N – 3.9x4.9 mm, 8-lead plastic small outline, 150 mils body width,<br>package mechanical data . . . . .                         | 38 |
| Table 25. | PDIP8 – 8-pin plastic DIP, 0.25 mm lead frame, package mechanical data . . . . .   | 40 |
| Table 26. | Ultra Thin WLCSP- 4-bump, 0.795 x 0.674 mm, wafer level chip scale<br>package mechanical data . . . . .                            | 41 |
| Table 27. | Ultra Thin WLCSP- 4-bump, 0.795 x 0.674 mm, with BSC, wafer level chip<br>scale package mechanical data . . . . .                  | 43 |
| Table 28. | Ordering information scheme . . . . .  | 45 |
| Table 29. | Ordering information scheme (unsawn wafer) . . . . .   | 46 |
| Table 30. | Document revision history . . . . .  | 48 |

## List of figures

|            |  |    |
|------------|--|----|
| Figure 1.  | Logic diagram . . . . .  | 6  |
| Figure 2.  | 8-pin package connections, top view . . . . .  | 6  |
| Figure 3.  | UFDFPN5 (DFN5) package connections . . . . .   | 7  |
| Figure 4.  | WLCSP 4 bump Ultra thin package connections . . . . .  | 7  |
| Figure 5.  | Chip enable inputs connection . . . . .  | 8  |
| Figure 6.  | Block diagram . . . . .  | 10 |
| Figure 7.  | I <sup>2</sup> C bus protocol . . . . .  | 11 |
| Figure 8.  | Write mode sequences with $\overline{WC} = 0$ (data write enabled) . . . . .   | 15 |
| Figure 9.  | Write mode sequences with $\overline{WC} = 1$ (data write inhibited) . . . . .   | 16 |
| Figure 10. | Write cycle polling flowchart using ACK . . . . .  | 18 |
| Figure 11. | Read mode sequences . . . . .  | 19 |
| Figure 12. | AC measurement I/O waveform . . . . .  | 25 |
| Figure 13. | Maximum R <sub>bus</sub> value versus bus parasitic capacitance (C <sub>bus</sub> ) for<br>an I <sup>2</sup> C bus at maximum frequency f <sub>C</sub> = 400 kHz . . . . . | 32 |
| Figure 14. | Maximum R <sub>bus</sub> value versus bus parasitic capacitance C <sub>bus</sub> ) for<br>an I <sup>2</sup> C bus at maximum frequency f <sub>C</sub> = 1MHz . . . . .     | 32 |
| Figure 15. | AC waveforms . . . . .   | 33 |
| Figure 16. | UFDFPN5 – 1.7x1.4 mm, 0.55 mm thickness, ultra thin fine pitch<br>dual flat package, no lead - package outline . . . . .   | 34 |
| Figure 17. | UFDFPN5 - 5-lead, 1.7 × 1.4 mm, 0.55 mm thickness, ultra thin fine pitch<br>dual flat package, no lead recommended footprint . . . . .                                     | 35 |
| Figure 18. | UFDFPN8 – 2x3 mm, 0.55 thickness, ultra thin fine pitch<br>dual flat package, no lead - package outline . . . . .  | 36 |
| Figure 19. | TSSOP8 – 3x4.4 mm, 0.65 mm pitch, 8-lead thin shrink small outline,<br>package outline . . . . .   | 37 |
| Figure 20. | SO8N – 3.9x4.9 mm, 8-lead plastic small outline, 150 mils body width, package outline . . . . .  | 38 |
| Figure 21. | SO8N – 3.9x4.9 mm, 8-lead plastic small outline, 150 mils body width,<br>package recommended footprint . . . . .   | 39 |
| Figure 22. | PDIP8 – 8-pin plastic DIP, 0.25 mm lead frame, package outline . . . . .   | 40 |
| Figure 23. | Ultra Thin WLCSP- 4-bump, 0.795 x 0.674 mm, wafer level chip scale<br>package outline . . . . .  | 41 |
| Figure 24. | Thin WLCSP- 4-bump, 0.795 x 0.674 mm, wafer level chip scale<br>package recommended footprint . . . . .  | 42 |
| Figure 25. | Ultra Thin WLCSP- 4-bump, 0.795 x 0.674 mm, with BSC, wafer level chip<br>scale package outline . . . . .  | 43 |
| Figure 26. | Thin WLCSP- 4-bump, 0.795 x 0.674 mm, wafer level chip scale<br>package recommended footprint . . . . .  | 44 |

# 1 Description

The M24C32 is a 32-Kbit I<sup>2</sup>C-compatible EEPROM (Electrically Erasable PROgrammable Memory) organized as 4 K × 8 bits.

The M24C32-W can operate with a supply voltage from 2.5 V to 5.5 V, the M24C32-R can operate with a supply voltage from 1.8 V to 5.5 V, and the M24C32-F and M24C32-DF can operate with a supply voltage from 1.7 V to 5.5 V, over an ambient temperature range of -40 °C / +85 °C; while the M24C32-X can operate with a supply voltage from 1.6 V to 5.5 V over an ambient temperature range of -20 °C / +85 °C.

The M24C32-D offers an additional page, named the Identification Page (32 byte). The Identification Page can be used to store sensitive application parameters which can be (later) permanently locked in Read-only mode.

**Figure 1. Logic diagram**



**Table 1. Signal names**

| Signal name     | Function       | Direction |
|-----------------|----------------|-----------|
| E2, E1, E0      | Chip Enable    | Input     |
| SDA             | Serial Data    | I/O       |
| SCL             | Serial Clock   | Input     |
| $\overline{WC}$ | Write Control  | Input     |
| V <sub>CC</sub> | Supply voltage | -         |
| V <sub>SS</sub> | Ground         | -         |

**Figure 2. 8-pin package connections, top view**



**Figure 3. UDFPN5 (DFN5) package connections**



- Inputs E2, E1, E0 are not connected, therefore read as (000). Please refer to [Section 2.3](#) for further explanations.

**Figure 4. WLCSP 4 bump Ultra thin package connections**



- Inputs E2, E1, E0 are read as (000). Please refer to [Section 2.3](#) for further explanations.

**Table 2. Signals vs. bump position**

| Position | A               | B   |
|----------|-----------------|-----|
| 1        | V <sub>CC</sub> | SCL |
| 2        | V <sub>SS</sub> | SDA |

## 2 Signal description

### 2.1 Serial Clock (SCL)

The signal applied on the SCL input is used to strobe the data available on SDA(in) and to output the data on SDA(out).

### 2.2 Serial Data (SDA)

SDA is an input/output used to transfer data in or data out of the device. SDA(out) is an open drain output that may be wire-OR'ed with other open drain or open collector signals on the bus. A pull-up resistor must be connected from Serial Data (SDA) to  $V_{CC}$  (Figure 13 indicates how to calculate the value of the pull-up resistor).

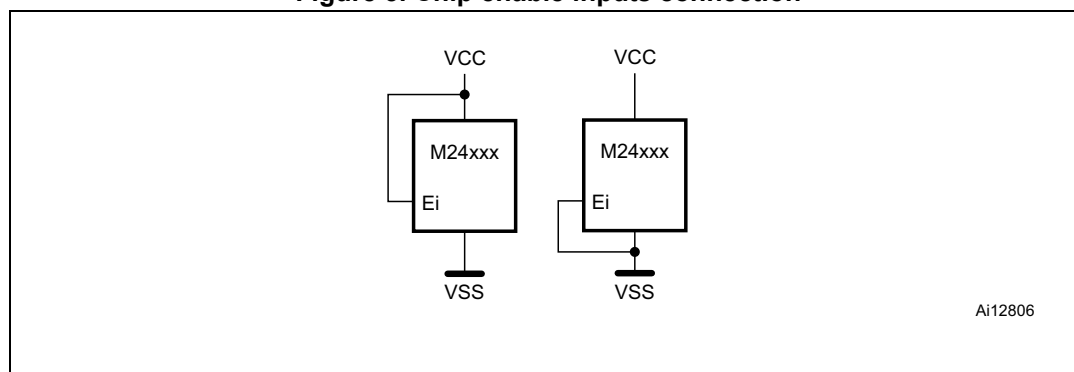
### 2.3 Chip Enable (E2, E1, E0)

(E2,E1,E0) input signals are used to set the value that is to be looked for on the three least significant bits (b3, b2, b1) of the 7-bit device select code (see Table 3). These inputs must be tied to  $V_{CC}$  or  $V_{SS}$ , as shown in Figure 5. When not connected (left floating), these inputs are read as low (0).

For the UDFFPN5 package, the (E2,E1,E0) inputs are not connected, therefore read as (0,0,0).

For the 4-balls WLCSP package (see Figure 4), the (E2,E1,E0) inputs are internally connected to (0, 0, 0).

Figure 5. Chip enable inputs connection



Ai12806

### 2.4 Write Control ( $\overline{WC}$ )

This input signal is useful for protecting the entire contents of the memory from inadvertent write operations. Write operations are disabled to the entire memory array when Write Control ( $\overline{WC}$ ) is driven high. Write operations are enabled when Write Control ( $\overline{WC}$ ) is either driven low or left floating.

When Write Control ( $\overline{WC}$ ) is driven high, device select and address bytes are acknowledged, Data bytes are not acknowledged.



## 2.5 $V_{SS}$ (ground)

$V_{SS}$  is the reference for the  $V_{CC}$  supply voltage.

## 2.6 Supply voltage ( $V_{CC}$ )

### 2.6.1 Operating supply voltage ( $V_{CC}$ )

Prior to selecting the memory and issuing instructions to it, a valid and stable  $V_{CC}$  voltage within the specified [ $V_{CC}(\min)$ ,  $V_{CC}(\max)$ ] range must be applied (see Operating conditions in [Section 8: DC and AC parameters](#)). In order to secure a stable DC supply voltage, it is recommended to decouple the  $V_{CC}$  line with a suitable capacitor (usually of the order of 10 nF to 100 nF) close to the  $V_{CC}/V_{SS}$  package pins.

This voltage must remain stable and valid until the end of the transmission of the instruction and, for a write instruction, until the completion of the internal write cycle ( $t_W$ ).

### 2.6.2 Power-up conditions

The  $V_{CC}$  voltage has to rise continuously from 0 V up to the minimum  $V_{CC}$  operating voltage (see Operating conditions in [Section 8: DC and AC parameters](#)).

### 2.6.3 Device reset

In order to prevent inadvertent write operations during power-up, a power-on-reset (POR) circuit is included.

At power-up, the device does not respond to any instruction until  $V_{CC}$  has reached the internal reset threshold voltage. This threshold is lower than the minimum  $V_{CC}$  operating voltage (see Operating conditions in [Section 8: DC and AC parameters](#)). When  $V_{CC}$  passes over the POR threshold, the device is reset and enters the Standby Power mode; however, the device must not be accessed until  $V_{CC}$  reaches a valid and stable DC voltage within the specified [ $V_{CC}(\min)$ ,  $V_{CC}(\max)$ ] range (see Operating conditions in [Section 8: DC and AC parameters](#)).

In a similar way, during power-down (continuous decrease in  $V_{CC}$ ), the device must not be accessed when  $V_{CC}$  drops below  $V_{CC}(\min)$ . When  $V_{CC}$  drops below the internal reset threshold voltage, the device stops responding to any instruction sent to it.

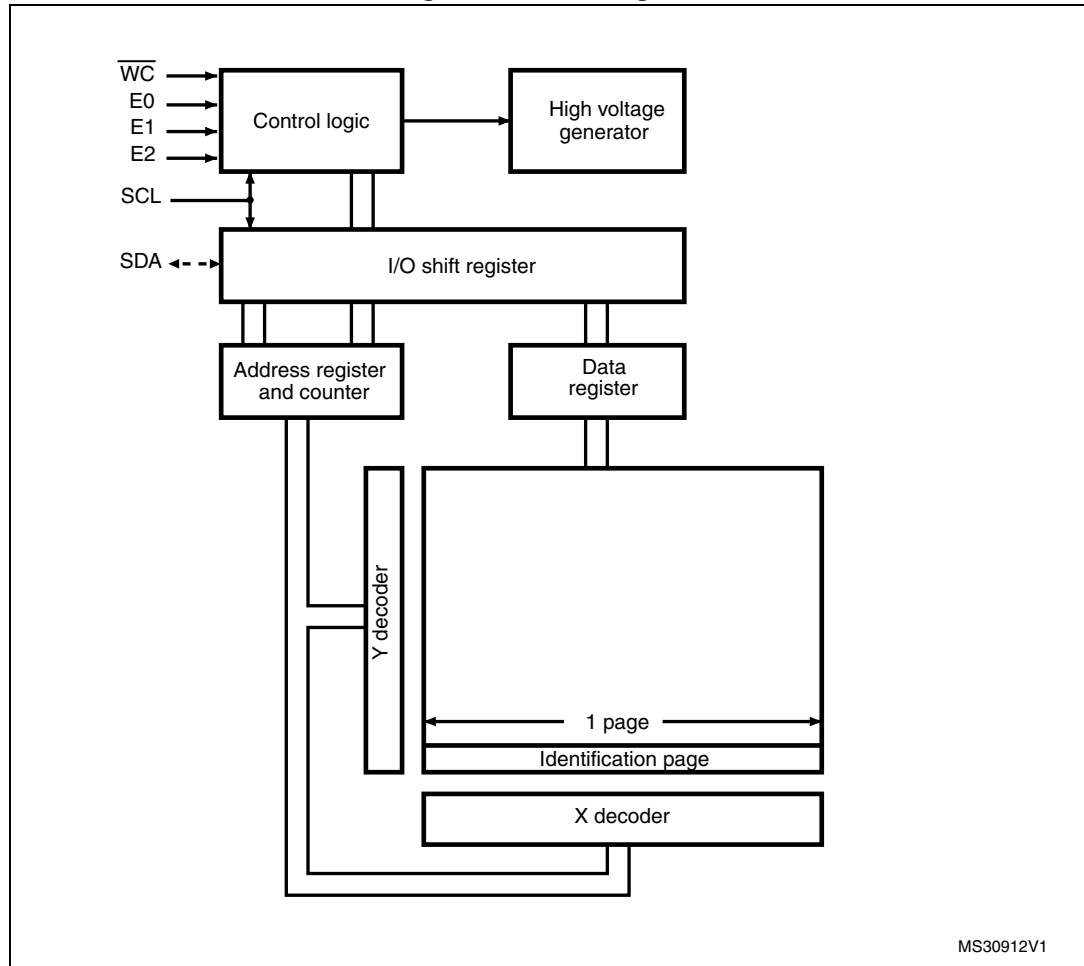
### 2.6.4 Power-down conditions

During power-down (continuous decrease in  $V_{CC}$ ), the device must be in the Standby Power mode (mode reached after decoding a Stop condition, assuming that there is no internal write cycle in progress).

### 3 Memory organization

The memory is organized as shown below.

Figure 6. Block diagram



## 4 Device operation

The device supports the I<sup>2</sup>C protocol. This is summarized in [Figure 7](#). Any device that sends data on to the bus is defined to be a transmitter, and any device that reads the data to be a receiver. The device that controls the data transfer is known as the bus master, and the other as the slave device. A data transfer can only be initiated by the bus master, which will also provide the serial clock for synchronization. The device is always a slave in all communications.

Figure 7. I<sup>2</sup>C bus protocol



## 4.1 Start condition

Start is identified by a falling edge of Serial Data (SDA) while Serial Clock (SCL) is stable in the high state. A Start condition must precede any data transfer instruction. The device continuously monitors (except during a Write cycle) Serial Data (SDA) and Serial Clock (SCL) for a Start condition.

## 4.2 Stop condition

Stop is identified by a rising edge of Serial Data (SDA) while Serial Clock (SCL) is stable and driven high. A Stop condition terminates communication between the device and the bus master. A Read instruction that is followed by NoAck can be followed by a Stop condition to force the device into the Standby mode.

A Stop condition at the end of a Write instruction triggers the internal Write cycle.

## 4.3 Data input

During data input, the device samples Serial Data (SDA) on the rising edge of Serial Clock (SCL). For correct device operation, Serial Data (SDA) must be stable during the rising edge of Serial Clock (SCL), and the Serial Data (SDA) signal must change *only* when Serial Clock (SCL) is driven low.

## 4.4 Acknowledge bit (ACK)

The acknowledge bit is used to indicate a successful byte transfer. The bus transmitter, whether it be bus master or slave device, releases Serial Data (SDA) after sending eight bits of data. During the 9<sup>th</sup> clock pulse period, the receiver pulls Serial Data (SDA) low to acknowledge the receipt of the eight data bits.

## 4.5 Device addressing

To start communication between the bus master and the slave device, the bus master must initiate a Start condition. Following this, the bus master sends the device select code, shown in [Table 3](#) (most significant bit first).

**Table 3. Device select code**

|   | Device type identifier <sup>(1)</sup> |    |    |    | Chip Enable address <sup>(2)</sup> |    |    | $\overline{RW}$ |
|---|---------------------------------------|----|----|----|------------------------------------|----|----|-----------------|
|   | b7                                    | b6 | b5 | b4 | b3                                 | b2 | b1 | b0              |
| Device select code when addressing the memory array       | 1                                     | 0  | 1  | 0  | E2                                 | E1 | E0 | $\overline{RW}$ |
| Device select code when accessing the Identification page | 1                                     | 0  | 1  | 1  | E2                                 | E1 | E0 | $\overline{RW}$ |

1. The most significant bit, b7, is sent first.
2. E0, E1 and E2 are compared with the value read on input pins E0, E1 and E2.

When the device select code is received, the device only responds if the Chip Enable address is the same as the value on its Chip Enable E2,E1,E0 inputs.

The 8<sup>th</sup> bit is the Read/Write bit ( $\overline{RW}$ ). This bit is set to 1 for Read and 0 for Write operations.

If a match occurs on the device select code, the corresponding device gives an acknowledgment on Serial Data (SDA) during the 9<sup>th</sup> bit time. If the device does not match the device select code, the device deselects itself from the bus, and goes into Standby mode.

## 5 Instructions

### 5.1 Write operations

Following a Start condition the bus master sends a device select code with the  $\overline{R/\overline{W}}$  bit ( $\overline{RW}$ ) reset to 0. The device acknowledges this, as shown in [Figure 8](#), and waits for two address bytes. The device responds to each address byte with an acknowledge bit, and then waits for the data byte.

**Table 4. Most significant address byte**

|     |     |     |     |     |     |    |    |
|-----|-----|-----|-----|-----|-----|----|----|
| A15 | A14 | A13 | A12 | A11 | A10 | A9 | A8 |
|-----|-----|-----|-----|-----|-----|----|----|

**Table 5. Least significant address byte**

|    |    |    |    |    |    |    |    |
|----|----|----|----|----|----|----|----|
| A7 | A6 | A5 | A4 | A3 | A2 | A1 | A0 |
|----|----|----|----|----|----|----|----|

When the bus master generates a Stop condition immediately after a data byte Ack bit (in the “10<sup>th</sup> bit” time slot), either at the end of a Byte Write or a Page Write, the internal Write cycle  $t_{\overline{W}}$  is triggered. A Stop condition at any other time slot does not trigger the internal Write cycle.

After the Stop condition and the successful completion of an internal Write cycle ( $t_{\overline{W}}$ ), the device internal address counter is automatically incremented to point to the next byte after the last modified byte.

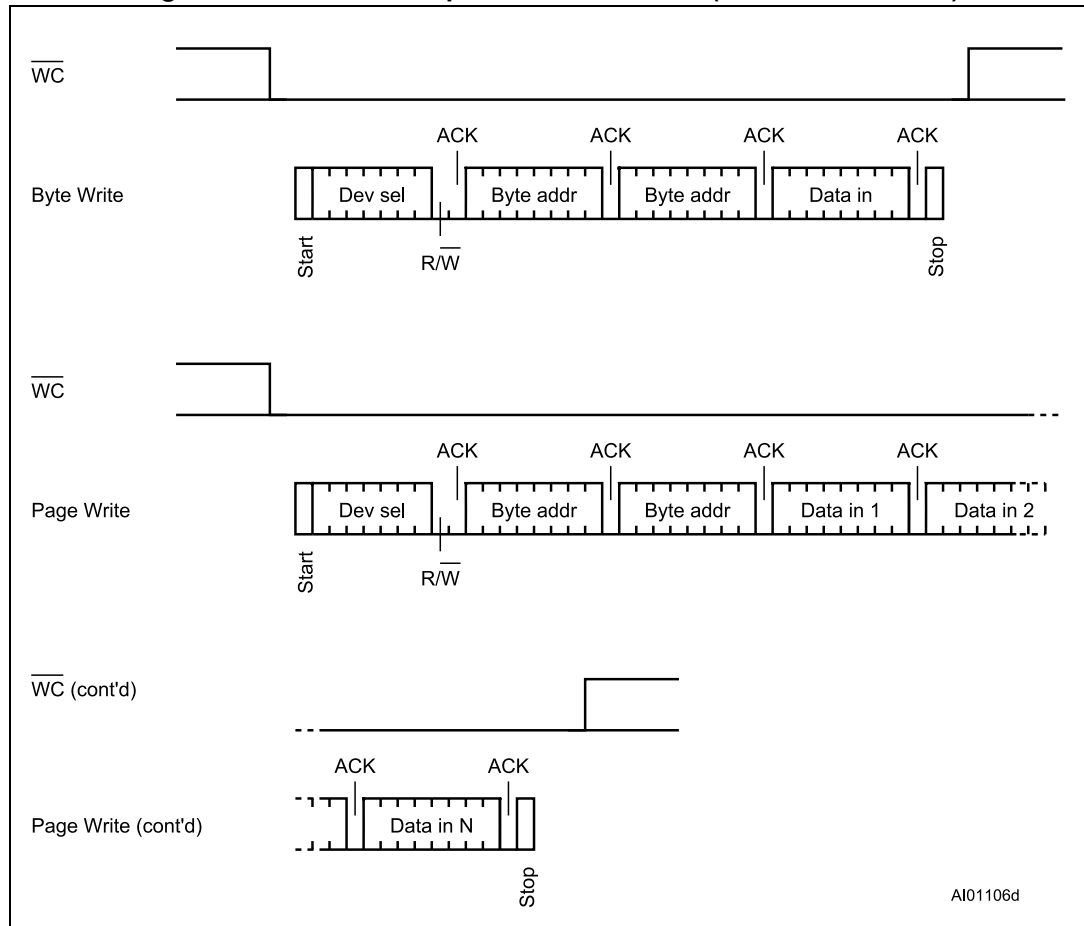
During the internal Write cycle, Serial Data (SDA) is disabled internally, and the device does not respond to any requests.

If the Write Control input (WC) is driven High, the Write instruction is not executed and the accompanying data bytes are *not* acknowledged, as shown in [Figure 9](#).

### 5.1.1 Byte Write

After the device select code and the address bytes, the bus master sends one data byte. If the addressed location is Write-protected, by Write Control ( $\overline{WC}$ ) being driven high, the device replies with NoAck, and the location is not modified. If, instead, the addressed location is not Write-protected, the device replies with Ack. The bus master terminates the transfer by generating a Stop condition, as shown in *Figure 8*.

**Figure 8. Write mode sequences with  $\overline{WC} = 0$  (data write enabled)**



### 5.1.2 Page Write

The Page Write mode allows up to 32 byte to be written in a single Write cycle, provided that they are all located in the same page in the memory: that is, the most significant memory address bits, b16-b5, are the same. If more bytes are sent than will fit up to the end of the page, a “roll-over” occurs, i.e. the bytes exceeding the page end are written on the same page, from location 0.

The bus master sends from 1 to 32 byte of data, each of which is acknowledged by the device if Write Control ( $\overline{WC}$ ) is low. If Write Control ( $\overline{WC}$ ) is high, the contents of the addressed memory location are not modified, and each data byte is followed by a NoAck, as shown in *Figure 9*. After each transferred byte, the internal page address counter is incremented.

The transfer is terminated by the bus master generating a Stop condition.

**Figure 9. Write mode sequences with  $\overline{WC} = 1$  (data write inhibited)**





### 5.1.3 Write Identification Page (M24C32-D only)

The Identification Page (32 byte) is an additional page which can be written and (later) permanently locked in Read-only mode. It is written by issuing the Write Identification Page instruction. This instruction uses the same protocol and format as Page Write (into memory array), except for the following differences:

- Device type identifier = 1011b
- MSB address bits A15/A5 are don't care except for address bit A10 which must be '0'. LSB address bits A4/A0 define the byte address inside the Identification page.

If the Identification page is locked, the data bytes transferred during the Write Identification Page instruction are not acknowledged (NoAck).

### 5.1.4 Lock Identification Page (M24C32-D only)

The Lock Identification Page instruction (Lock ID) permanently locks the Identification page in Read-only mode. The Lock ID instruction is similar to Byte Write (into memory array) with the following specific conditions:

- Device type identifier = 1011b
- Address bit A10 must be '1'; all other address bits are don't care
- The data byte must be equal to the binary value xxxx xx1x, where x is don't care

### 5.1.5 ECC (Error Correction Code) and Write cycling

The ECC is offered only in devices identified with process letter K, all other devices (identified with a different process letter) do not embed the ECC logic.

The Error Correction Code (ECC) is an internal logic function which is transparent for the I<sup>2</sup>C communication protocol.

The ECC logic is implemented on each group of four EEPROM bytes<sup>(1)</sup>. Inside a group, if a single bit out of the four bytes happens to be erroneous during a Read operation, the ECC detects this bit and replaces it with the correct value. The read reliability is therefore much improved.

Even if the ECC function is performed on groups of four bytes, a single byte can be written/cycled independently. In this case, the ECC function also writes/cycles the three other bytes located in the same group<sup>(1)</sup>. As a consequence, the maximum cycling budget is defined at group level and the cycling can be distributed over the 4 bytes of the group: the sum of the cycles seen by byte0, byte1, byte2 and byte3 of the same group must remain below the maximum value defined [Table 13: Cycling performance](#).

---

1. A group of four bytes is located at addresses [4\*N, 4\*N+1, 4\*N+2, 4\*N+3], where N is an integer.

### 5.1.6 Minimizing Write delays by polling on ACK

The maximum Write time ( $t_w$ ) is shown in AC characteristics tables in [Section 8: DC and AC parameters](#), but the typical time is shorter. To make use of this, a polling sequence can be used by the bus master.

The sequence, as shown in [Figure 10](#), is:

- Initial condition: a Write cycle is in progress.
- Step 1: the bus master issues a Start condition followed by a device select code (the first byte of the new instruction).
- Step 2: if the device is busy with the internal Write cycle, no Ack will be returned and the bus master goes back to Step 1. If the device has terminated the internal Write cycle, it responds with an Ack, indicating that the device is ready to receive the second part of the instruction (the first byte of this instruction having been sent during Step 1).

**Figure 10. Write cycle polling flowchart using ACK**



1. The seven most significant bits of the Device Select code of a Random Read (bottom right box in the figure) must be identical to the seven most significant bits of the Device Select code of the Write (polling instruction in the figure).

## 5.2 Read operations

Read operations are performed independently of the state of the Write Control ( $\overline{WC}$ ) signal. After the successful completion of a Read operation, the device internal address counter is incremented by one, to point to the next byte address.

For the Read instructions, after each byte read (data out), the device waits for an acknowledgment (data in) during the 9th bit time. If the bus master does not acknowledge during this 9th time, the device terminates the data transfer and switches to its Standby mode.

Figure 11. Read mode sequences



### 5.2.1 Random Address Read

A dummy Write is first performed to load the address into this address counter (as shown in [Figure 11](#)) but *without* sending a Stop condition. Then, the bus master sends another Start condition, and repeats the device select code, with the  $\overline{RW}$  bit set to 1. The device acknowledges this, and outputs the contents of the addressed byte. The bus master must *not* acknowledge the byte, and terminates the transfer with a Stop condition.

### 5.2.2 Current Address Read

For the Current Address Read operation, following a Start condition, the bus master only sends a device select code with the  $R/\overline{W}$  bit set to 1. The device acknowledges this, and outputs the byte addressed by the internal address counter. The counter is then incremented. The bus master terminates the transfer with a Stop condition, as shown in [Figure 11](#), *without* acknowledging the byte.

Note that the address counter value is defined by instructions accessing either the memory or the Identification page. When accessing the Identification page, the address counter value is loaded with the byte location in the Identification page, therefore the next Current Address Read in the memory uses this new address counter value. When accessing the memory, it is safer to always use the Random Address Read instruction (this instruction loads the address counter with the byte location to read in the memory, see [Section 5.2.1](#)) instead of the Current Address Read instruction.

### 5.2.3 Sequential Read

This operation can be used after a Current Address Read or a Random Address Read. The bus master *does* acknowledge the data byte output, and sends additional clock pulses so that the device continues to output the next byte in sequence. To terminate the stream of bytes, the bus master must *not* acknowledge the last byte, and *must* generate a Stop condition, as shown in [Figure 11](#).

The output data comes from consecutive addresses, with the internal address counter automatically incremented after each byte output. After the last memory address, the address counter “rolls-over”, and the device continues to output data from memory address 00h.

### 5.2.4 Read Identification Page (M24C32-D only)

The Identification Page (32 byte) is an additional page which can be written and (later) permanently locked in Read-only mode.

The Identification Page can be read by issuing an Read Identification Page instruction. This instruction uses the same protocol and format as the Random Address Read (from memory array) with device type identifier defined as 1011b. The MSB address bits A15/A5 are don't care, the LSB address bits A4/A0 define the byte address inside the Identification Page. The number of bytes to read in the ID page must not exceed the page boundary (e.g.: when reading the Identification Page from location 10d, the number of bytes should be less than or equal to 22, as the ID page boundary is 32 byte).

### 5.2.5 Read the lock status (M24C32-D only)

The locked/unlocked status of the Identification page can be checked by transmitting a specific truncated command [Identification Page Write instruction + one data byte] to the device. The device returns an acknowledge bit if the Identification page is unlocked, otherwise a NoAck bit if the Identification page is locked.

Right after this, it is recommended to transmit to the device a Start condition followed by a Stop condition, so that:

- Start: the truncated command is not executed because the Start condition resets the device internal logic,
- Stop: the device is then set back into Standby mode by the Stop condition.

## 6 Initial delivery state

The device is delivered with all the memory array bits set to 1 (each byte contains FFh).

When delivered in unsawn wafer, all memory bits are set to 1 (each memory byte contains FFh) except the last byte located at address FFFh which is written with the value 22h.

## 7 Maximum rating

Stressing the device outside the ratings listed in [Table 6](#) may cause permanent damage to the device. These are stress ratings only, and operation of the device at these, or any other conditions outside those indicated in the operating sections of this specification, is not implied. Exposure to absolute maximum rating conditions for extended periods may affect device reliability.

**Table 6. Absolute maximum ratings**

| Symbol            | Parameter   | Min.                    | Max.                | Unit |
|-------------------|---|-------------------------|---------------------|------|
|                   | Ambient operating temperature                         | -40                     | 130                 | °C   |
| T <sub>STG</sub>  | Storage temperature                                   | -65                     | 150                 | °C   |
| T <sub>LEAD</sub> | Lead temperature during soldering                     | see note <sup>(1)</sup> |                     | °C   |
|                   | PDIP-specific lead temperature during soldering       | -                       | 260 <sup>(2)</sup>  | °C   |
| I <sub>OL</sub>   | DC output current (SDA = 0)                           | -                       | 5                   | mA   |
| V <sub>IO</sub>   | Input or output range                                 | -0.50                   | 6.5                 | V    |
| V <sub>CC</sub>   | Supply voltage  | -0.50                   | 6.5                 | V    |
| V <sub>ESD</sub>  | Electrostatic pulse (Human Body model) <sup>(3)</sup> | -                       | 3000 <sup>(4)</sup> | V    |

1. Compliant with JEDEC Std J-STD-020D (for small body, Sn-Pb or Pb-free assembly), the ST ECOPACK2® 7191395 specification, and the European directive on Restrictions of Hazardous Substances (RoHS directive 2011/65/EU of July 2011).
2. T<sub>LEAD</sub> max must not be applied for more than 10 s.
3. Positive and negative pulses applied on different combinations of pin connections, according to AEC-Q100-002 (compliant with ANSI/ESDA/JEDEC JS-001-2012 standard, C1=100 pF, R1=1500 Ω).
4. 4000 V for devices identified with process letter K and P.

## 8 DC and AC parameters

This section summarizes the operating and measurement conditions, and the DC and AC characteristics of the device.

**Table 7. Operating conditions (voltage range W)**

| Symbol          | Parameter                     | Min. | Max.             | Unit |
|-----------------|-------------------------------|------|------------------|------|
| V <sub>CC</sub> | Supply voltage                | 2.5  | 5.5              | V    |
| T <sub>A</sub>  | Ambient operating temperature | -40  | 85               | °C   |
| f <sub>C</sub>  | Operating clock frequency     | -    | 1 <sup>(1)</sup> | MHz  |

1. 400 kHz for devices identified by process letter P.

**Table 8. Operating conditions (voltage range R)**

| Symbol          | Parameter                     | Min. | Max.             | Unit |
|-----------------|-------------------------------|------|------------------|------|
| V <sub>CC</sub> | Supply voltage                | 1.8  | 5.5              | V    |
| T <sub>A</sub>  | Ambient operating temperature | -40  | 85               | °C   |
| f <sub>C</sub>  | Operating clock frequency     | -    | 1 <sup>(1)</sup> | MHz  |

1. 400 kHz for devices by process letter P.

**Table 9. Operating conditions (voltage range F)**

| Symbol          | Parameter   | Min.               |     | Max. | Unit |
|-----------------|---|--------------------|-----|------|------|
| V <sub>CC</sub> | Supply voltage  | 1.6 <sup>(1)</sup> | 1.7 | 5.5  | V    |
| T <sub>A</sub>  | Ambient operating temperature: READ                               | -40                | -40 | 85   | °C   |
|                 | Ambient operating temperature: WRITE                              | 0                  | -40 | 85   |      |
| f <sub>C</sub>  | Operating clock frequency, V <sub>CC</sub> ≥ 1.6 V <sup>(1)</sup> | -                  |     | 400  | kHz  |
|                 | Operating clock frequency, V <sub>CC</sub> ≥ 1.7 V                | -                  |     | 1000 |      |

1. Only for devices identified with process letter T

**Table 10. Operating conditions (voltage range X)**

| Symbol          | Parameter                     | Min. | Max. | Unit |
|-----------------|-------------------------------|------|------|------|
| V <sub>CC</sub> | Supply voltage                | 1.6  | 5.5  | V    |
| T <sub>A</sub>  | Ambient operating temperature | -20  | 85   | °C   |
| f <sub>C</sub>  | Operating clock frequency     | -    | 1    | MHz  |



Table 11. Input parameters

| Symbol          | Parameter <sup>(1)</sup>                                      | Test condition                        | Min. | Max. | Unit |
|-----------------|---|---------------------------------------|------|------|------|
| C <sub>IN</sub> | Input capacitance (SDA)                                       | -                                     | -    | 8    | pF   |
| C <sub>IN</sub> | Input capacitance (other pins)                                | -                                     | -    | 6    | pF   |
| Z <sub>L</sub>  | Input impedance (E2, E1, E0, $\overline{WC}$ ) <sup>(2)</sup> | V <sub>IN</sub> < 0.3 V <sub>CC</sub> | 30   | -    | kΩ   |
| Z <sub>H</sub>  |   | V <sub>IN</sub> > 0.7 V <sub>CC</sub> | 500  | -    | kΩ   |

1. Characterized only, not tested in production.
2. E2, E1, E0 input impedance when the memory is selected (after a Start condition).

Table 12. AC measurement conditions

| Symbol           | Parameter                                     | Min.                                       | Max. | Unit |
|------------------|---|--|------|------|
| C <sub>bus</sub> | Load capacitance                              | -  | 100  | pF   |
| -                | SCL input rise/fall time, SDA input fall time | -  | 50   | ns   |
| -                | Input levels                                  | 0.2 V <sub>CC</sub> to 0.8 V <sub>CC</sub> |      | V    |
| -                | Input and output timing reference levels      | 0.3 V <sub>CC</sub> to 0.7 V <sub>CC</sub> |      | V    |

Figure 12. AC measurement I/O waveform

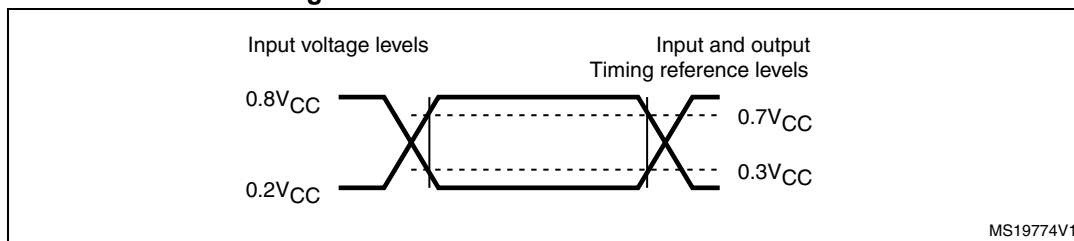


Table 13. Cycling performance

| Symbol | Parameter                            | Test condition  | Max. <sup>(1)</sup> | Unit                       |
|--------|--------------------------------------|---|---------------------|----------------------------|
| Ncycle | Write cycle endurance <sup>(2)</sup> | T <sub>A</sub> ≤ 25 °C, V <sub>CC</sub> (min) < V <sub>CC</sub> < V <sub>CC</sub> (max) | 4,000,000           | Write cycle <sup>(3)</sup> |
|        |                                      | T <sub>A</sub> = 85 °C, V <sub>CC</sub> (min) < V <sub>CC</sub> < V <sub>CC</sub> (max) | 1,200,000           |                            |

1. Cycling performance for products identified by process letter K or T (previous products were specified with 1 million cycles at 25 °C & 300 K cycles at 85 °C)
2. The Write cycle endurance is defined by characterization and qualification. For devices embedding the ECC functionality (see [Chapter 5.1.5](#)), the write cycle endurance is defined for group of four bytes located at addresses [4\*N, 4\*N+1, 4\*N+2, 4\*N+3] where N is an integer.
3. A Write cycle is executed when either a Page Write, a Byte write, a Write Identification Page or a Lock Identification Page instruction is decoded. When using the Byte Write, the Page Write or the Write Identification Page, refer also to [Section 5.1.5: ECC \(Error Correction Code\) and Write cycling](#)

Table 14. Memory cell data retention

| Parameter                     | Test condition         | Min.               | Unit |
|-------------------------------|------------------------|--------------------|------|
| Data retention <sup>(1)</sup> | T <sub>A</sub> = 55 °C | 200 <sup>(2)</sup> | Year |

1. The data retention behavior is checked in production, while the data retention limit defined in this table is extracted from characterization and qualification results.
2. For products identified by process letter K or T (previous products were specified with a data retention of 40 years at 55°C).

Table 15. DC characteristics (M24C32-W, device grade 6)

| Symbol    | Parameter   | Test conditions (in addition to those in Table 7)  | Min.         | Max.         | Unit    |
|-----------|---|--|--------------|--------------|---------|
| $I_{LI}$  | Input leakage current (SCL, SDA, E2, E1, E0)                              | $V_{IN} = V_{SS}$ or $V_{CC}$ , device in Standby mode                                   | -            | $\pm 2$      | $\mu A$ |
| $I_{LO}$  | Output leakage current  | SDA in Hi-Z, external voltage applied on SDA: $V_{SS}$ or $V_{CC}$                       | -            | $\pm 2$      | $\mu A$ |
| $I_{CC}$  | Supply current (Read)   | $2.5 V < V_{CC} < 5.5 V$ , $f_c = 400 kHz$ (rise/fall time < 50 ns)                      | -            | 2            | mA      |
|           |   | $2.5 V < V_{CC} < 5.5 V$ , $f_c = 1 MHz^{(1)}$ (rise/fall time < 50 ns)                  | -            | 2.5          | mA      |
| $I_{CC0}$ | Supply current (Write)  | During $t_W$ ,<br>$2.5 V \leq V_{CC} \leq 5.5 V$   | -            | $5^{(2)}$    | mA      |
| $I_{CC1}$ | Standby supply current  | Device not selected <sup>(3)</sup> ,<br>$V_{IN} = V_{SS}$ or $V_{CC}$ , $V_{CC} = 2.5 V$ | -            | 2            | $\mu A$ |
|           |   | Device not selected <sup>(3)</sup> ,<br>$V_{IN} = V_{SS}$ or $V_{CC}$ , $V_{CC} = 5.5 V$ | -            | $(4)$        | $\mu A$ |
| $V_{IL}$  | Input low voltage (SCL, SDA, $\overline{WC}$ , E2, E1, E0) <sup>(5)</sup> | -  | -0.45        | $0.3 V_{CC}$ | V       |
| $V_{IH}$  | Input high voltage (SCL, SDA)   | -  | $0.7 V_{CC}$ | 6.5          | V       |
|           | Input high voltage ( $\overline{WC}$ , E2, E1, E0) <sup>(6)</sup>         | -  | $0.7 V_{CC}$ | $V_{CC}+1$   | V       |
| $V_{OL}$  | Output low voltage  | $I_{OL} = 2.1 mA$ , $V_{CC} = 2.5 V$ or<br>$I_{OL} = 3 mA$ , $V_{CC} = 5.5 V$            | -            | 0.4          | V       |

1. Only for devices identified with process letter K or T.
2. Characterized value, not tested in production.
3. The device is not selected after power-up, after a Read instruction (after the Stop condition), or after the completion of the internal write cycle  $t_W$  ( $t_W$  is triggered by the correct decoding of a Write instruction).
4.  $5 \mu A$  for previous devices identified by process letter P.
5.  $E_i$  inputs should be tied to  $V_{SS}$  (see Section 2.3).
6.  $E_i$  inputs should be tied to  $V_{CC}$  (see Section 2.3).

Table 16. DC characteristics (M24C32-R device grade 6)

| Symbol    | Parameter  | Test conditions <sup>(1)</sup> (in addition to those in <a href="#">Table 8</a> )        | Min.          | Max.             | Unit    |
|-----------|--|--|---------------|------------------|---------|
| $I_{LI}$  | Input leakage current (E0, E1, E2, SCL, SDA)       | $V_{IN} = V_{SS}$ or $V_{CC}$ , device in Standby mode                                   | -             | $\pm 2$          | $\mu A$ |
| $I_{LO}$  | Output leakage current                             | SDA in Hi-Z, external voltage applied on SDA: $V_{SS}$ or $V_{CC}$                       | -             | $\pm 2$          | $\mu A$ |
| $I_{CC}$  | Supply current (Read)                              | $V_{CC} = 1.8 V$ , $f_c = 400 kHz$   | -             | 0.8              | mA      |
|           |  | $f_c = 1 MHz$ <sup>(2)</sup>   | -             | 2.5              | mA      |
| $I_{CC0}$ | Supply current (Write) <sup>(3)</sup>              | During $t_W$<br>$1.8 V \leq V_{CC} \leq 2.5 V$   | -             | 3 <sup>(4)</sup> | mA      |
| $I_{CC1}$ | Standby supply current                             | Device not selected <sup>(5)</sup> ,<br>$V_{IN} = V_{SS}$ or $V_{CC}$ , $V_{CC} = 1.8 V$ | -             | 1                | $\mu A$ |
| $V_{IL}$  | Input low voltage (SCL, SDA) <sup>(6)</sup>        | $1.8 V \leq V_{CC} < 2.5 V$  | -0.45         | $0.25 V_{CC}$    | V       |
| $V_{IH}$  | Input high voltage (SCL, SDA)                      | $1.8 V \leq V_{CC} < 2.5 V$  | $0.75 V_{CC}$ | 6.5              | V       |
|           | Input high voltage (WC, E2, E1, E0) <sup>(7)</sup> | $1.8 V \leq V_{CC} < 2.5 V$  | $0.75 V_{CC}$ | $V_{CC}+1$       | V       |
| $V_{OL}$  | Output low voltage                                 | $I_{OL} = 1 mA$ , $V_{CC} = 1.8 V$   | -             | 0.2              | V       |

1. If the application uses the voltage range R device with  $2.5 V < V_{CC} < 5.5 V$  and  $-40^\circ C < T_A < +85^\circ C$ , please refer to [Table 15](#) instead of this table.
2. Only for devices operating at  $f_c \text{ max} = 1 MHz$  (see note (1) in [Table 20](#)).
3. For devices identified with process letter K or T
4. Characterized value, not tested in production.
5. The device is not selected after power-up, after a Read instruction (after the Stop condition), or after the completion of the internal write cycle  $t_W$  ( $t_W$  is triggered by the correct decoding of a Write instruction).
6.  $E_i$  inputs should be tied to  $V_{SS}$  (see [Section 2.3](#)).
7.  $E_i$  inputs should be tied to  $V_{CC}$  (see [Section 2.3](#)).

Table 17. DC characteristics (M24C32-F, device grade 6)

| Symbol    | Parameter   | Test conditions <sup>(1)</sup> (in addition to those in <a href="#">Table 9</a> )                   | Min.          | Max.             | Unit    |
|-----------|---|---|---------------|------------------|---------|
| $I_{LI}$  | Input leakage current (E1, E2, SCL, SDA)                              | $V_{IN} = V_{SS}$ or $V_{CC}$<br>device in Standby mode   | -             | $\pm 2$          | $\mu A$ |
| $I_{LO}$  | Output leakage current  | SDA in Hi-Z, external voltage applied on SDA: $V_{SS}$ or $V_{CC}$                                  | -             | $\pm 2$          | $\mu A$ |
| $I_{CC}$  | Supply current (Read)   | $V_{CC} = 1.6 V$ or $1.7 V$ , $f_C = 400 kHz$   | -             | 0.8              | mA      |
|           |   | $f_C = 1 MHz$ <sup>(2)</sup>  | -             | 2.5              |         |
| $I_{CC0}$ | Supply current (Write)  | During $t_W$ $V_{CC} < 2.5 V$   | -             | 3 <sup>(3)</sup> | mA      |
| $I_{CC1}$ | Standby supply current  | Device not selected <sup>(4)</sup> ,<br>$V_{IN} = V_{SS}$ or $V_{CC}$ , $V_{CC} = 1.6 V$ or $1.7 V$ | -             | 1                | $\mu A$ |
| $V_{IL}$  | Input low voltage (SCL, SDA, $\overline{WC}$ , $E_i$ ) <sup>(5)</sup> | $V_{CC} < 2.5 V$  | -0.45         | $0.25 V_{CC}$    | V       |
| $V_{IH}$  | Input high voltage (SCL, SDA)   | $V_{CC} < 2.5 V$  | $0.75 V_{CC}$ | 6.5              | V       |
|           | Input high voltage ( $\overline{WC}$ , E2, E1, E0) <sup>(6)</sup>     | $V_{CC} < 2.5 V$  | $0.75 V_{CC}$ | $V_{CC} + 1$     |         |
| $V_{OL}$  | Output low voltage  | $I_{OL} = 1mA$ , $V_{CC} = 1.6 V$ or $1.7 V$  | -             | 0.2              | V       |

1. If the application uses the voltage range F device with  $2.5 V < V_{CC} < 5.5 V$  and  $-40^\circ C < T_A < +85^\circ C$ , please refer to [Table 15](#) instead of this table.
2. Only for devices operating at  $f_C \text{ max} = 1 MHz$  (see note(1) in [Table 20](#)).
3. Characterized value, not tested in production.
4. The device is not selected after power-up, after a Read instruction (after the Stop condition), or after the completion of the internal write cycle  $t_W$  ( $t_W$  is triggered by the correct decoding of a Write instruction).
5.  $E_i$  inputs should be tied to  $V_{SS}$  (see [Section 2.3](#)).
6.  $E_i$  inputs should be tied to  $V_{CC}$  (see [Section 2.3](#)).

Table 18. DC characteristics (M24C32-X, device grade 5)

| Symbol    | Parameter  | Test conditions <sup>(1)</sup> (in addition to those in <a href="#">Table 10</a> )       | Min.          | Max.             | Unit    |
|-----------|--|--|---------------|------------------|---------|
| $I_{LI}$  | Input leakage current (E1, E2, SCL, SDA)                         | $V_{IN} = V_{SS}$ or $V_{CC}$<br>device in Standby mode                                  | -             | $\pm 2$          | $\mu A$ |
| $I_{LO}$  | Output leakage current   | SDA in Hi-Z, external voltage applied on SDA: $V_{SS}$ or $V_{CC}$                       | -             | $\pm 2$          | $\mu A$ |
| $I_{CC}$  | Supply current (Read)  | $V_{CC} = 1.6 V$ , $f_c = 400 kHz$   | -             | 0.8              | mA      |
|           |  | $f_c = 1 MHz$ <sup>(2)</sup>   | -             | 2.5              |         |
| $I_{CC0}$ | Supply current (Write)   | During $t_W$ , $1.6 V < V_{CC} < 2.5 V$  | -             | 3 <sup>(3)</sup> | mA      |
| $I_{CC1}$ | Standby supply current   | Device not selected <sup>(4)</sup> ,<br>$V_{IN} = V_{SS}$ or $V_{CC}$ , $V_{CC} = 1.6 V$ | -             | 1                | $\mu A$ |
| $V_{IL}$  | Input low voltage (SCL, SDA, WC, E <sub>i</sub> ) <sup>(5)</sup> | $1.6 V \leq V_{CC} < 2.5 V$  | -0.45         | $0.25 V_{CC}$    | V       |
| $V_{IH}$  | Input high voltage (SCL, SDA)                                    | $1.6 V \leq V_{CC} < 2.5 V$  | $0.75 V_{CC}$ | 6.5              | V       |
|           | Input high voltage (WC, E2, E1, E0) <sup>(6)</sup>               | $1.6 V \leq V_{CC} < 2.5 V$  | $0.75 V_{CC}$ | $V_{CC} + 0.6$   | V       |
| $V_{OL}$  | Output low voltage   | $I_{OL} = 1 mA$ , $V_{CC} = 1.6 V$   | -             | 0.2              | V       |

1. If the application uses the device with  $2.5 V < V_{CC} < 5.5 V$  and  $-20 ^\circ C < T_A < +85 ^\circ C$ , please refer to [Table 15](#) instead of this table.
2. Only for devices operating at  $f_c \text{ max} = 1 MHz$  (see note<sup>(1)</sup> in [Table 20](#))
3. Characterized value, not tested in production.
4. The device is not selected after power-up, after a Read instruction (after the Stop condition), or after the completion of the internal write cycle  $t_W$  ( $t_W$  is triggered by the correct decoding of a Write instruction).
5. E<sub>i</sub> inputs should be tied to  $V_{SS}$  (see [Section 2.3](#)).
6. E<sub>i</sub> inputs should be tied to  $V_{CC}$  (see [Section 2.3](#)).

Table 19. 400 kHz AC characteristics

| Symbol              | Alt.         | Parameter   | Min.               | Max.               | Unit    |
|---------------------|--------------|---|--------------------|--------------------|---------|
| $f_C$               | $f_{SCL}$    | Clock frequency   | -                  | 400                | kHz     |
| $t_{CHCL}$          | $t_{HIGH}$   | Clock pulse width high  | 600                | -                  | ns      |
| $t_{CLCH}$          | $t_{LOW}$    | Clock pulse width low   | 1300               | -                  | ns      |
| $t_{QL1QL2}^{(1)}$  | $t_F$        | SDA (out) fall time   | 20 <sup>(2)</sup>  | 300                | ns      |
| $t_{XH1XH2}$        | $t_R$        | Input signal rise time  | (3)                | (3)                | ns      |
| $t_{XL1XL2}$        | $t_F$        | Input signal fall time  | (3)                | (3)                | ns      |
| $t_{DXCH}$          | $t_{SU:DAT}$ | Data in set up time   | 100                | -                  | ns      |
| $t_{CLDX}$          | $t_{HD:DAT}$ | Data in hold time   | 0                  | -                  | ns      |
| $t_{CLQX}^{(4)}$    | $t_{DH}$     | Data out hold time  | 100 <sup>(5)</sup> | -                  | ns      |
| $t_{CLQV}^{(6)}$    | $t_{AA}$     | Clock low to next data valid (access time)                        | -                  | 900                | ns      |
| $t_{CHDL}$          | $t_{SU:STA}$ | Start condition setup time  | 600                | -                  | ns      |
| $t_{DLCL}$          | $t_{HD:STA}$ | Start condition hold time   | 600                | -                  | ns      |
| $t_{CHDH}$          | $t_{SU:STO}$ | Stop condition set up time  | 600                | -                  | ns      |
| $t_{DHDL}$          | $t_{BUF}$    | Time between Stop condition and next Start condition              | 1300               | -                  | ns      |
| $t_{WLDL}^{(7)(1)}$ | $t_{SU:WC}$  | $\overline{WC}$ set up time (before the Start condition)          | 0                  | -                  | $\mu$ s |
| $t_{DHWL}^{(8)(1)}$ | $t_{HD:WC}$  | $\overline{WC}$ hold time (after the Stop condition)              | 1                  | -                  | $\mu$ s |
| $t_W$               | $t_{WR}$     | Internal Write cycle duration                                     | -                  | 5 <sup>(9)</sup>   | ms      |
| $t_{NS}^{(1)}$      | -            | Pulse width ignored (input filter on SCL and SDA) - single glitch | -                  | 80 <sup>(10)</sup> | ns      |

1. Characterized only, not tested in production.
2. With  $C_L = 10$  pF.
3. There is no min. or max. values for the input signal rise and fall times. It is however recommended by the I<sup>2</sup>C specification that the input signal rise and fall times be more than 20 ns and less than 300 ns when  $f_C < 400$  kHz.
4. To avoid spurious Start and Stop conditions, a minimum delay is placed between SCL=1 and the falling or rising edge of SDA.
5. The previous products were specified with  $t_{CLQX}$  longer than 50 ns. it should be noted that any  $t_{CLQX}$  value longer than 50ns offers a safe margin when compared to the I2C-bus specification recommendations.
6.  $t_{CLOV}$  is the time (from the falling edge of SCL) required by the SDA bus line to reach either  $0.3V_{CC}$  or  $0.7V_{CC}$ , assuming that  $R_{bus} \times C_{bus}$  time constant is within the values specified in [Figure 13](#).
7.  $\overline{WC}=0$  set up time condition to enable the execution of a WRITE command.
8.  $\overline{WC}=0$  hold time condition to enable the execution of a WRITE command.
9. 10 ms for the M24C32-X.
10. The previous products were specified with  $t_{NS}$  longer than 50ns. it should be noted that the  $t_{NS}(\max) = 50$ ns is the value defined by the I2C-bus specification.

Table 20. 1 MHz AC characteristics

| Symbol              | Alt.         | Parameter <sup>(1)</sup>                                 | Min.              | Max.             | Unit    |
|---------------------|--------------|--|-------------------|------------------|---------|
| $f_C$               | $f_{SCL}$    | Clock frequency  | 0                 | 1                | MHz     |
| $t_{CHCL}$          | $t_{HIGH}$   | Clock pulse width high                                   | 260               | -                | ns      |
| $t_{CLCH}$          | $t_{LOW}$    | Clock pulse width low                                    | 500               | -                | ns      |
| $t_{XH1XH2}$        | $t_R$        | Input signal rise time                                   | (2)               | (2)              | ns      |
| $t_{XL1XL2}$        | $t_F$        | Input signal fall time                                   | (2)               | (2)              | ns      |
| $t_{QL1QL2}^{(3)}$  | $t_F$        | SDA (out) fall time                                      | 20 <sup>(4)</sup> | 120              | ns      |
| $t_{DXCH}$          | $t_{SU:DAT}$ | Data in setup time                                       | 50                | -                | ns      |
| $t_{CLDX}$          | $t_{HD:DAT}$ | Data in hold time  | 0                 | -                | ns      |
| $t_{CLQX}^{(5)}$    | $t_{DH}$     | Data out hold time                                       | 100               | -                | ns      |
| $t_{CLQV}^{(6)}$    | $t_{AA}$     | Clock low to next data valid (access time)               | -                 | 450              | ns      |
| $t_{CHDL}$          | $t_{SU:STA}$ | Start condition setup time                               | 250               | -                | ns      |
| $t_{DLCL}$          | $t_{HD:STA}$ | Start condition hold time                                | 250               | -                | ns      |
| $t_{CHDH}$          | $t_{SU:STO}$ | Stop condition setup time                                | 250               | -                | ns      |
| $t_{DHDL}$          | $t_{BUF}$    | Time between Stop condition and next Start condition     | 500               | -                | ns      |
| $t_{WLDL}^{(7)(3)}$ | $t_{SU:WC}$  | $\overline{WC}$ set up time (before the Start condition) | 0                 | -                | $\mu$ s |
| $t_{DHWL}^{(8)(3)}$ | $t_{HD:WC}$  | $\overline{WC}$ hold time (after the Stop condition)     | 1                 | -                | $\mu$ s |
| $t_W$               | $t_{WR}$     | Write time   | -                 | 5 <sup>(9)</sup> | ms      |
| $t_{NS}^{(3)}$      | -            | Pulse width ignored (input filter on SCL and SDA)        | -                 | 80               | ns      |

1. Only for devices identified by the process letter K or T (devices qualified at 1 MHz).
2. There is no min. or max. values for the input signal rise and fall times. It is however recommended by the I<sup>2</sup>C specification that the input signal rise and fall times be less than 120 ns when  $f_C < 1$  MHz.
3. Characterized only, not tested in production.
4. With  $C_L = 10$  pF.
5. To avoid spurious Start and Stop conditions, a minimum delay is placed between SCL=1 and the falling or rising edge of SDA.
6.  $t_{CLQV}$  is the time (from the falling edge of SCL) required by the SDA bus line to reach either  $0.3 V_{CC}$  or  $0.7 V_{CC}$ , assuming that the  $R_{bus} \times C_{bus}$  time constant is within the values specified in [Figure 14](#).
7.  $\overline{WC}=0$  set up time condition to enable the execution of a WRITE command.
8.  $\overline{WC}=0$  hold time condition to enable the execution of a WRITE command.
9. 10 ms for the M24C32-X.

Figure 13. Maximum  $R_{bus}$  value versus bus parasitic capacitance ( $C_{bus}$ ) for an I2C bus at maximum frequency  $f_C = 400$  kHz



Figure 14. Maximum  $R_{bus}$  value versus bus parasitic capacitance ( $C_{bus}$ ) for an I2C bus at maximum frequency  $f_C = 1$  MHz





Figure 15. AC waveforms



## 9 Package information

In order to meet environmental requirements, ST offers these devices in different grades of ECOPACK® packages, depending on their level of environmental compliance. ECOPACK® specifications, grade definitions and product status are available at: [www.st.com](http://www.st.com). ECOPACK® is an ST trademark.

For die information concerning the M24C32 delivered in unsawn wafer, please contact your nearest ST Sales Office.

### 9.1 UFDFPN5 (DFN5) package information

Figure 16. UFDFPN5 – 1.7x1.4 mm, 0.55 mm thickness, ultra thin fine pitch dual flat package, no lead - package outline



1. On the bottom side, pin 1 is identified by the specific pad shape and, on the top side, pin 1 is defined from the orientation of the marking: when reading the marking, pin 1 is below the upper left package corner.

Table 21. UFDFPN5 - 1.7 × 1.4 mm, 0.55 mm thickness, ultra thin fine pitch dual flat package, no lead - package mechanical data

| Symbol           | millimeters |       |       | inches <sup>(1)</sup> |        |        |
|------------------|-------------|-------|-------|-----------------------|--------|--------|
|                  | Min         | Typ   | Max   | Min                   | Typ    | Max    |
| A                | 0.500       | 0.550 | 0.600 | 0.0197                | 0.0217 | 0.0236 |
| A1               | 0.000       | -     | 0.050 | 0.0000                | -      | 0.0020 |
| b <sup>(2)</sup> | 0.175       | 0.200 | 0.225 | 0.0069                | 0.0079 | 0.0089 |
| D                | 1.600       | 1.700 | 1.800 | 0.0630                | 0.0669 | 0.0709 |
| D1               | 1.400       | 1.500 | 1.600 | 0.0551                | 0.0591 | 0.0630 |
| E                | 1.300       | 1.400 | 1.500 | 0.0512                | 0.0551 | 0.0591 |
| E1               | 0.175       | 0.200 | 0.225 | 0.0069                | 0.0079 | 0.0089 |
| X                | -           | 0.200 | -     | -                     | 0.0079 | -      |

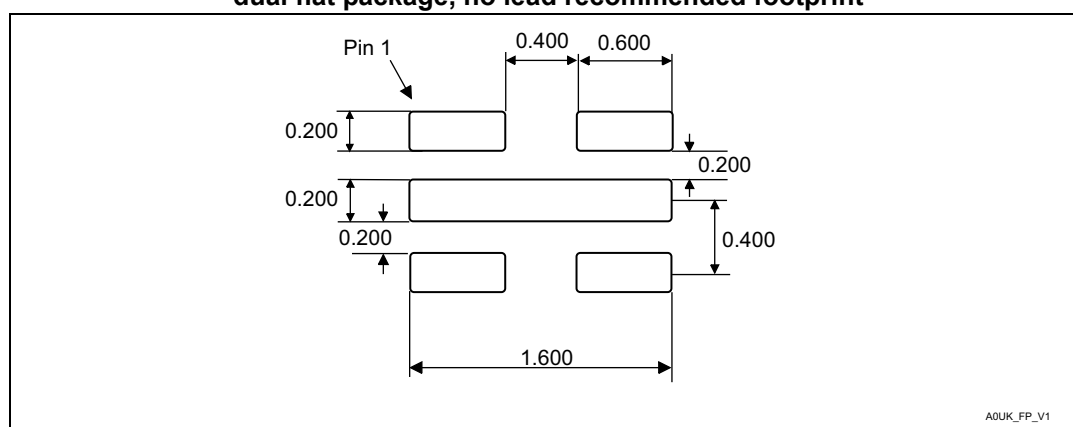
**Table 21. UFDFPN5 - 1.7 × 1.4 mm, 0.55 mm thickness, ultra thin fine pitch dual flat package, no lead - package mechanical data (continued)**

| Symbol | millimeters |       |       | inches <sup>(1)</sup> |        |        |
|--------|-------------|-------|-------|-----------------------|--------|--------|
|        | Min         | Typ   | Max   | Min                   | Typ    | Max    |
| Y      | -           | 0.200 | -     | -                     | 0.0079 | -      |
| e      | -           | 0.400 | -     | -                     | 0.0157 | -      |
| L      | 0.500       | 0.550 | 0.600 | 0.0197                | 0.0217 | 0.0236 |
| L1     | -           | 0.100 | -     | -                     | 0.0039 | -      |
| k      | -           | 0.400 | -     | -                     | 0.0157 | -      |

1. Values in inches are converted from mm and rounded to 4 decimal digits.

2. Dimension b applies to plated terminal and is measured between 0.15 and 0.30mm from the terminal tip.

**Figure 17. UFDFPN5 - 5-lead, 1.7 × 1.4 mm, 0.55 mm thickness, ultra thin fine pitch dual flat package, no lead recommended footprint**



1. Dimensions are expressed in millimeters.

## 9.2 UFDFPN8 (DFN8) package information

Figure 18. UFDFPN8 – 2x3 mm, 0.55 thickness, ultra thin fine pitch dual flat package, no lead - package outline



1. Drawing is not to scale.
2. The central pad (the area E2 by D2 in the above illustration) must be either connected to V<sub>SS</sub> or left floating (not connected) in the end application.

Table 22. UFDFPN8 – 2x3 mm, 0.55 thickness, ultra thin fine pitch dual flat package, no lead - package mechanical data

| Symbol             | millimeters |       |       | inches <sup>(1)</sup> |        |        |
|--------------------|-------------|-------|-------|-----------------------|--------|--------|
|                    | Min         | Typ   | Max   | Min                   | Typ    | Max    |
| A                  | 0.450       | 0.550 | 0.600 | 0.0177                | 0.0217 | 0.0236 |
| A1                 | 0.000       | 0.020 | 0.050 | 0.0000                | 0.0008 | 0.0020 |
| b                  | 0.200       | 0.250 | 0.300 | 0.0079                | 0.0098 | 0.0118 |
| D                  | 1.900       | 2.000 | 2.100 | 0.0748                | 0.0787 | 0.0827 |
| D2                 | 1.200       | -     | 1.600 | 0.0472                | -      | 0.0630 |
| E                  | 2.900       | 3.000 | 3.100 | 0.1142                | 0.1181 | 0.1220 |
| E2                 | 1.200       | -     | 1.600 | 0.0472                | -      | 0.0630 |
| e                  | -           | 0.500 | -     | -                     | 0.0197 | -      |
| K                  | 0.300       | -     | -     | 0.0118                | -      | -      |
| L                  | 0.300       | -     | 0.500 | 0.0118                | -      | 0.0197 |
| L1                 | -           | -     | 0.150 | -                     | -      | 0.0059 |
| L3                 | 0.300       | -     | -     | 0.0118                | -      | -      |
| eee <sup>(2)</sup> | 0.080       | -     | -     | 0.0031                | -      | -      |

1. Values in inches are converted from mm and rounded to four decimal digits.
2. Applied for exposed die paddle and terminals. Exclude embedding part of exposed die paddle from measuring.

### 9.3 TSSOP8 package information

Figure 19. TSSOP8 – 3x4.4 mm, 0.65 mm pitch, 8-lead thin shrink small outline, package outline



1. Drawing is not to scale.

Table 23. TSSOP8 – 3 x 4.4 mm, 0.65 mm pitch, 8-lead thin shrink small outline, package mechanical data

| Symbol | millimeters |       |       | inches <sup>(1)</sup> |        |        |
|--------|-------------|-------|-------|-----------------------|--------|--------|
|        | Min.        | Typ.  | Max.  | Min.                  | Typ.   | Max.   |
| A      | -           | -     | 1.200 | -                     | -      | 0.0472 |
| A1     | 0.050       | -     | 0.150 | 0.0020                | -      | 0.0059 |
| A2     | 0.800       | 1.000 | 1.050 | 0.0315                | 0.0394 | 0.0413 |
| b      | 0.190       | -     | 0.300 | 0.0075                | -      | 0.0118 |
| c      | 0.090       | -     | 0.200 | 0.0035                | -      | 0.0079 |
| CP     | -           | -     | 0.100 | -                     | -      | 0.0039 |
| D      | 2.900       | 3.000 | 3.100 | 0.1142                | 0.1181 | 0.1220 |
| e      | -           | 0.650 | -     | -                     | 0.0256 | -      |
| E      | 6.200       | 6.400 | 6.600 | 0.2441                | 0.2520 | 0.2598 |
| E1     | 4.300       | 4.400 | 4.500 | 0.1693                | 0.1732 | 0.1772 |
| L      | 0.450       | 0.600 | 0.750 | 0.0177                | 0.0236 | 0.0295 |
| L1     | -           | 1.000 | -     | -                     | 0.0394 | -      |
| α      | 0°          | -     | 8°    | 0°                    | -      | 8°     |

1. Values in inches are converted from mm and rounded to four decimal digits.

### 9.4 SO8N package information

Figure 20. SO8N – 3.9x4.9 mm, 8-lead plastic small outline, 150 mils body width, package outline



1. Drawing is not to scale.

Table 24. SO8N – 3.9x4.9 mm, 8-lead plastic small outline, 150 mils body width, package mechanical data

| Symbol | millimeters |       |       | inches <sup>(1)</sup> |        |        |
|--------|-------------|-------|-------|-----------------------|--------|--------|
|        | Min.        | Typ.  | Max.  | Min.                  | Typ.   | Max.   |
| A      | -           | -     | 1.750 | -                     | -      | 0.0689 |
| A1     | 0.100       | -     | 0.250 | 0.0039                | -      | 0.0098 |
| A2     | 1.250       | -     | -     | 0.0492                | -      | -      |
| b      | 0.280       | -     | 0.480 | 0.0110                | -      | 0.0189 |
| c      | 0.170       | -     | 0.230 | 0.0067                | -      | 0.0091 |
| D      | 4.800       | 4.900 | 5.000 | 0.1890                | 0.1929 | 0.1969 |
| E      | 5.800       | 6.000 | 6.200 | 0.2283                | 0.2362 | 0.2441 |
| E1     | 3.800       | 3.900 | 4.000 | 0.1496                | 0.1535 | 0.1575 |
| e      | -           | 1.270 | -     | -                     | 0.0500 | -      |
| h      | 0.250       | -     | 0.500 | 0.0098                | -      | 0.0197 |
| k      | 0°          | -     | 8°    | 0°                    | -      | 8°     |
| L      | 0.400       | -     | 1.270 | 0.0157                | -      | 0.0500 |
| L1     | -           | 1.040 | -     | -                     | 0.0409 | -      |
| ccc    | -           | -     | 0.100 | -                     | -      | 0.0039 |

1. Values in inches are converted from mm and rounded to four decimal digits.

Figure 21. SO8N – 3.9x4.9 mm, 8-lead plastic small outline, 150 mils body width, package recommended footprint



1. Dimensions are expressed in millimeters.

### 9.5 PDIP8 package information

Figure 22. PDIP8 – 8-pin plastic DIP, 0.25 mm lead frame, package outline



1. Drawing is not to scale.
2. Not recommended for new designs.

Table 25. PDIP8 – 8-pin plastic DIP, 0.25 mm lead frame, package mechanical data

| Symbol | millimeters |      |       | inches <sup>(1)</sup> |        |        |
|--------|-------------|------|-------|-----------------------|--------|--------|
|        | Min.        | Typ. | Max.  | Min.                  | Typ.   | Max.   |
| A      | -           | -    | 5.33  | -                     | -      | 0.2098 |
| A1     | 0.38        | -    | -     | 0.0150                | -      | -      |
| A2     | 2.92        | 3.30 | 4.95  | 0.1150                | 0.1299 | 0.1949 |
| b      | 0.36        | 0.46 | 0.56  | 0.0142                | 0.0181 | 0.0220 |
| b2     | 1.14        | 1.52 | 1.78  | 0.0449                | 0.0598 | 0.0701 |
| c      | 0.20        | 0.25 | 0.36  | 0.0079                | 0.0098 | 0.0142 |
| D      | 9.02        | 9.27 | 10.16 | 0.3551                | 0.3650 | 0.4000 |
| E      | 7.62        | 7.87 | 8.26  | 0.3000                | 0.3098 | 0.3252 |
| E1     | 6.10        | 6.35 | 7.11  | 0.2402                | 0.2500 | 0.2799 |
| e      | -           | 2.54 | -     | -                     | 0.1000 | -      |
| eA     | -           | 7.62 | -     | -                     | 0.3000 | -      |
| eB     | -           | -    | 10.92 | -                     | -      | 0.4299 |
| L      | 2.92        | 3.30 | 3.81  | 0.1150                | 0.1299 | 0.1500 |

1. Values in inches are converted from mm and rounded to four decimal digits.



### 9.6 Ultra Thin WLCSP package information

Figure 23. Ultra Thin WLCSP- 4-bump, 0.795 x 0.674 mm, wafer level chip scale package outline



1. Drawing is not to scale.
2. Primary datum Z and seating plane are defined by the spherical crowns of the bump.
3. Side view

Table 26. Ultra Thin WLCSP- 4-bump, 0.795 x 0.674 mm, wafer level chip scale package mechanical data

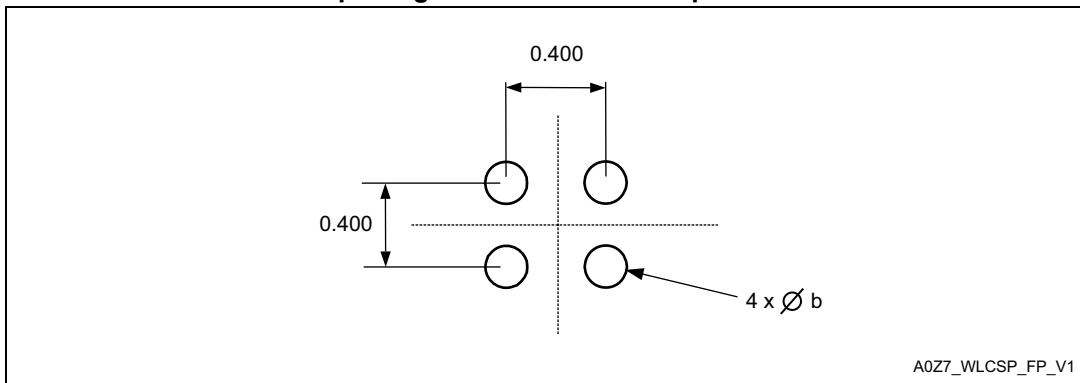
| Symbol           | millimeters |       |       | inches <sup>(1)</sup> |        |        |
|------------------|-------------|-------|-------|-----------------------|--------|--------|
|                  | Min         | Typ   | Max   | Min                   | Typ    | Max    |
| A                | 0.260       | 0.290 | 0.320 | 0.0102                | 0.0114 | 0.0126 |
| A1               | -           | 0.115 | -     | -                     | 0.0045 | -      |
| A2               | -           | 0.175 | -     | -                     | 0.0069 | -      |
| b <sup>(2)</sup> | -           | 0.160 | -     | -                     | 0.0063 | -      |
| D                | -           | 0.795 | 0.815 | -                     | 0.0313 | 0.0321 |
| E                | -           | 0.674 | 0.694 | -                     | 0.0265 | 0.0273 |
| e                | -           | 0.400 | -     | -                     | 0.0157 | -      |
| F                | -           | 0.137 | -     | -                     | 0.0054 | -      |
| G                | -           | 0.198 | -     | -                     | 0.0078 | -      |
| aaa              | -           | -     | 0.110 | -                     | -      | 0.0043 |

**Table 26. Ultra Thin WLCSP- 4-bump, 0.795 x 0.674 mm, wafer level chip scale package mechanical data (continued)**

|     |   |   |       |   |   |        |
|-----|---|---|-------|---|---|--------|
| bbb | - | - | 0.110 | - | - | 0.0043 |
| ccc | - | - | 0.110 | - | - | 0.0043 |
| ddd | - | - | 0.060 | - | - | 0.0024 |
| eee | - | - | 0.060 | - | - | 0.0024 |

1. Values in inches are converted from mm and rounded to 4 decimal digits.
2. Dimension is measured at the maximum bump diameter parallel to primary datum Z.

**Figure 24. Thin WLCSP- 4-bump, 0.795 x 0.674 mm, wafer level chip scale package recommended footprint**



1. Dimensions are expressed in millimeters.

Figure 25. Ultra Thin WLCSP- 4-bump, 0.795 x 0.674 mm, with BSC, wafer level chip scale package outline



1. Drawing is not to scale.
2. Primary datum Z and seating plane are defined by the spherical crowns of the bump.

Table 27. Ultra Thin WLCSP- 4-bump, 0.795 x 0.674 mm, with BSC, wafer level chip scale package mechanical data

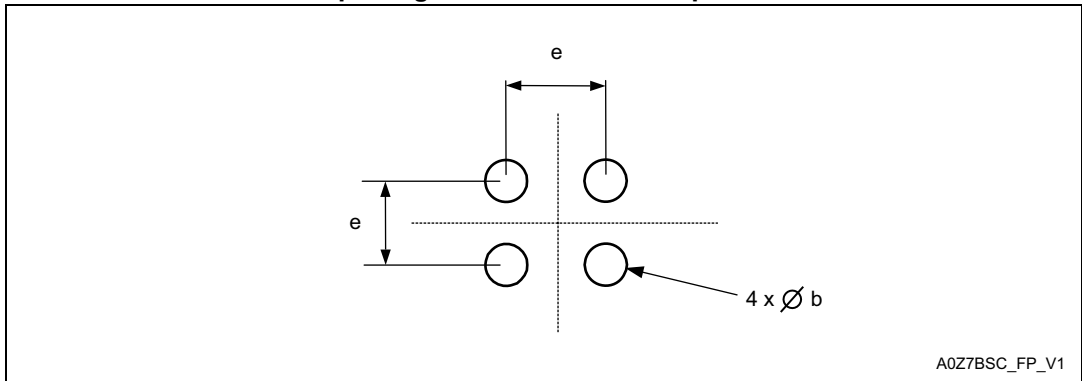
| Symbol               | millimeters |       |       | inches <sup>(1)</sup> |        |        |
|----------------------|-------------|-------|-------|-----------------------|--------|--------|
|                      | Min         | Typ   | Max   | Min                   | Typ    | Max    |
| A                    | 0.285       | 0.315 | 0.345 | 0.0112                | 0.0124 | 0.0136 |
| A1                   | -           | 0.115 | -     | -                     | 0.0045 | -      |
| A2                   | -           | 0.175 | -     | -                     | 0.0069 | -      |
| A3 (BSC)             | -           | 0.025 | -     | -                     | 0.0010 | -      |
| b <sup>(2) (3)</sup> | -           | 0.160 | -     | -                     | 0.0063 | -      |
| D                    | -           | 0.795 | 0.815 | -                     | 0.0313 | 0.0321 |
| E                    | -           | 0.674 | 0.694 | -                     | 0.0265 | 0.0273 |
| e                    | -           | 0.400 | -     | -                     | 0.0157 | -      |
| F                    | -           | 0.137 | -     | -                     | 0.0054 | -      |
| G                    | -           | 0.198 | -     | -                     | 0.0078 | -      |
| aaa                  | -           | -     | 0.110 | -                     | -      | 0.0043 |
| bbb                  | -           | -     | 0.110 | -                     | -      | 0.0043 |

**Table 27. Ultra Thin WLCSP- 4-bump, 0.795 x 0.674 mm, with BSC, wafer level chip scale package mechanical data (continued)**

|     |   |   |       |   |   |        |
|-----|---|---|-------|---|---|--------|
| ccc | - | - | 0.110 | - | - | 0.0043 |
| ddd | - | - | 0.060 | - | - | 0.0024 |
| eee | - | - | 0.060 | - | - | 0.0024 |

1. Values in inches are converted from mm and rounded to 4 decimal digits.
2. Dimension is measured at the maximum bump diameter parallel to primary datum Z.
3. Primary datum Z and seating plane are defined by the spherical crowns of the bump.

**Figure 26. Thin WLCSP- 4-bump, 0.795 x 0.674 mm, wafer level chip scale package recommended footprint**



1. Dimensions are expressed in millimeters.

# 10 Ordering information

**Table 28. Ordering information scheme**

| Example:  | M24C32 | -D | W | MC | 6 | T | P | /T | F |
|---|--------|----|---|----|---|---|---|----|---|
| <b>Device type</b>  |        |    |   |    |   |   |   |    |   |
| M24 = I <sup>2</sup> C serial access EEPROM                             |        |    |   |    |   |   |   |    |   |
| <b>Device function</b>  |        |    |   |    |   |   |   |    |   |
| C32 = 32 Kbit (4096 x 8 bit)  |        |    |   |    |   |   |   |    |   |
| <b>Device family</b>  |        |    |   |    |   |   |   |    |   |
| Blank = Without Identification page                                     |        |    |   |    |   |   |   |    |   |
| D = With Identification page  |        |    |   |    |   |   |   |    |   |
| <b>Operating voltage</b>  |        |    |   |    |   |   |   |    |   |
| W = V <sub>CC</sub> = 2.5 V to 5.5 V                                    |        |    |   |    |   |   |   |    |   |
| R = V <sub>CC</sub> = 1.8 V to 5.5 V                                    |        |    |   |    |   |   |   |    |   |
| F = V <sub>CC</sub> = 1.7 V to 5.5 V                                    |        |    |   |    |   |   |   |    |   |
| X = V <sub>CC</sub> = 1.6 V to 5.5 V                                    |        |    |   |    |   |   |   |    |   |
| <b>Package</b>  |        |    |   |    |   |   |   |    |   |
| BN = PDIP8 <sup>(1)</sup>   |        |    |   |    |   |   |   |    |   |
| MN = SO8 (150 mil width) <sup>(2)</sup>                                 |        |    |   |    |   |   |   |    |   |
| DW = TSSOP8 (169 mil width) <sup>(2)</sup>                              |        |    |   |    |   |   |   |    |   |
| MC = UFDFPN8 (DFN8) <sup>(2)</sup>                                      |        |    |   |    |   |   |   |    |   |
| MH = UFDFPN5 (DFN5) <sup>(2)</sup>                                      |        |    |   |    |   |   |   |    |   |
| CU = Ultra-thin 4 bump WLCSP <sup>(2)</sup>                             |        |    |   |    |   |   |   |    |   |
| <b>Device grade</b>   |        |    |   |    |   |   |   |    |   |
| 5 = Consumer: device tested with standard test flow over -20 to 85°C    |        |    |   |    |   |   |   |    |   |
| 6 = Industrial: device tested with standard test flow over -40 to 85 °C |        |    |   |    |   |   |   |    |   |
| <b>Option</b>   |        |    |   |    |   |   |   |    |   |
| T = Tape and reel packing   |        |    |   |    |   |   |   |    |   |
| blank = tube packing  |        |    |   |    |   |   |   |    |   |
| <b>Plating technology</b>   |        |    |   |    |   |   |   |    |   |
| P or G = ECOPACK2®  |        |    |   |    |   |   |   |    |   |
| <b>Process</b> <sup>(3) (4)</sup>                                       |        |    |   |    |   |   |   |    |   |
| /P or /K or /T= Manufacturing technology code                           |        |    |   |    |   |   |   |    |   |
| <b>Option</b>   |        |    |   |    |   |   |   |    |   |
| Blank = No Back Side Coating  |        |    |   |    |   |   |   |    |   |
| F = Back Side Coating (WLCSP height = 0.345mm)                          |        |    |   |    |   |   |   |    |   |

1. RoHS-compliant (ECOPACK1®)
2. RoHS compliant and free of brominated, chlorinated and antimony-oxide flame retardants
3. These process letters appear on the device package (marking) and on the shipment box. Please contact your nearest ST Sales Office for further information.
4. Part numbering for WLCSP

**Table 29. Ordering information scheme (unsawn wafer)<sup>(1)</sup>**

|   |        |   |   |   |   |    |   |     |
|---|--------|---|---|---|---|----|---|-----|
| Example:                                    | M24C32 | - | F | T | W | 20 | I | /90 |
| <b>Device type</b>                          |        |   |   |   |   |    |   |     |
| M24 = I <sup>2</sup> C serial access EEPROM |        |   |   |   |   |    |   |     |
| <b>Device function</b>                      |        |   |   |   |   |    |   |     |
| C32 = 32 Kbit (4096 x 8 bit)                |        |   |   |   |   |    |   |     |
| <b>Operating voltage</b>                    |        |   |   |   |   |    |   |     |
| F = V <sub>CC</sub> = 1.7 V to 5.5 V        |        |   |   |   |   |    |   |     |
| <b>Process</b>                              |        |   |   |   |   |    |   |     |
| T = F8H                                     |        |   |   |   |   |    |   |     |
| <b>Delivery form</b>                        |        |   |   |   |   |    |   |     |
| W = Wafer (bare die)                        |        |   |   |   |   |    |   |     |
| <b>Wafer thickness</b>                      |        |   |   |   |   |    |   |     |
| 20 = Non-backlapped wafer                   |        |   |   |   |   |    |   |     |
| <b>Wafer testing</b>                        |        |   |   |   |   |    |   |     |
| I = Inkless test                            |        |   |   |   |   |    |   |     |
| <b>Device grade</b>                         |        |   |   |   |   |    |   |     |
| 90 = -40°C to 85°C                          |        |   |   |   |   |    |   |     |

1. For all information concerning the M24C32 delivered in unsawn wafer, please contact your nearest ST Sales Office.

**Engineering samples**

Parts marked as ES or E are not yet qualified and therefore not approved for use in production. ST is not responsible for any consequences deriving from such use. In no event, will ST be liable for the customer using of these engineering samples in production. ST's quality department must be contacted prior to any decision to use these engineering samples to run qualification activity.

# 11 Revision history

**Table 30. Document revision history**

| Date        | Revision | Changes  |
|-------------|----------|--|
| 18-Mar-2011 | 18       | <p><b>Added:</b></p> <ul style="list-style-type: none"> <li>– M24C32-DF and all information concerning the Identification Page: sections <a href="#">4.9</a>, <a href="#">4.10</a>, <a href="#">4.17</a>, <a href="#">4.18</a></li> <li>– ECC section <a href="#">4.11</a></li> <li>– AC table with clock frequency of 1 MHz (<a href="#">Table 18</a>)</li> <li>– <a href="#">Table 4: Device select code</a></li> </ul> <p><b>Updated:</b></p> <ul style="list-style-type: none"> <li>– <a href="#">Section 1: Description</a></li> <li>– <a href="#">Section 4.5: Memory addressing</a></li> <li>– <a href="#">Section 4.18: Read the lock status (M24C32-D)</a></li> <li>– <a href="#">Table 6: Absolute maximum ratings</a></li> <li>– AC/DC tables <a href="#">13</a>, <a href="#">17</a> with values specific to the device identified with process letter K</li> </ul> <p><b>Deleted:</b></p> <ul style="list-style-type: none"> <li>– <a href="#">Table 2: Device select code</a></li> <li>– <a href="#">Table 23: Available M24C32 products (package, voltage range, temperature grade)</a></li> </ul> |
| 14-Sep-2011 | 19       | <p><b>Updated:</b></p> <ul style="list-style-type: none"> <li>– <a href="#">Figure 4: I2C Fast mode (fC = 400 kHz): maximum Rbus value versus bus parasitic capacitance (Cbus)</a></li> <li>– <a href="#">Figure 5: I2C Fast mode Plus (fC = 1 MHz): maximum Rbus value versus bus parasitic capacitance (Cbus)</a></li> </ul> <p>Added <math>t_{WLDL}</math> and <math>t_{DHWL}</math> in:</p> <ul style="list-style-type: none"> <li>– <a href="#">Table 17: 400 kHz AC characteristics</a></li> <li>– <a href="#">Table 18: 1 MHz AC characteristics</a></li> <li>– <a href="#">Figure 13: AC waveforms</a></li> </ul> <p>Minor text changes.</p>   |
| 21-May-2012 | 20       | <p>Datasheet split into:</p> <ul style="list-style-type: none"> <li>– M24C32-DF, M24C32-W, M24C32-R, M24C32-F (this datasheet) for standard products (range 6),</li> <li>– M24C32-125 datasheet for automotive products (range 3).</li> </ul>  |
| 25-Jul-2012 | 21       | <p>Added reference M24C32-X.</p> <p><b>Updated:</b></p> <ul style="list-style-type: none"> <li>– AC and DC tables in <a href="#">Section 8: DC and AC parameters</a>.</li> <li>– <a href="#">Figure 56.: M24C16-FCS5TP/S WLCSP 5 bumps package outline</a>.</li> </ul>   |



Table 30. Document revision history (continued)

| Date         | Revision | Changes   |
|--------------|----------|---|
| 19-May-2014  | 22       | Add new package UFDFPN5, description on <a href="#">Figure 51</a> and <a href="#">Table 20</a> .<br>Updated:<br>– <a href="#">Figure 30: Block diagram</a><br>– $V_{ESD}$ value on <a href="#">Table 14</a><br>– $I_{CC1}$ values on <a href="#">Table 32</a><br>– $I_{CC}$ and $I_{CC0}$ test conditions on <a href="#">Table 40</a><br>– $V_{IH(max)}$ values on <a href="#">Table 32</a> , <a href="#">Table 33</a><br>– $I_{CC}$ , $I_{CC0}$ , $I_{CC1}$ , $V_{IL}$ , $V_{OL}$ and $V_{IH}$ test conditions on <a href="#">Table 40</a><br>– Note on <a href="#">Table 29</a> , <a href="#">Table 31</a> , <a href="#">Table 32</a> , <a href="#">Table 40</a> , <a href="#">Table 41</a> and <a href="#">Table 48</a><br>– <a href="#">Table 76</a><br>– Section numbering for <a href="#">Section 5.2.5</a> and <a href="#">Section 5.2.6</a> . |
| 28-Jul-2014  | 23       | Updated <a href="#">Table 21</a> .  |
| 02-Sept-2014 | 24       | Updated<br>– <a href="#">Section 5.1.6</a> .<br>– Note 1 on <a href="#">Table 29</a><br>– <a href="#">Section 9</a> , added reference to unsawn wafer availability.<br>– note 3 on <a href="#">Table 76</a> .<br>Added:<br>– Note 1 on <a href="#">Table 21</a><br>– Note 2 on <a href="#">Table 31</a><br>– Note 2 on <a href="#">Figure 58</a><br>– <a href="#">Table 90</a> .<br>Removed notes 1 and 2 on <a href="#">Section 5.1.6</a>  |
| 23-Jul-2015  | 25       | Updated:<br>– <a href="#">Section 2.4</a><br>– <a href="#">Section 6</a><br>– <a href="#">Table 76</a><br>– note 2 on <a href="#">Table 76</a><br>Added:<br>– WLCSP package in cover page.<br>– <a href="#">Section 9.7: Ultra Thin WLCSP package information</a>   |
| 27-Aug-2015  | 26       | Updated:<br>– <a href="#">Table 14</a><br>Added:<br>– Note 3 in <a href="#">Figure 59</a> .<br>– Note 1 in <a href="#">Table 60</a> .<br>– Note 2 <a href="#">Table 76</a>  |
| 12-Feb-2016  | 27       | Updated <a href="#">Figure 17</a> , <a href="#">Figure 51</a> . Added <a href="#">Table 2</a> .   |
| 05-May-2016  | 28       | Updated <a href="#">Table 14: Absolute maximum ratings</a> .  |

Table 30. Document revision history (continued)

| Date        | Revision | Changes  |
|-------------|----------|--|
| 10-Jul-2017 | 29       | Updated <a href="#">Section 9.6: Ultra Thin WLCSP package information</a>  |
| 11-Sep-2017 | 30       | Added reference to DFN8 and DFN5 in: cover page figure, <a href="#">Figure 3: UFDFPN5 (DFN5) package connections</a> , <a href="#">Section 9.1: UFDFPN5 (DFN5) package information</a> , <a href="#">Section 9.2: UFDFPN8 (DFN8) package information</a> and <a href="#">Table 28: Ordering information scheme</a> |

**IMPORTANT NOTICE – PLEASE READ CAREFULLY**

STMicroelectronics NV and its subsidiaries ("ST") reserve the right to make changes, corrections, enhancements, modifications, and improvements to ST products and/or to this document at any time without notice. Purchasers should obtain the latest relevant information on ST products before placing orders. ST products are sold pursuant to ST's terms and conditions of sale in place at the time of order acknowledgement.

Purchasers are solely responsible for the choice, selection, and use of ST products and ST assumes no liability for application assistance or the design of Purchasers' products.

No license, express or implied, to any intellectual property right is granted by ST herein.

Resale of ST products with provisions different from the information set forth herein shall void any warranty granted by ST for such product.

ST and the ST logo are trademarks of ST. All other product or service names are the property of their respective owners.

Information in this document supersedes and replaces information previously supplied in any prior versions of this document.

© 2017 STMicroelectronics – All rights reserved

