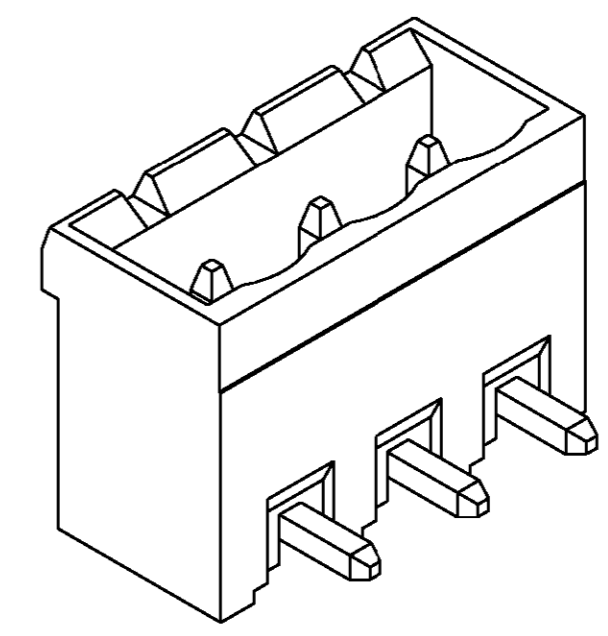
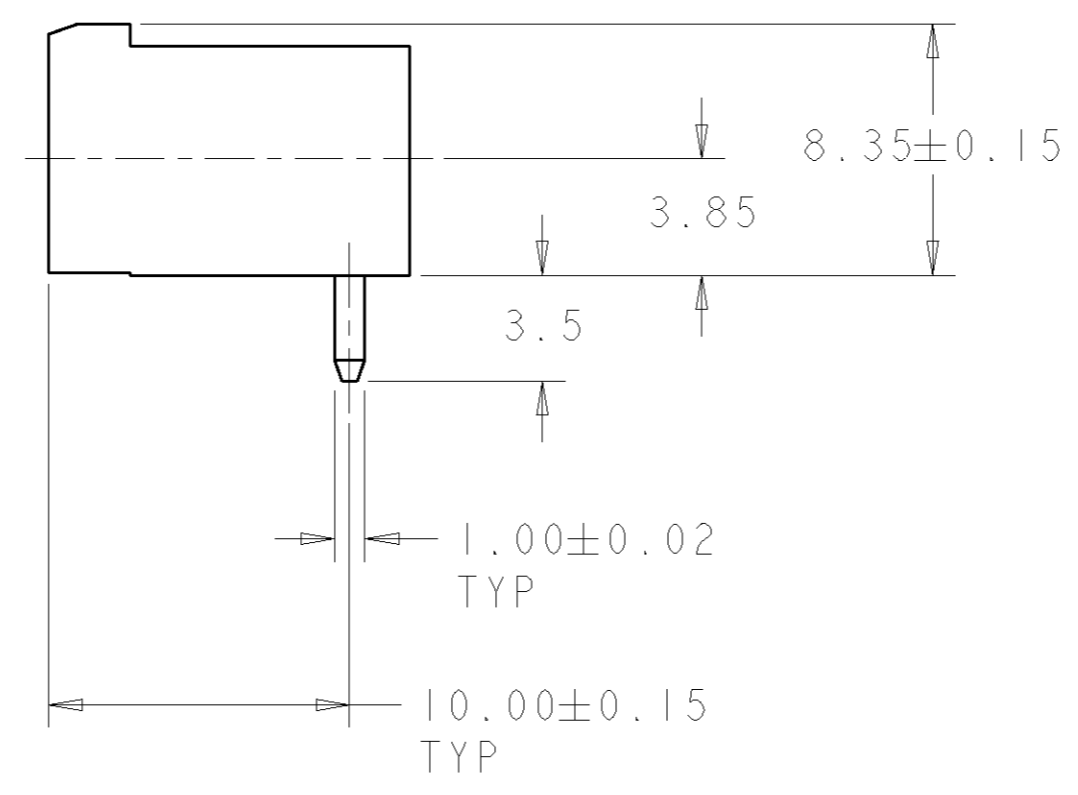
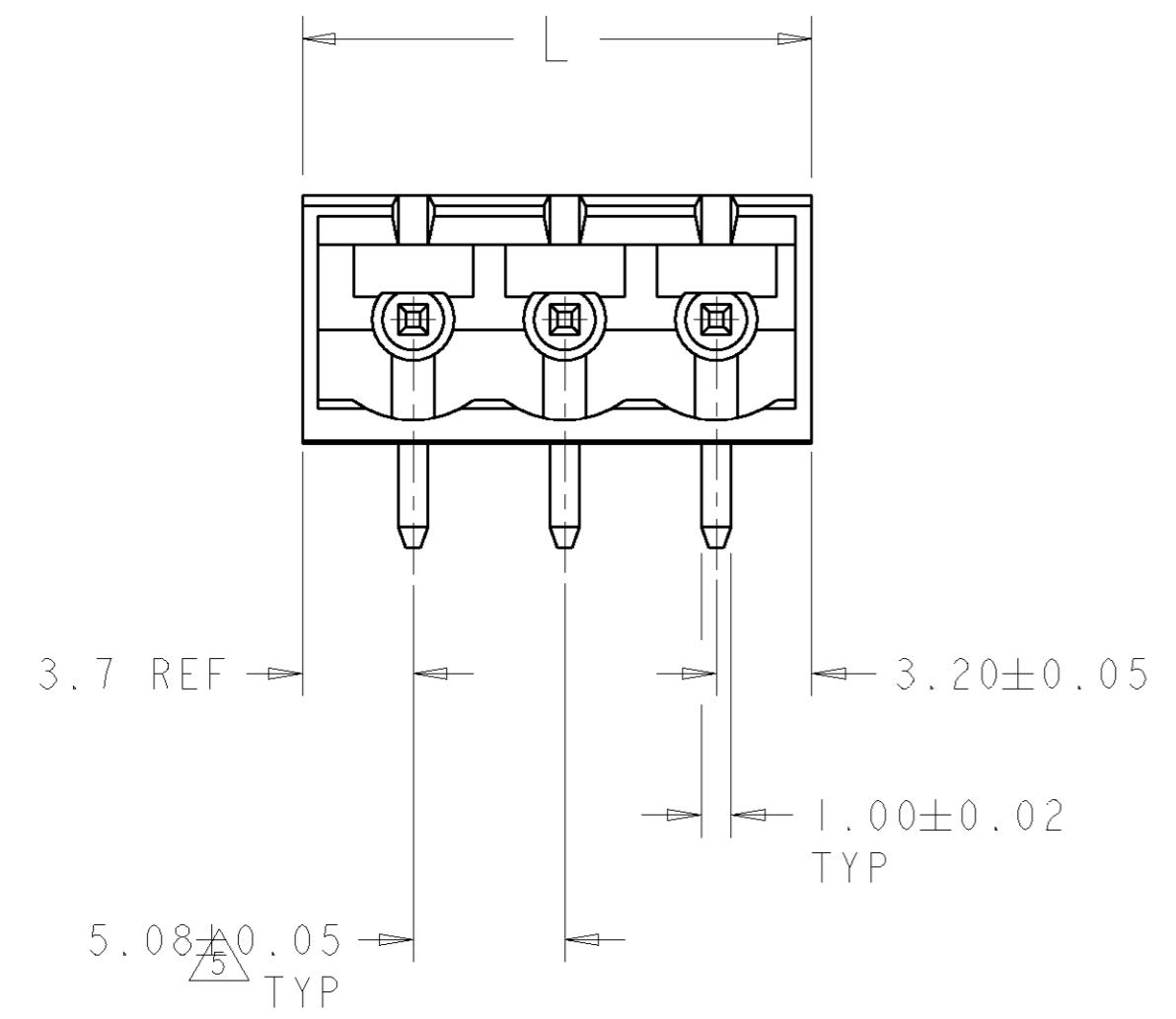


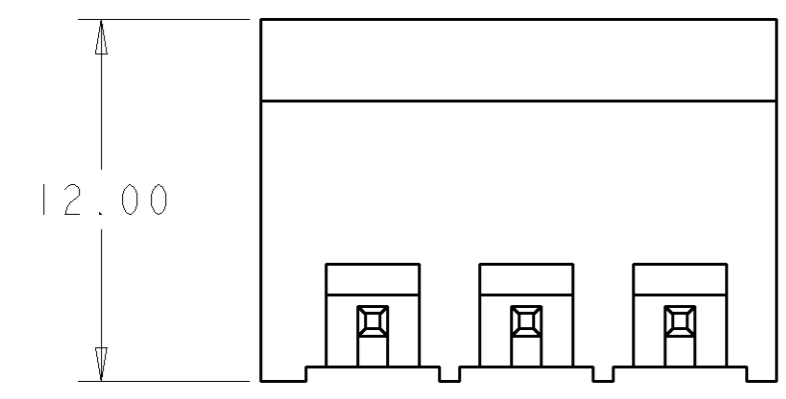
THIS DRAWING IS UNPUBLISHED. RELEASED FOR PUBLICATION 20  
 © COPYRIGHT 20 BY TYCO ELECTRONICS CORPORATION. ALL RIGHTS RESERVED.

LOC	DIST	REVISIONS			
P	LTR	DESCRIPTION	DATE	DWN	APVD
	A	RELEASED EC 0G3B-0517-01	11SEP2002	SW	CR
	B	REVISED EC 0G3B-0886-04	11NOV2004	SW	CR

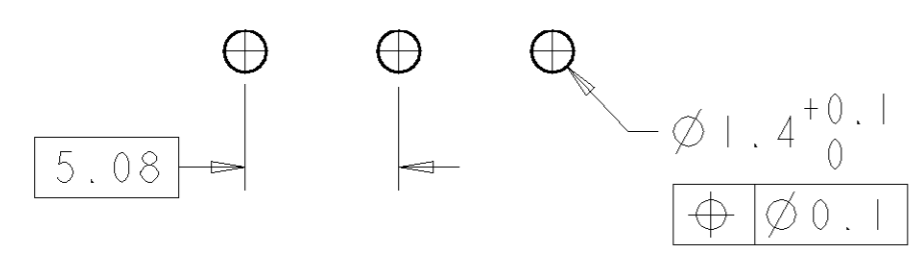


1546109-3 AS SHOWN

PRELIMINARY	.000030	GOLD	62.78	12	4-1546109-2
PRELIMINARY	.000030	GOLD	32.30	6	3-1546109-6
PRELIMINARY	.000030	GOLD	22.14	4	3-1546109-4
PRELIMINARY	.000030	GOLD	17.06	3	3-1546109-3
		TIN	128.82	25	2-1546109-5
		TIN	123.74	24	2-1546109-4
		TIN	118.66	23	2-1546109-3
		TIN	113.58	22	2-1546109-2
		TIN	108.50	21	2-1546109-1
		TIN	103.42	20	2-1546109-0
		TIN	98.34	19	1-1546109-9
		TIN	93.26	18	1-1546109-8
		TIN	88.18	17	1-1546109-7
		TIN	83.10	16	1-1546109-6
		TIN	78.02	15	1-1546109-5
		TIN	72.94	14	1-1546109-4
		TIN	67.86	13	1-1546109-3
		TIN	62.78	12	1-1546109-2
		TIN	57.70	11	1-1546109-1
		TIN	52.62	10	1-1546109-0
		TIN	47.54	9	1546109-9
		TIN	42.46	8	1546109-8
		TIN	37.38	7	1546109-7
		TIN	32.30	6	1546109-6
		TIN	27.22	5	1546109-5
		TIN	22.14	4	1546109-4
		TIN	17.06	3	1546109-3
		TIN	11.98	2	1546109-2



- 1. MATERIALS AND FINISH:  
 HOUSING: PA 6-6, UL 94-V0, COLOR: GRAY.  
 TERMINAL: PHOSPHOR BRONZE, FINISH: SEE TABLE.
- 2. SUITABLE FOR 1,6-2, 4mm PC BOARD THICKNESS.
- 3. RECOGNIZED UNDER THE COMPONENT PROGRAM OF UNDERWRITERS LABORATORIES INC. FILE N° E60677.
- 4. IMQ CERTIFICATE WITH SURVEILLANCE IN CONFORMITY WITH IEC 998-1/998-2-1.)
- 5. NOT CUMULATIVE TOLERANCE
- 6. BUCHANAN LOGO TO APPEAR ON HOUSING, LOCATION OPTIONAL WHERE SPACE PERMITS.



RECOMMENDED PC BOARD LAYOUT

<small>THIS DRAWING IS A CONTROLLED DOCUMENT FOR TYCO ELECTRONICS CORPORATION. IT IS SUBJECT TO CHANGE AND THE CONTROLLING ENGINEERING ORGANIZATION SHOULD BE CONTACTED FOR THE LATEST REVISION.</small>		DWN S. WELDON 11SEP2002 CHK C. RICHARD 11SEP2002 APVD C. RICHARD 11SEP2002	<b>AMP</b> Tyco Electronics Harrisburg, PA 17105-3608
DIMENSIONS: mm	TOLERANCES UNLESS OTHERWISE SPECIFIED: 0 PLC ± 1 PLC ±0.2 2 PLC ± 3 PLC ± 4 PLC ± ANGLES ± FINISH	PRODUCT SPEC - APPLICATION SPEC - WEIGHT -	NAME <b>TERMI-BLOK HEADER ASSEMBLY,          90 DEGREE, CLOSED ENDS,          5.08mm PITCH</b>
MATERIAL		CUSTOMER DRAWING	SIZE A2 CAGE CODE 00779 DRAWING NO. 1546109 RESTRICTED TO - SCALE 4:1 SHEET 1 OF 1 REV B