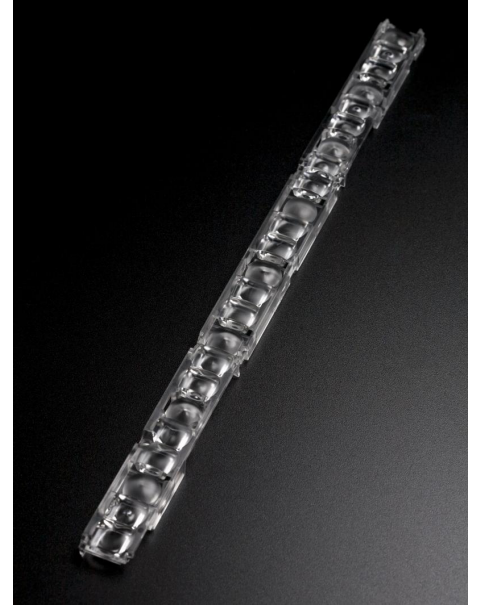


DETAILS

Product Number	F15216_FLORENCE-1R-GC-Z90
Family	Florence
Type	Lens array
Color	clear
Diameter	282,6x19 mm
Height	8,3 mm
Style	rectang
Optic Material	PMMA
Holder Material	
Fastening	clips
Status	sample approved
ROHS Compliant	Yes
Date Updated	8/03/2017

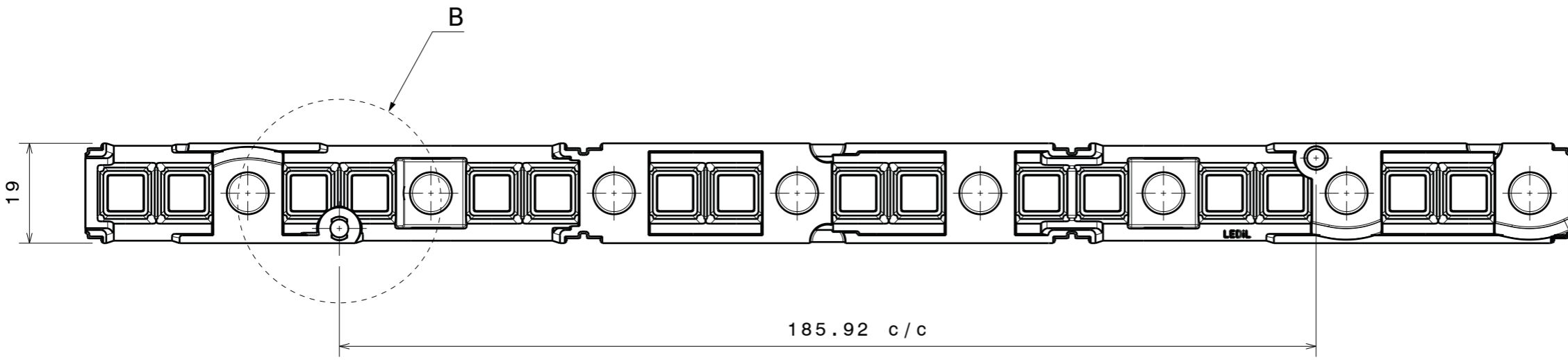


OPTICAL PROPERTIES

LED	Viewing Angle	Light Beam	Efficiency	cd/lm	Connector
NF2x757D	sim: 90	REC-class	sim: 92 %	-	-
Duris E 2835	sim: 91	REC-class	sim: 93 %	sim: 0.480	-
LM561B	87 deg	REC-class	94 %	0.500	-

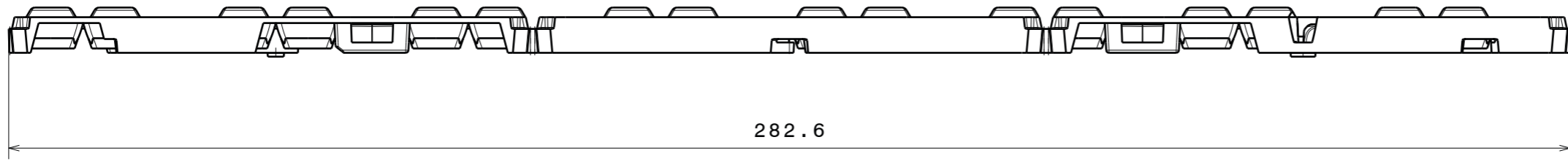
H G F E D C B A

4



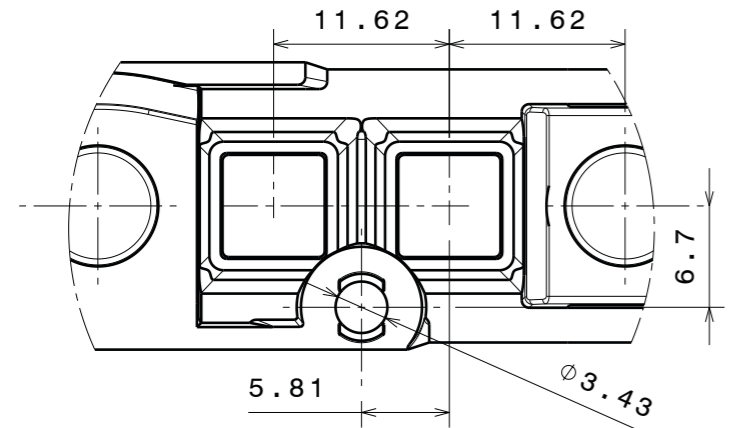
4

3

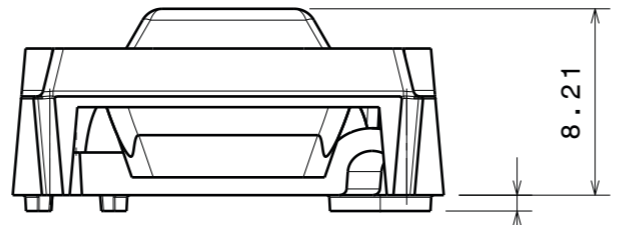


3

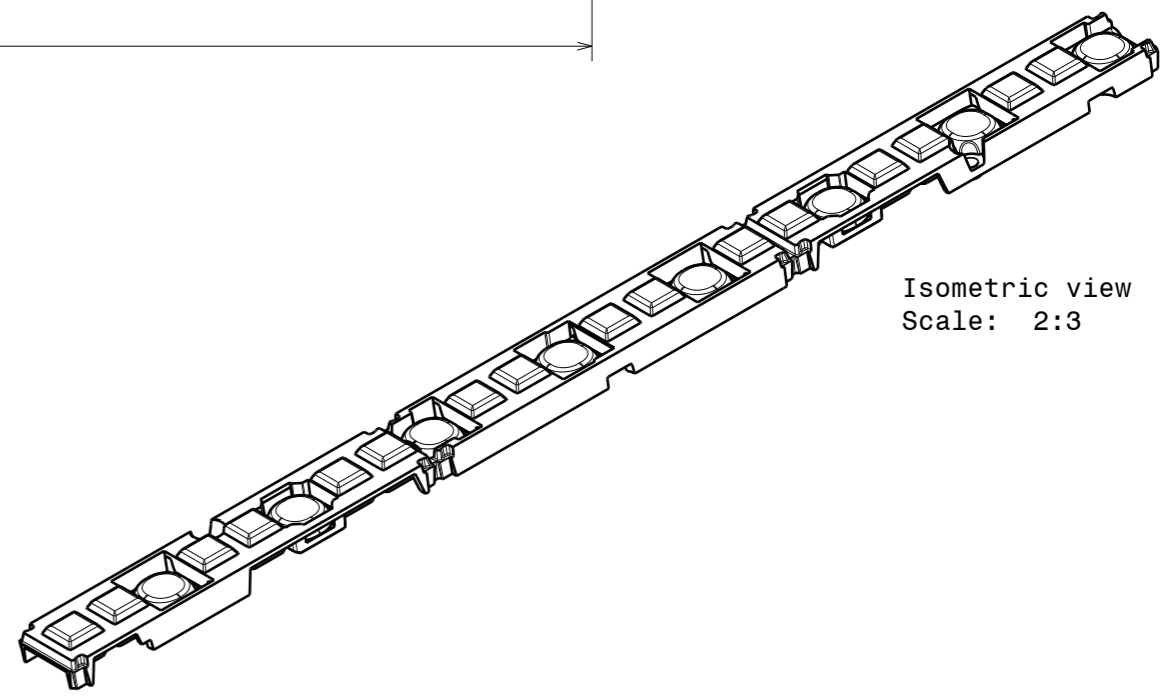
2



Detail B
Scale: 2:1



Left view
Scale: 3:1



Isometric view
Scale: 2:3

2

1

Tolerances if not otherwise shown
According to DIN ISO 2768-1
Linear measures:
up to 30mm class M, otherwise class C
According to DIN ISO 2768-2
Form and position: class L

THIRD ANGLE PROJECTION:

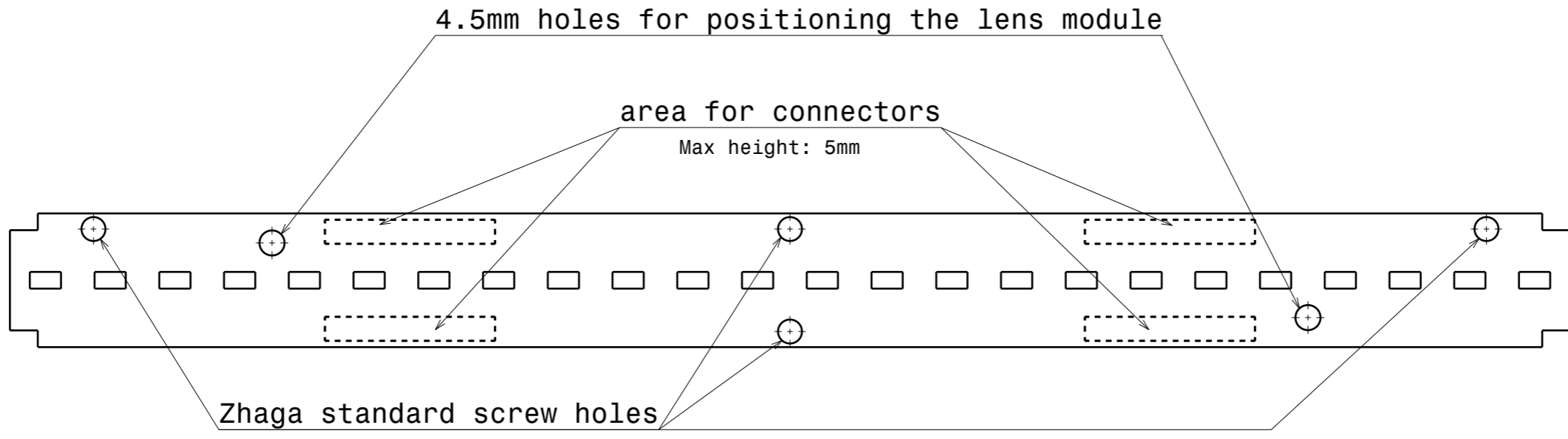
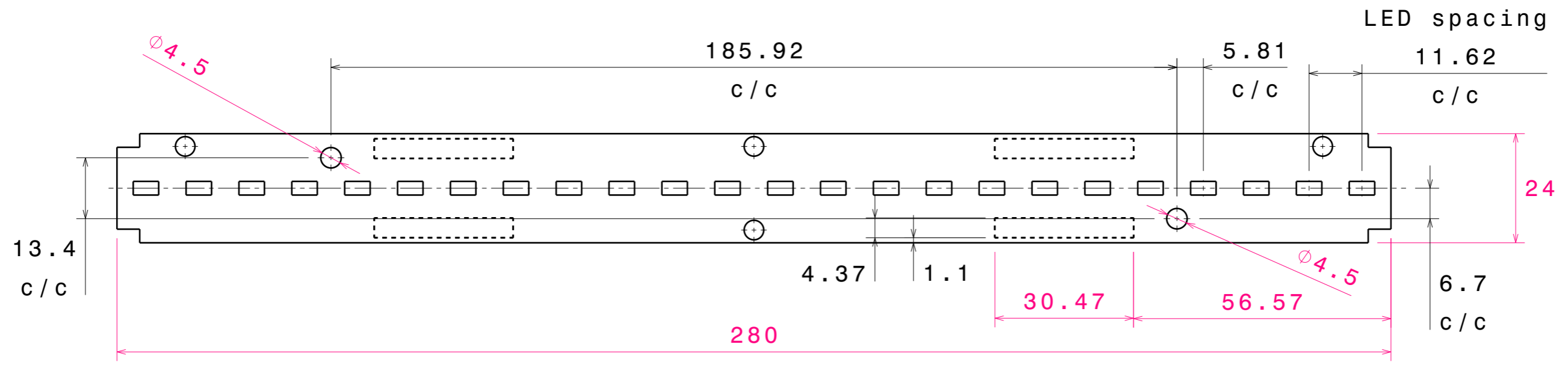
This drawing is the property of LEDiL Oy. It may not be reproduced, copied or communicated without a written agreement with LEDiL Oy.

Ledil Oy Salorankatu 10 FIN 24240 SALO Finland		DRAWING TITLE	
		Datasheet	
SIZE	PART NUMBER		
A3	F15216_FLORENCE-1R-GC-Z90		
SCALE	1:1	WEIGHT	SHEET 1/3


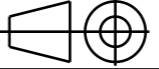
1

H G B A

H G F E D C B A



Recommended connector type: WAGO 2059

Tolerances if not otherwise shown According to DIN ISO 2768-1 Linear measures: up to 30mm class M, otherwise class C According to DIN ISO 2768-2 Form and position: class L		 LediL Oy Salorankatu 10 FIN 24240 SALO Finland	
THIRD ANGLE PROJECTION: 		DRAWING TITLE <h3 style="text-align: center;">Datasheet</h3>	
This drawing is the property of LEDiL Oy. It may not be reproduced, copied or communicated without a written agreement with LEDiL Oy.		SIZE A3	PART NUMBER F15216_FLORENCE-1R-GC-Z90
		SCALE 1:1	WEIGHT
		SHEET 2/3	

H G B A

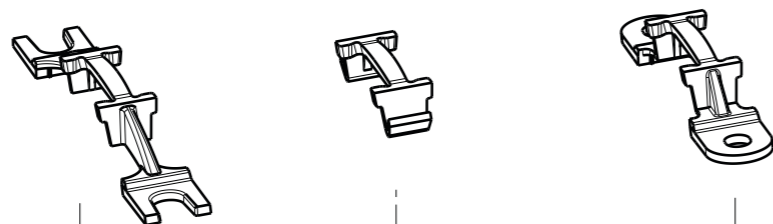
Fastening options

2x M3 screws

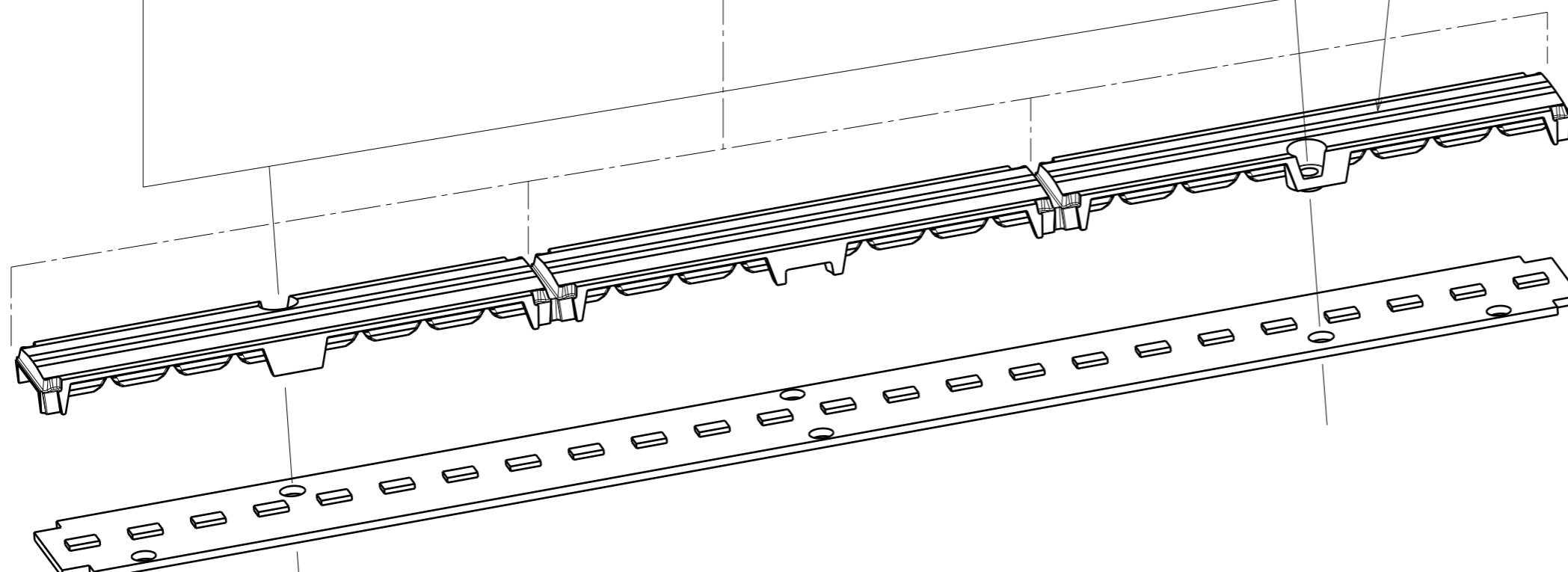
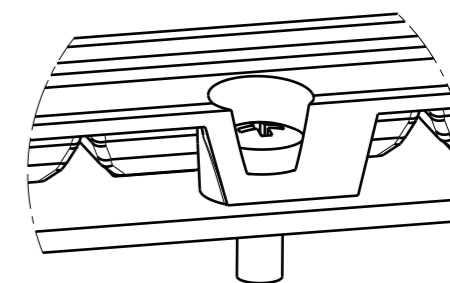
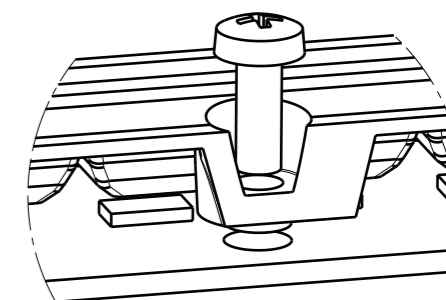


or

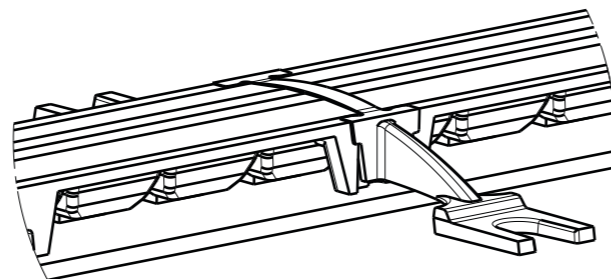
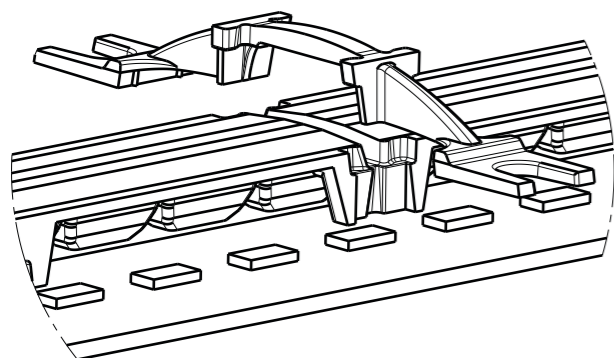
2-4x Florence-1R clips



Typical FLORENCE-1R shown



Max torque for screw: 0.6Nm



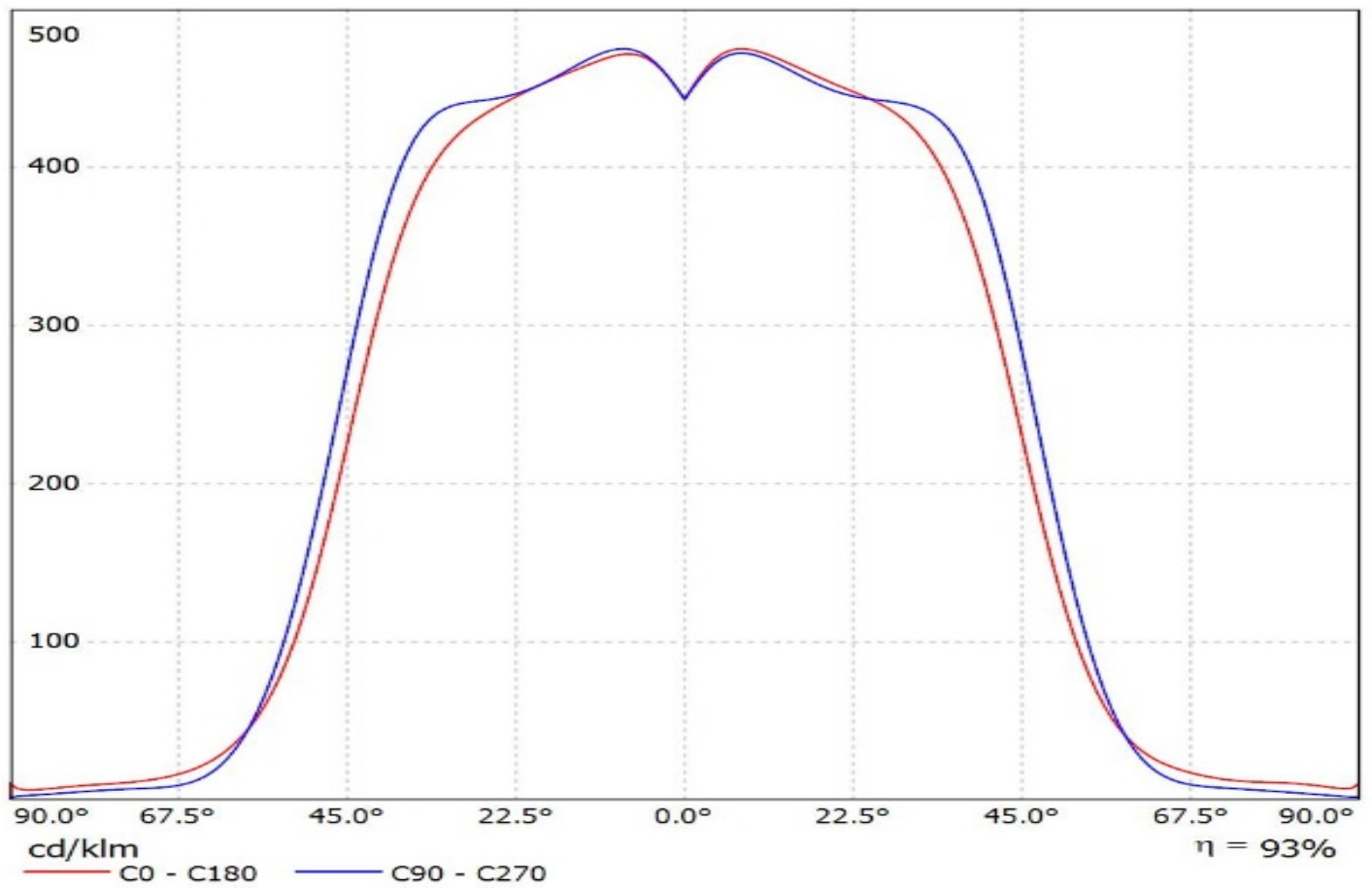
Tolerances if not otherwise shown
According to DIN ISO 2768-1
Linear measures:
up to 30mm class M, otherwise class C
According to DIN ISO 2768-2
Form and position: class L

THIRD ANGLE PROJECTION:

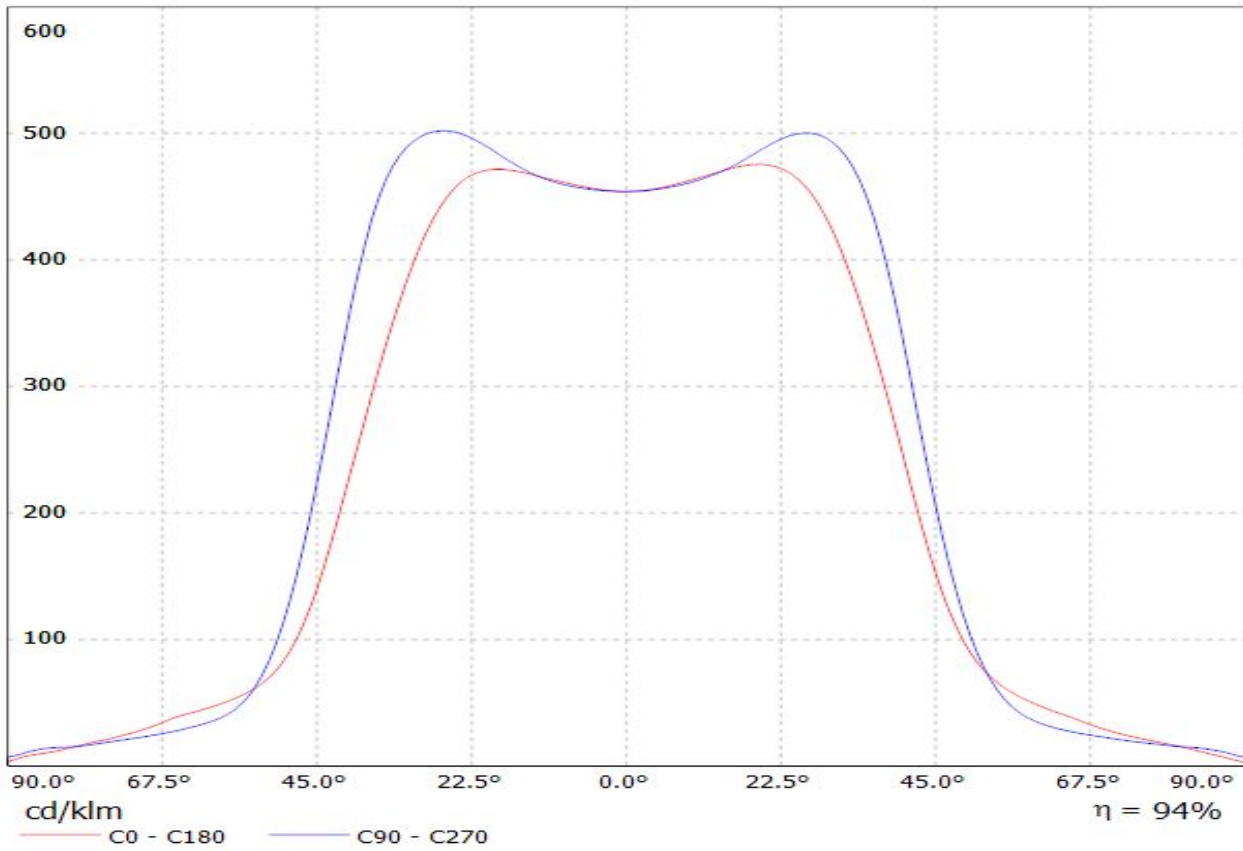
This drawing is the property of LEDiL Oy. It may not be reproduced, copied or communicated without a written agreement with LEDiL Oy.

		LediL Oy	
		Salorankatu 10 FIN 24240 SALO Finland	
DRAWING TITLE			
Datasheet			
SIZE	PART NUMBER		
A3	F15216_FLORENCE-1R-GC-Z90		
SCALE	1:1	WEIGHT	
		SHEET	3/3

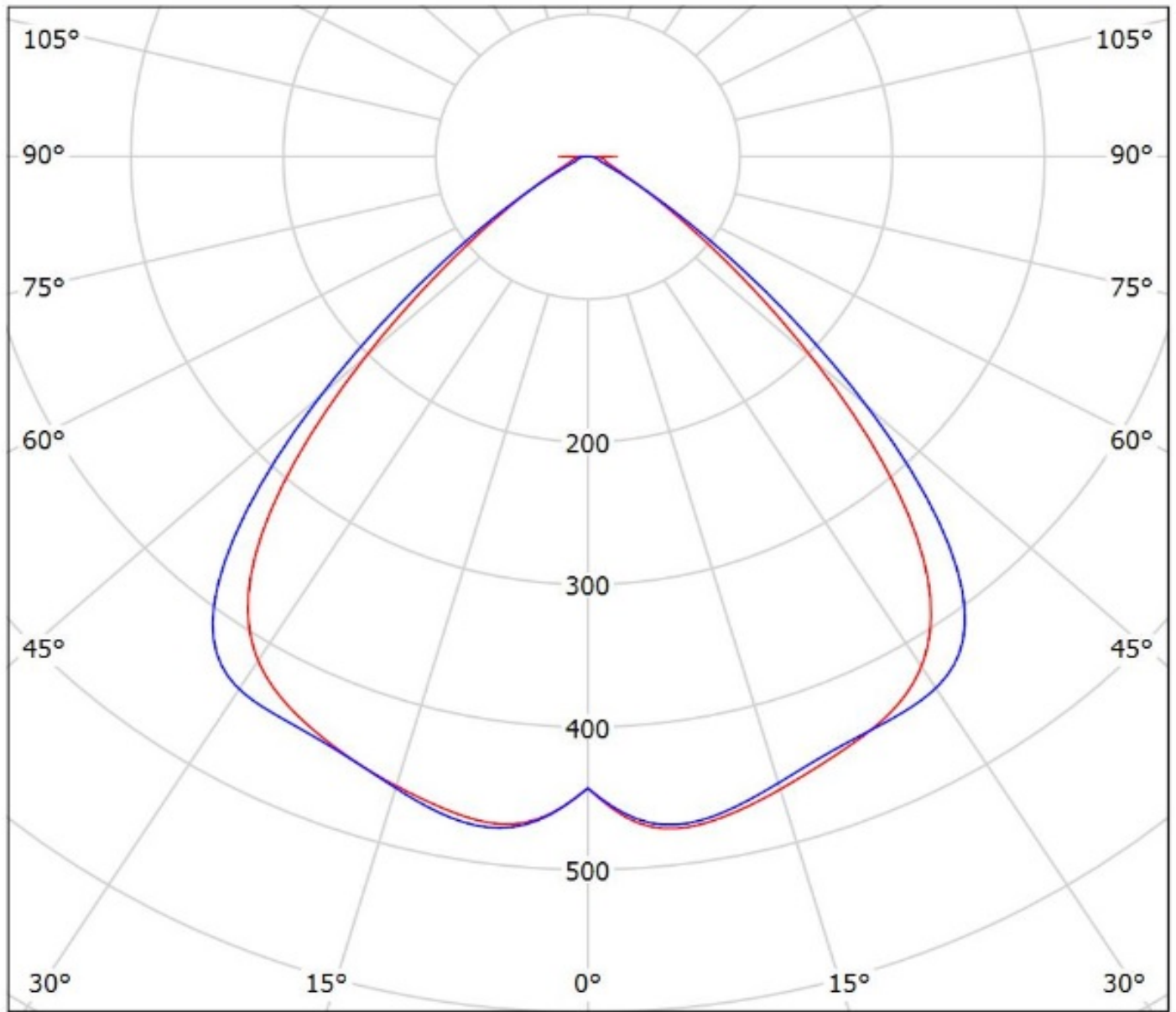
Luminaire: Ledil Oy PRELIMINARY_F15216_FLORENCE-1R-GC-Z90_(Duris_E_2835)_SIMULATED
Lamps: 1 x Osram Duris E 2835 - GW JTLRS1.EM



Luminaire: Ledil F15216_FLORENCE-1R-GC-Z90_(LM561B+)
Lamps: 1 x Samsung_LM561B+_1399.64lm@250mA_P=9.1355W_I=0.25A



Luminaire: Ledil Oy PRELIMINARY_F15216_FLORENCE-1R-GC-Z90_(Duris_E_2835)_SIMULATED
Lamps: 1 x Osram Duris E 2835 - GW JTLRS1.EM

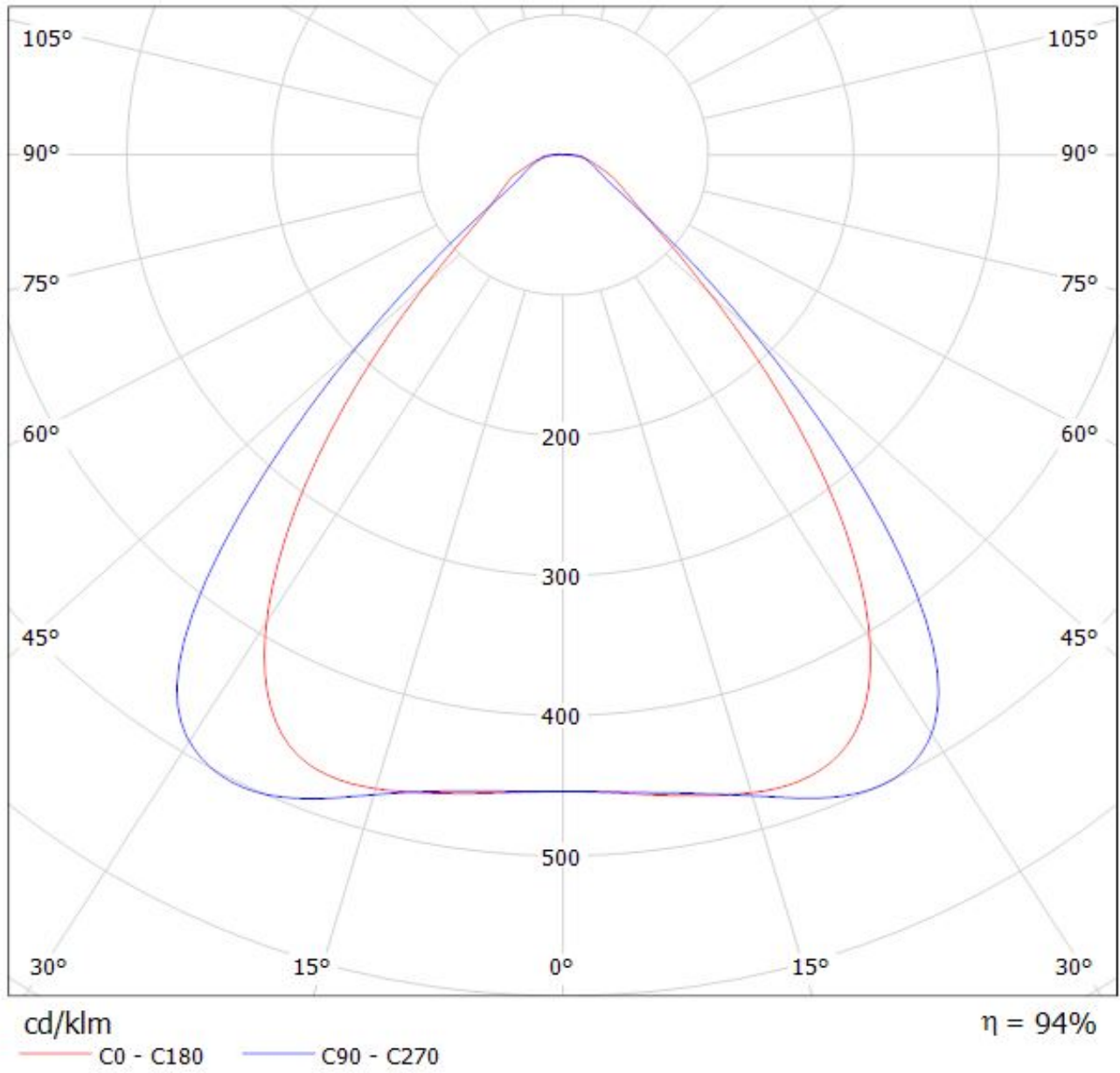


cd/klm

— C0 - C180 — C90 - C270

$\eta = 93\%$

Luminaire: Ledil F15216_FLORENCE-1R-GC-Z90_(LM561B+)
Lamps: 1 x Samsung_LM561B+_1399.64lm@250mA_P=9.1355W_I=0.25A



NOTE: The typical divergence will be changed by different color, chip size and chip position tolerance. The typical total divergence is the full angle measured where the luminous intensity is half of the peak value.