

Power Supply IP42 for LED- and Illumination applications indoor 90~264 VAC => 24 VDC 0.34 A 8 W

new



See below:

Approvals and Compliances

Description

- Universal AC input (full range)
- Fully isolated plastic case
- Protections: Short circuit, overload, over voltage
- No load power consumption <0.5W
- 100% full load burn-in test

Unique Selling Proposition

- Constant voltage design
- Cooling by free air convection
- Small and compact design
- Low costs, high reliability

Characteristics

- Suitable for LED related fixture or appliances, such as LED decoration or Advertisement devices

Weblinks

[pdf data sheet](#), [html datasheet](#), [General Product Information](#), [Product News](#), [Detailed request for product](#)

Technical Data

Voltage Range	128 bis 370 VDC, 90 bis 264 VAC (47 bis 63 Hz)
Allowable Operation Temperature	-30 to +70 °C
IP-Protection	IP42 acc. to IEC 60529
Protection Class	Suitable for appliances with protection class II acc. to IEC 61140
Short Circuit Protection	yes
Overload protection	yes
Surge protection	yes
MTBF	1631.5K hrs min. MIL-HDBK-217F (25°C)

Product standards	UL 8750
Application standards	EN 62368-1
EMC emission acc. to	EN 55022
EMC immunity acc. to	EN 55024

Approvals and Compliances

Detailed information on product approvals, code requirements, usage instructions and detailed test conditions can be looked up in [Details about Approvals](#)

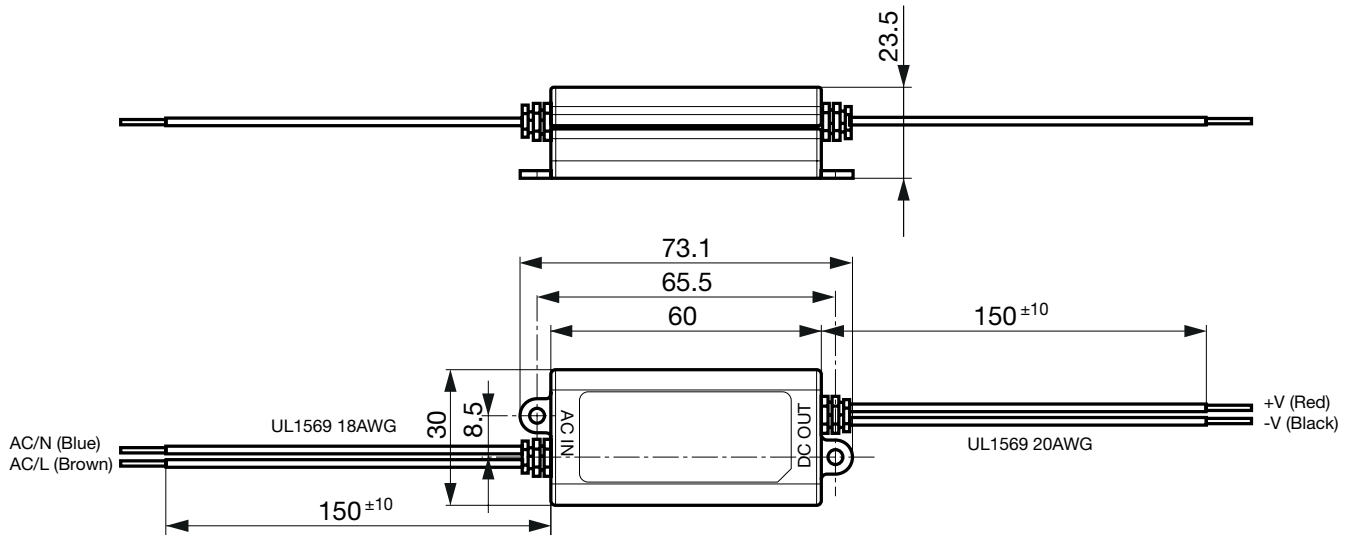
SCHURTER products are designed for use in industrial environments. They have approvals from independent testing bodies according to national and international standards. Products with specific characteristics and requirements such as required in the automotive sector according to IATF 16949, medical technology according to ISO 13485 or in the aerospace industry can be offered exclusively with customer-specific, individual agreements by SCHURTER.

Compliances

The product complies with following Guide Lines

Identification	Details	Initiator	Description
	CE declaration of conformity	SCHURTER AG	The CE marking declares that the product complies with the applicable requirements laid down in the harmonisation of Community legislation on its affixing in accordance with EU Regulation 765/2008.
	RoHS	SCHURTER AG	Directive RoHS 2011/65/EU, Amendment (EU) 2015/863
	REACH	SCHURTER AG	On 1 June 2007, Regulation (EC) No 1907/2006 on the Registration, Evaluation, Authorization and Restriction of Chemicals 1 (abbreviated as "REACH") entered into force.

Dimension [mm]



Designation	Bestellnummer
Power Supply PSUP 24 VDC / 0...0.34A	3-108-130

Most Popular.

Availability for all products can be searched real-time: <https://www.schurter.com/en/Stock-Check/Stock-Check-SCHURTER>

Packaging unit 5 Pcs