

**PLEASE CHECK WWW.MOLEX.COM FOR LATEST PART INFORMATION**

**Part Number:** **0191930360**  
**Status:** **Active**  
**Description:** VersaKrimp™ Ring Tongue Terminal for 3/0 AWG Wire

**Documents:**

[Drawing \(PDF\)](#) [RoHS Certificate of Compliance \(PDF\)](#)

**Agency Certification**

CSA LR18689  
 UL E32244

**General**

Product Family Ring and Spade Terminals  
 Series [19193](#)  
 Comments Type I Noninsulated; Class 2  
 Crimp Quality Equipment Yes  
 Mil-Spec AS20659-155, MS20659-155  
 Product Name VersaKrimp™  
 Type Ring

**Physical**

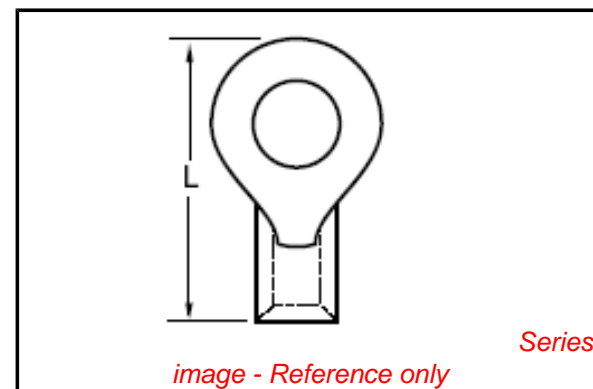
Barrel Type Closed - Brazed  
 Insulation None  
 Material - Plating Mating Tin  
 Packaging Type Bag  
 Plating min: Mating (µin) 100  
 Plating min: Mating (µm) 2.5  
 Plating min: Termination (µin) 100  
 Plating min: Termination (µm) 2.5  
 Stud Size 5/16" (M8)  
 Termination Interface: Style Crimp or Compression  
 Wire Size AWG 3/0

**Material Info**

Old Part Number K-390-56

**Reference - Drawing Numbers**

Sales Drawing CDK390



**EU RoHS**

**ELV and RoHS  
 Compliant**

**REACH SVHC**

**Contains SVHC: No  
 Halogen-Free**

**Status**

**Halogen-Free**

**China RoHS**



**Need more information on product  
 environmental compliance?**

Email [productcompliance@molex.com](mailto:productcompliance@molex.com)  
 For a multiple part number RoHS Certificate of  
 Compliance, [click here](#)

Please visit the [Contact Us](#) section for any  
 non-product compliance questions.

**Search Parts in this Series**

[19193Series](#)

**Application Tooling | [FAQ](#)**

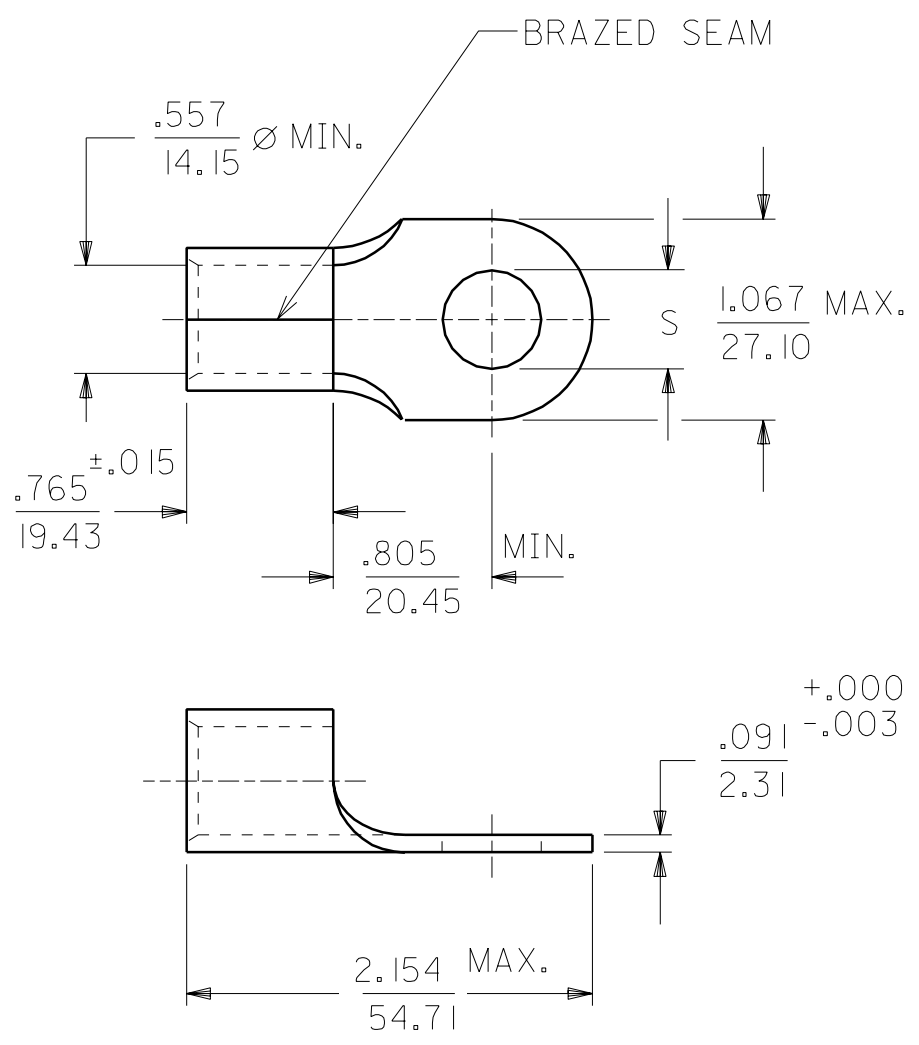
*Tooling specifications and manuals are  
 found by selecting the products below.  
 Crimp Height Specifications are then  
 contained in the Application Tooling  
 Specification document.*

**Global**

Description	Product #
Die Set (large) for the HHLS Hydraulic Crimper	<a href="#">0192900028</a>

DRWG. NO. CDK390

MATERIAL: COPPER  
PLATING: TIN



PART NO.	STUD SIZE	±.003 "S"
K-390-56	5/16	.328
K-390-38	3/8	.390
K-390-76	7/16	.453
K-390-12	1/2	.515
K-390-58	5/8	.656
K-390-34	3/4	.781

WIRE SIZE: 3/0 AWG  
95 MM<sup>2</sup>

REVISE ONLY ON CAD SYSTEM  
TITLE RING TONGUE TERMINAL  
VERSAKRIMP  
3/0 AWG

BRWG. BY EMF  
CHK'D. BY JM  
APP'D. BY FP  
SCALE 1:1

molex ETC INC.  
PINELLAS PARK, FLA. 34665 U.S.A.  
PART NO. SEE CHART  
FILE NAME CDK390

SHEET NO. DATE 12/01/93  
DRWG. NO. CDK390  
THIS DRAWING CONTAINS INFORMATION THAT IS PROPRIETARY TO MOLEX-ETC INC. AND SHOULD NOT BE USED WITHOUT WRITTEN PERMISSION.  
DIV. SIZE A