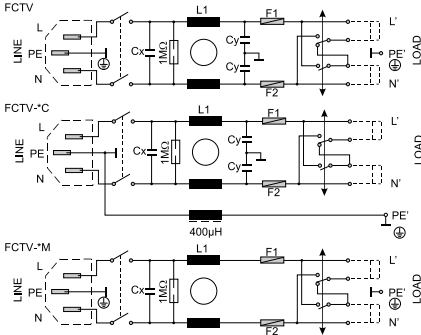


FTCV

IEC Connector Filter

Electrical schematics



General Specifications

Maximum operating voltage: 250Vac.
 Operating frequency: DC - 60Hz.
 Hipot test voltage: L/N->PE: 1800Vac 2s.
 (2500Vac for M version)
 L->N: 1700 Vdc 2s.
 Application class: HPF Acc. TO DIN 40040
 (-25°C/+85°C/95% RH, 30d).
 Flammability class: UL 94 V2.

IEC connector filter

Compact filter with IEC connector, fuses and switch.
 With voltage selector.
 ZM: For electromedical applications.
 ZC: With earth inductor for high immunity level.

Product List

TYPE	I	L1	CX	CY	HOUSING	L.CURRENT	CONNECTION	WEIGHT ±g
FTCV-1Z	1 Amp	7,5 mH					FASTON 6,3mm	210
FTCV-3Z	3 Amp	2 mH	220 nF	3,3 nF	251	0,32mA	FASTON 6,3mm	205
FTCV-6Z	6 Amp	0,45 mH					FASTON 6,3mm	200
FTCV-1ZC	1 Amp	7,5 mH					FASTON 6,3mm	210
FTCV-3ZC	3 Amp	2 mH	220 nF	3,3 nF	251	0,32mA	FASTON 6,3mm	205
FTCV-6ZC	6 Amp	0,45 mH					FASTON 6,3mm	200
FTCV-1ZM	1 Amp	7,5 mH					FASTON 6,3mm	210
FTCV-3ZM	3 Amp	2 mH	220 nF	-	251	5µA	FASTON 6,3mm	205
FTCV-6ZM	6 Amp	0,45 mH					FASTON 6,3mm	200

Insertion Loss

