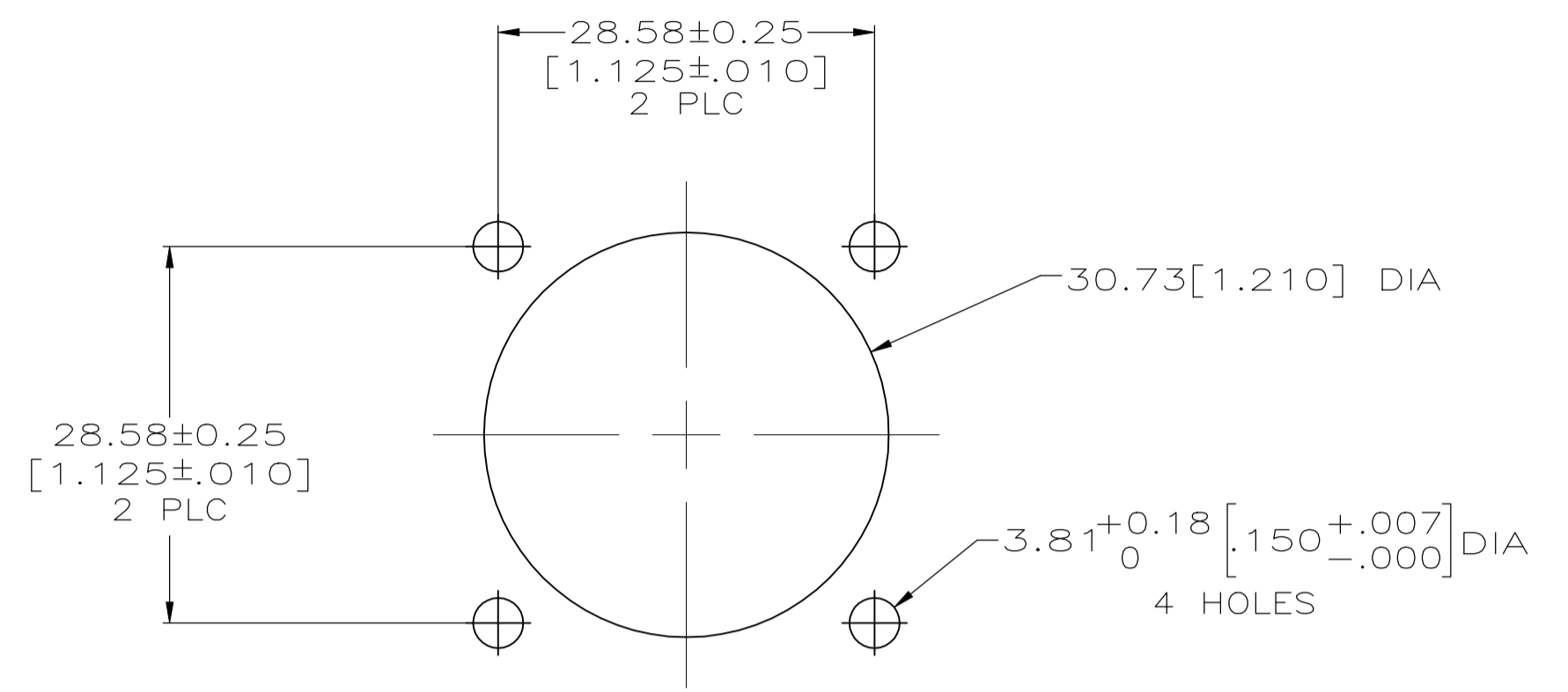
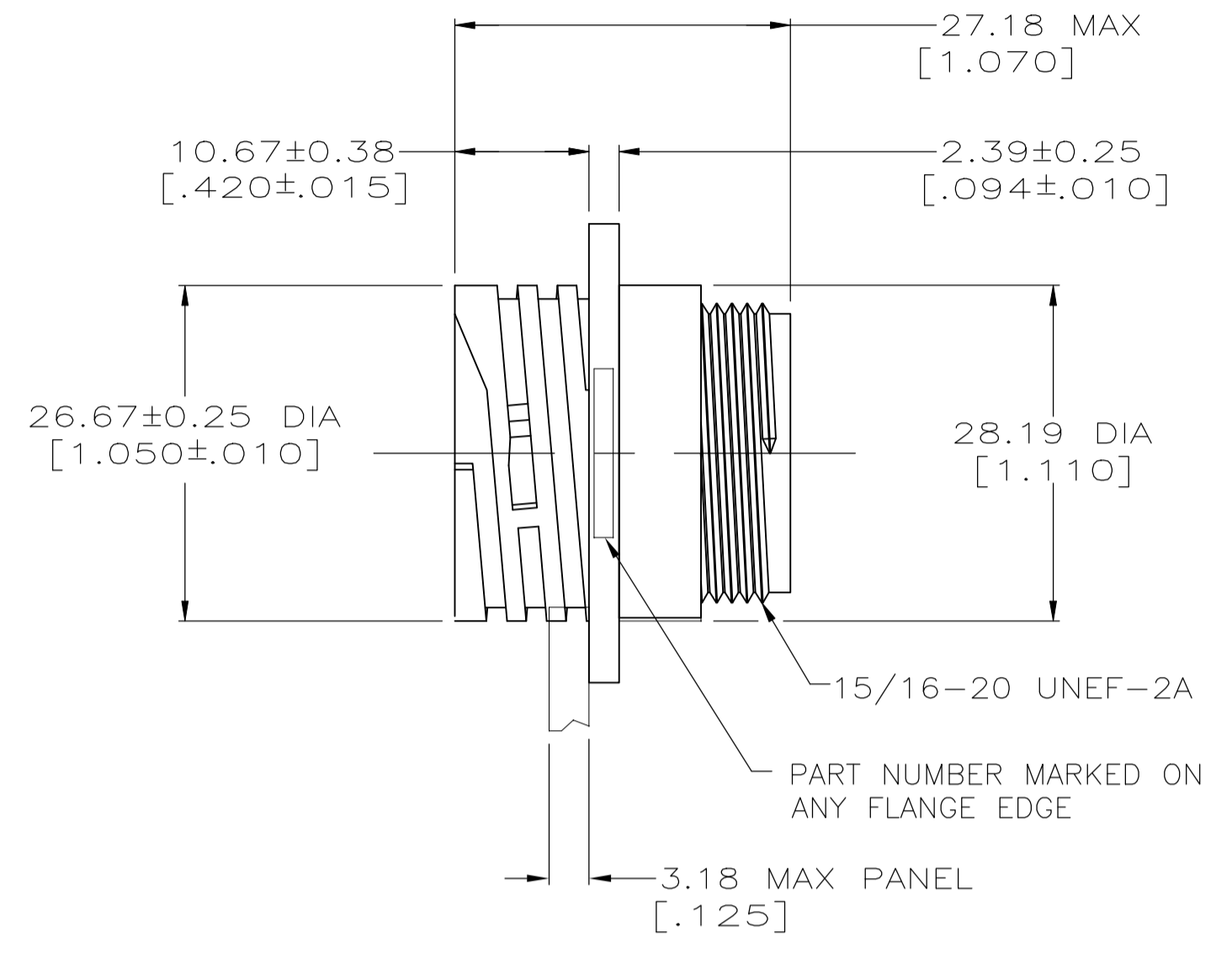
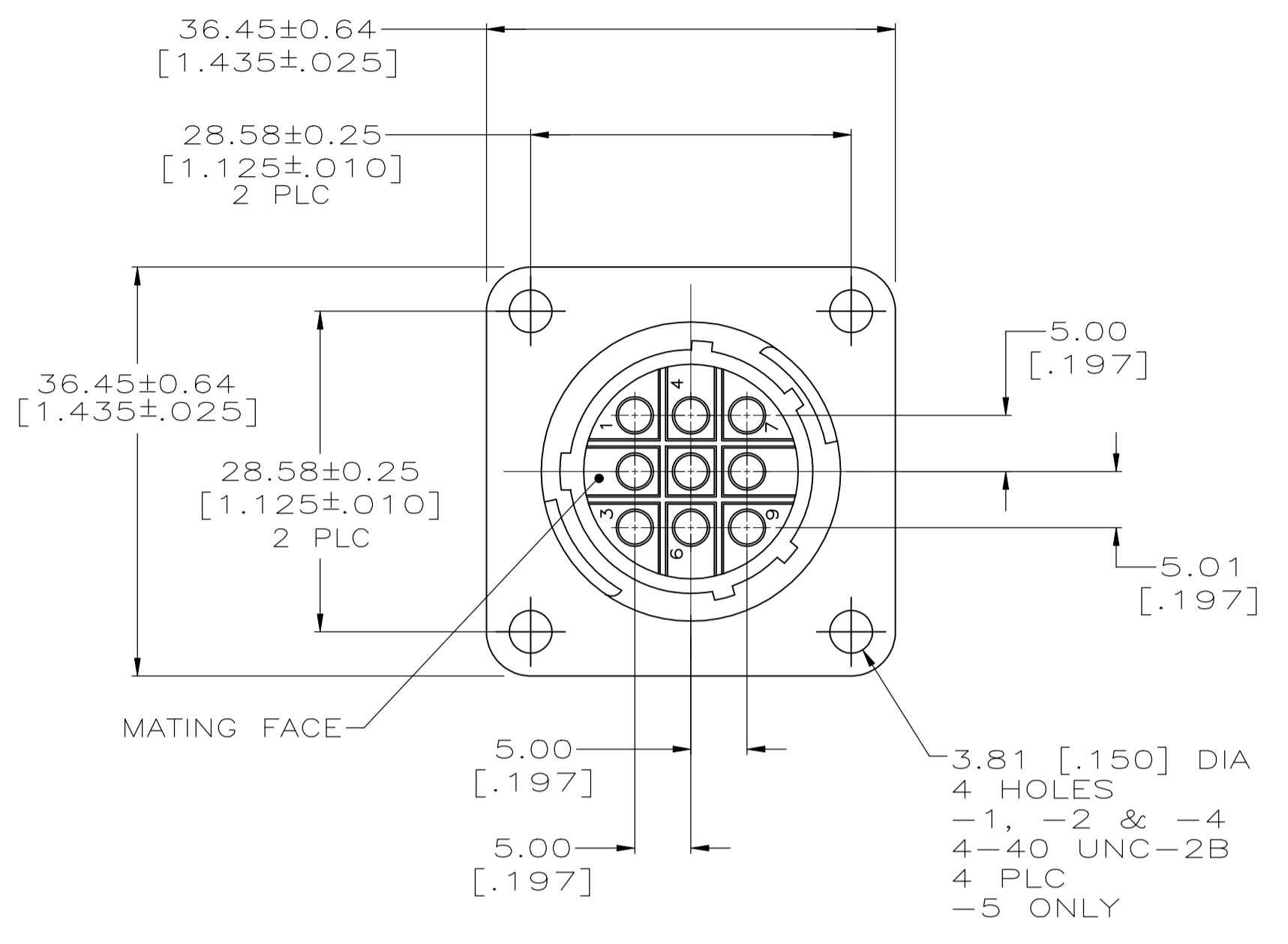
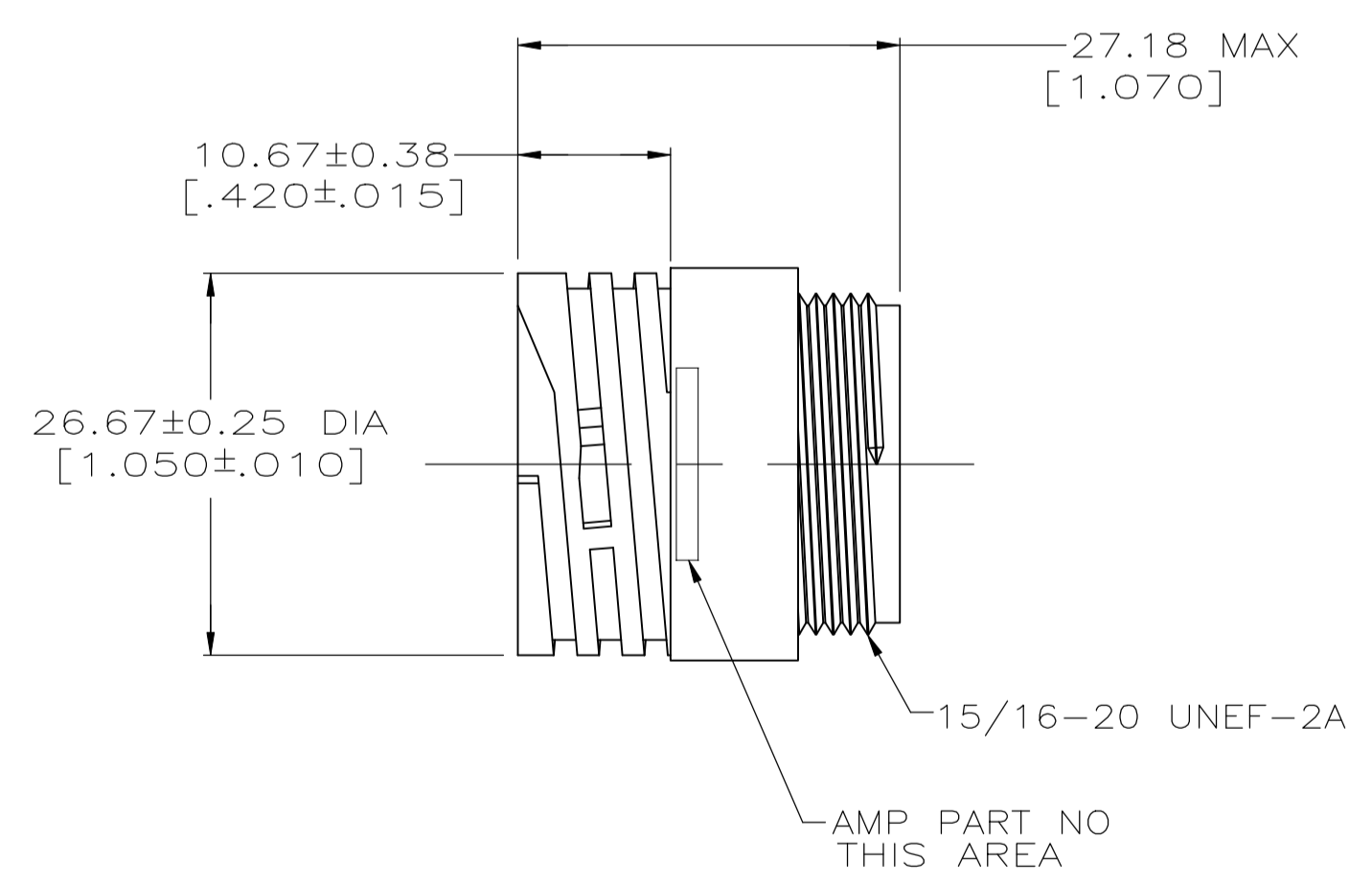
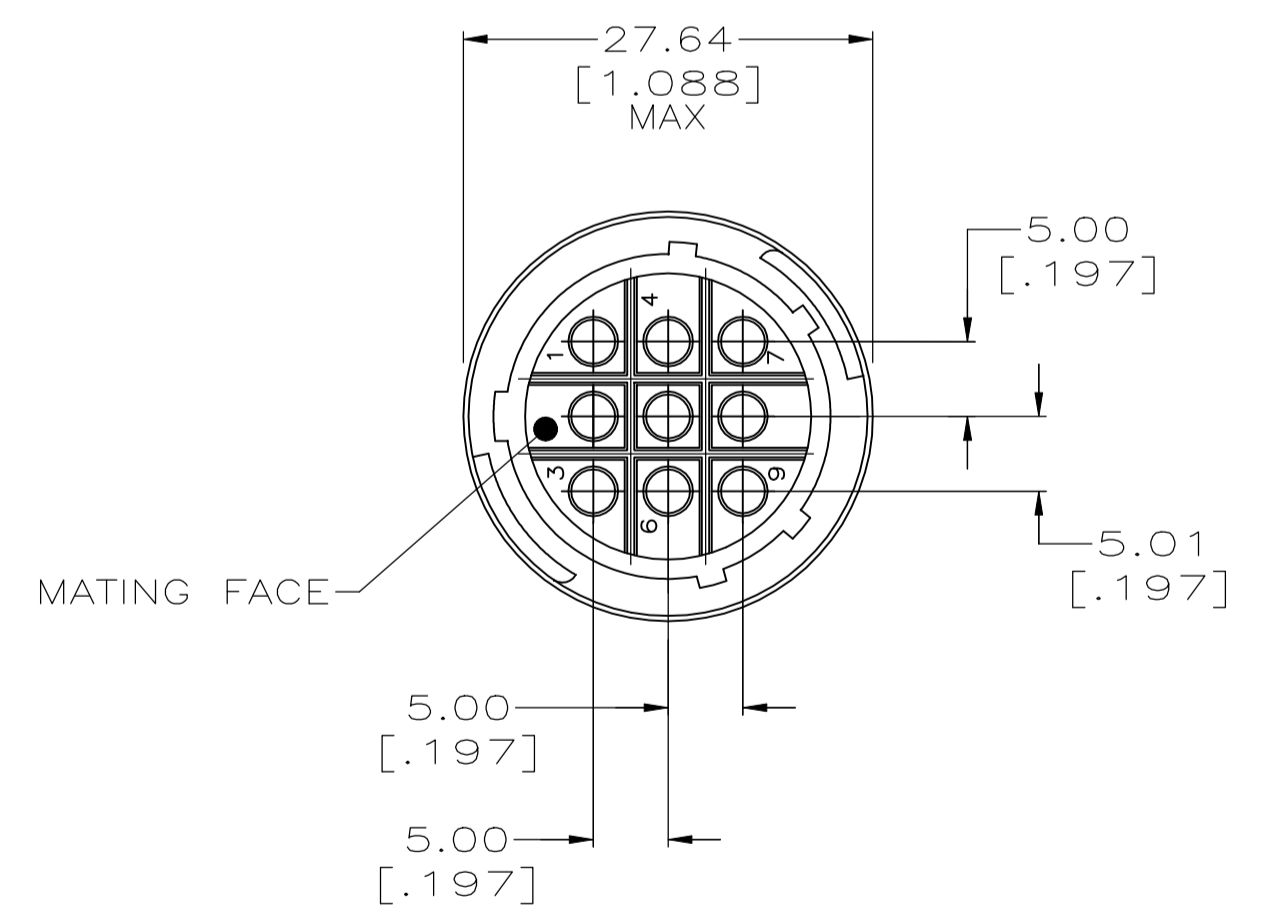


REVISIONS				
REV	BY	DESCRIPTION	DATE	APP'D
G1		REVISED PER ECO-11-004820	11MAR11	RK HMR
H		REVISED PER ECO-18-006771	30OCT2018	RS MZ



RECOMMENDED PANEL CUTOUT

211769-1, -2, -4 & -5



211769-3

1. CAVITY IDENTIFICATION ON FRONT AND REAR FACE.
2. WILL ACCEPT NINE (9) MULTIMATE SOCKET CONTACTS.
3. 3.81[.150] MAXIMUM INSULATION DIAMETER.
4. 2.54[.100] MAXIMUM INSULATION DIAMETER.

	YES	FLANGE	211769-5
	NO	FLANGE	211769-4
3	NO	FREE HANGING	211769-3
4	NO	FLANGE	211769-2
3	NO	FLANGE	211769-1
	THREADED INSERTS	MOUNTING	PART NUMBER

THIS DRAWING IS A CONTROLLED DOCUMENT. DWN: D BROCKWAY 09-24-94
 CHK: R STONE 09-30-94
 APVD: A FRANTUM 10-03-94

STE TE Connectivity Ltd.

RECEPTACLE HOUSING, REVERSE SEX, SHELL SIZE 17, CPC

DIMENSIONS: mm [INCHES]	TOLERANCES UNLESS OTHERWISE SPECIFIED:	SIZE	CAGE CODE	DRAWING NO	RESTRICTED TO
0 PLC ± -	1 PLC ± -	A1	00779	211769	-
2 PLC ± ± 0.13 [005]	3 PLC ± -	SCALE	2:1	SHEET	1 OF 1
4 PLC ± -	ANGLES ± -	CUSTOMER DRAWING		REV	H