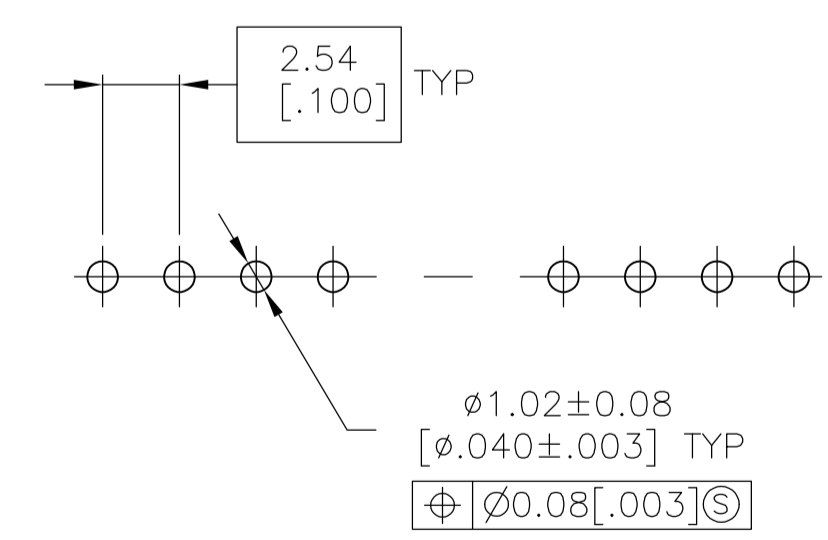
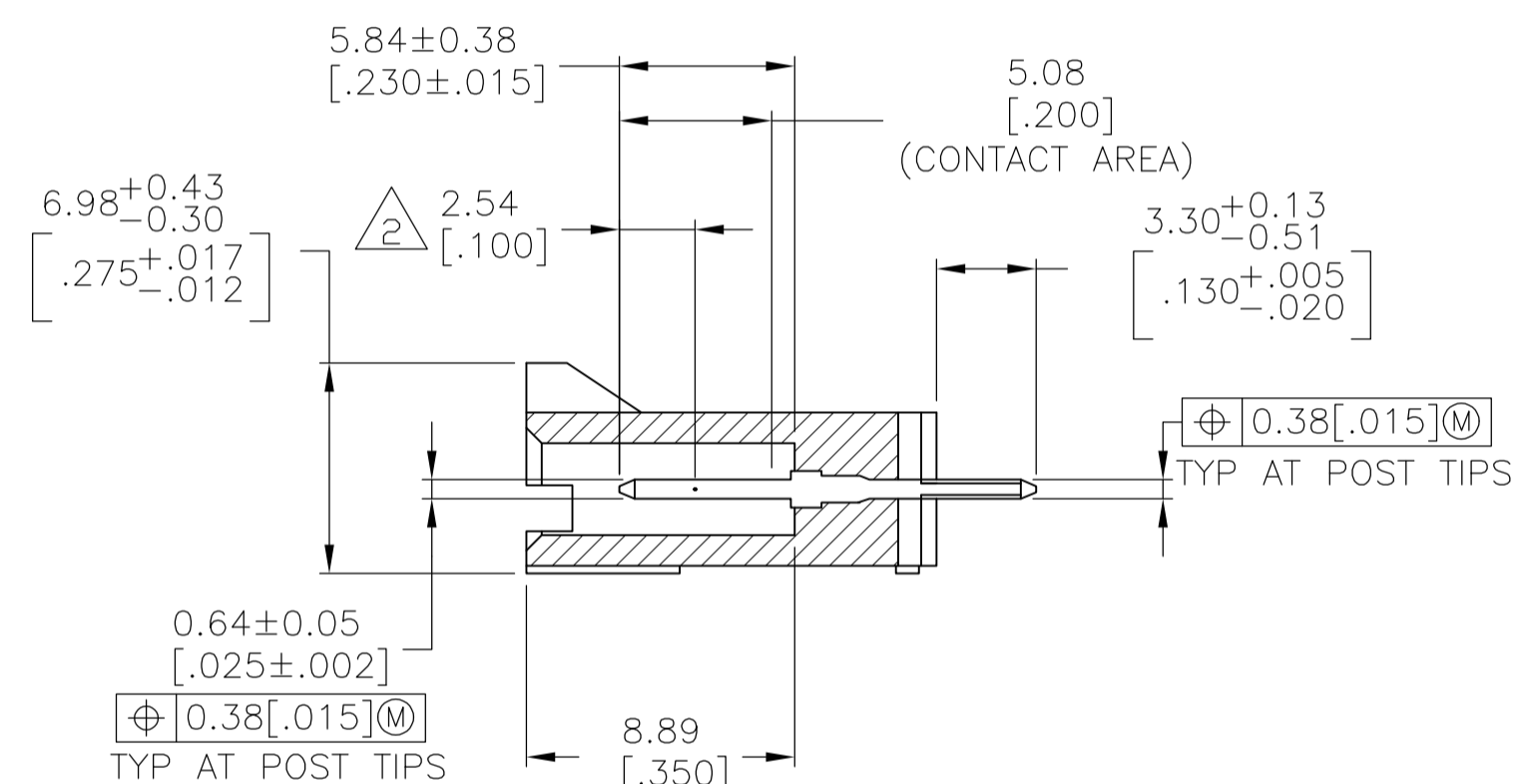
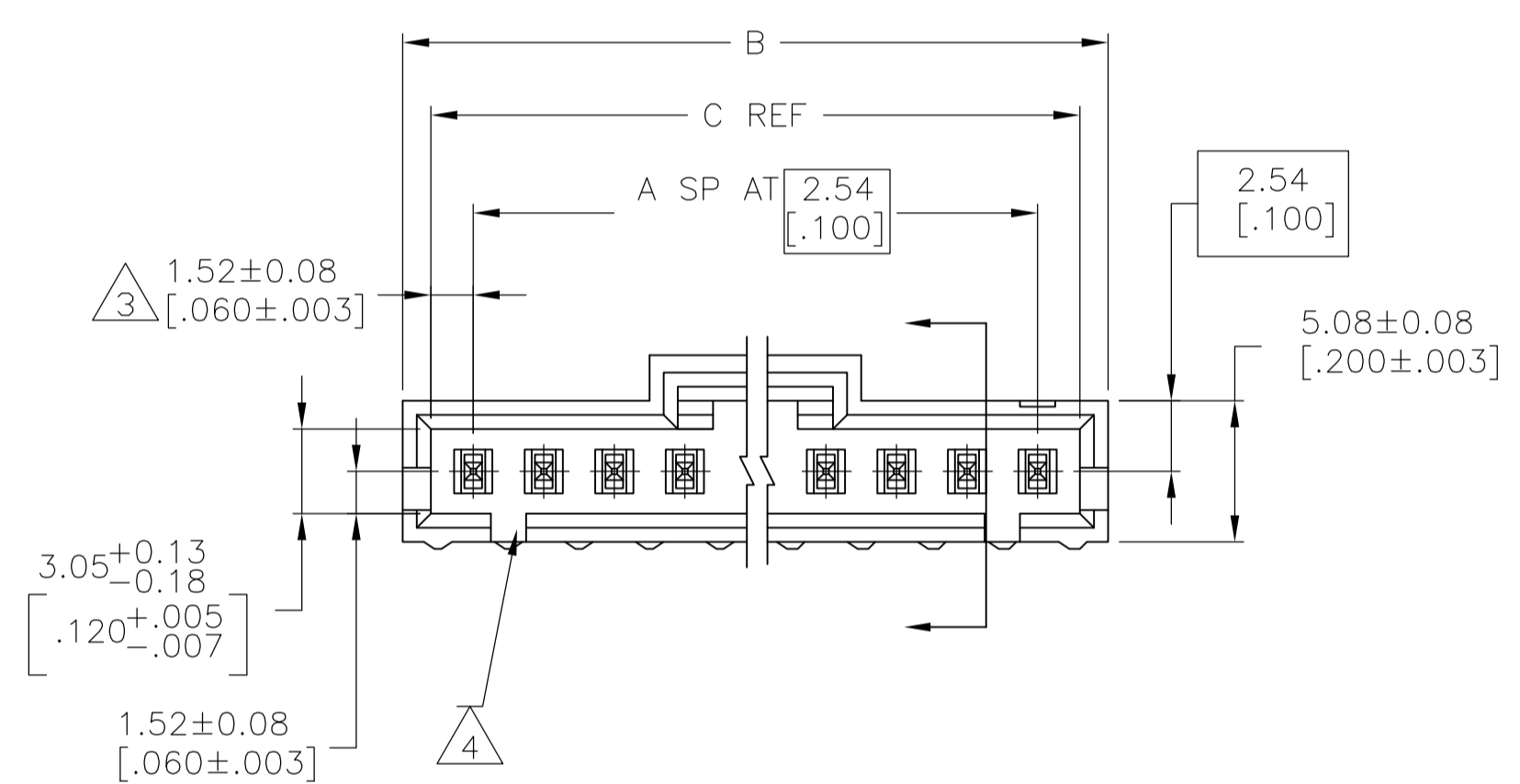


DETAIL Z
POST DETAIL TYP
2 POST MINIMUM



RECOMMENDED HOLE LAYOUT

- 1 .00038[.000015] GOLD IN THE CONTACT AREA, .00254[.000100] MATTE TIN-LEAD ON REMAINDER OF CONTACT, ALL OVER .00127[.000050] NICKEL.
- 2 POINT OF MEASUREMENT FOR PLATING THICKNESS.
- 3 THE NOTED DIMENSIONS APPLY AT THE INTERSECTION OF THE POST AND THE HOUSING.
- 4 ON ASSEMBLIES WITH FOUR OR MORE POSITIONS, TWO POLARIZATION SLOTS. ON ASSEMBLIES WITH TWO OR THREE POSITIONS, ONE POLARIZATION SLOT.
- 5 SELECT POST TAILS FORMED TO PROVIDE CONNECTOR HOLD DOWN UNTIL SOLDERED. CONFIGURATION ACCEPTS 0.69[.027]-2.03[.080] THICK PRINTED CIRCUIT BOARD. (SEE DETAIL Z).
- 6 OBSOLETE PARTS: OBSOLETE CIS STREAMLINING PER D.RENAUD/D.SINISI

		64.01	66.04	24	25	2-103670-4	
		[2.520]	[2.600]				
		61.47	63.50	23	24	2-103670-3	
		[2.420]	[2.500]				
	6	OBSELETE	58.93	60.96	22	23	2-103670-2
			[2.320]	[2.400]			
			56.39	58.42	21	22	2-103670-1
			[2.220]	[2.300]			
	6	SUPERCEDED BY 7-104909-0	53.85	55.88	20	21	2-103670-0
			[2.120]	[2.200]			
			51.31	53.34	19	20	1-103670-9
			[2.020]	[2.100]			
	6	SUPERCEDED BY 6-104909-8	48.77	50.80	18	19	1-103670-8
			[1.920]	[2.000]			
			46.23	48.26	17	18	1-103670-7
			[1.820]	[1.900]			
			43.69	45.72	16	17	1-103670-6
			[1.720]	[1.800]			
			41.15	43.18	15	16	1-103670-5
			[1.620]	[1.700]			
			38.61	40.64	14	15	1-103670-4
			[1.520]	[1.600]			
			36.07	38.10	13	14	1-103670-3
			[1.420]	[1.500]			
			33.53	35.56	12	13	1-103670-2
			[1.320]	[1.400]			
			30.99	33.02	11	12	1-103670-1
			[1.220]	[1.300]			
			28.45	30.48	10	11	1-103670-0
			[1.120]	[1.200]			
			25.91	27.94	9	10	103670-9
			[1.020]	[1.100]			
			23.37	25.40	8	9	103670-8
			[.920]	[1.000]			
			20.83	22.86	7	8	103670-7
			[.820]	[.900]			
			18.29	20.32	6	7	103670-6
			[.720]	[.800]			
			15.75	17.78	5	6	103670-5
			[.620]	[.700]			
			13.21	15.24	4	5	103670-4
			[.520]	[.600]			
			10.67	12.70	3	4	103670-3
			[.420]	[.500]			
			8.13	10.16	2	3	103670-2
			[.320]	[.400]			
			5.59	7.62	1	2	103670-1
			[.220]	[.300]			
			C	B	A	NO OF POSN	PART NO.

THIS DRAWING IS A CONTROLLED DOCUMENT.

DIMENSIONS: mm [INCHES]	TOLERANCES UNLESS OTHERWISE SPECIFIED:	0 PLC ± -	1 PLC ± -	2 PLC ± 0.13[.005]	3 PLC ± -	4 PLC ± -	ANGLES ± -	FINISH
								1

MATERIAL: HOUSING: FLAME RETARDANT THERMOPLASTIC. COLOR - BLACK. CONTACTS: BRASS.

DSN: S. SHUEY 3-5-91
 CHK: M. RIDER 2-14-92
 APVD: M. RIDER 2-14-92
 NAME: HDR ASSY, VERT, SINGLE ROW
 PRODUCT SPEC: 108-25034
 APPLICATION SPEC: 114-25026
 WEIGHT: -
 CUSTOMER DRAWING

SIZE: A1
 CAGE CODE: 00779
 DRAWING NO: 103670
 SCALE: 4:1
 SHEET: 1 of 1
 REV: S2

STE TE Connectivity
 WITH PLZN & RETENTIVE POSTS, AMPMODU MTE