

PLEASE CHECK WWW.MOLEX.COM FOR LATEST PART INFORMATION

Part Number: **0731375003**
Status: **Active**
Overview: BNC RF Connectors
Description: BNC 50 Ohm, Right-Angle PCB Bulkhead Jack Receptacle, Panel Isolated, Black PBT Housing, Housing Height 13.20mm, Nut and Lockwasher included

Documents:

[Drawing \(PDF\)](#) [RoHS Certificate of Compliance \(PDF\)](#)
[Packaging Specification SD-73137-5003-PKG \(PDF\)](#)

Agency Certification

CSA LR19980
 UL E107635

General

Product Family RF/Coax Connectors
 Series 73137
 Overview BNC RF Connectors
 Product Name BNC
 Style PCB
 UPC 800753750258
 Wire/Cable Type N/A

Physical

Cable Attachment N/A
 Flammability 94V-0
 Gender Jack
 Keying to Mating Part None
 Net Weight 15.347/g
 Orientation Right Angle
 PCB Mounting Through Hole
 PCB Thickness - Recommended 3.20mm
 Packaging Type Tray
 Panel Mount Yes
 Panel Mount Method Bulkhead

Electrical

Impedance 50#

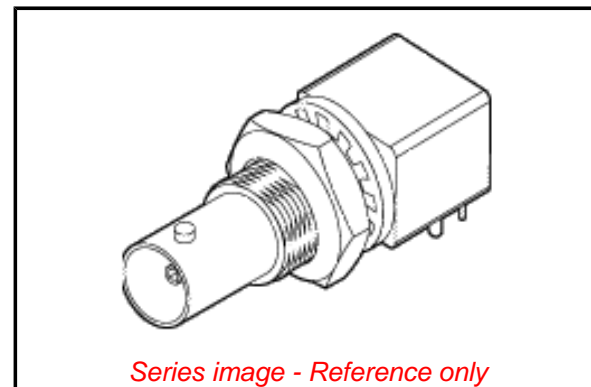
Solder Process Data

Duration at Max. Process Temperature (seconds) 010
 Lead-free Process Capability WAVE
 Max. Cycles at Max. Process Temperature 001
 Process Temperature max. C 245

Material Info

Reference - Drawing Numbers

Packaging Specification SD-73137-5003-PKG
 Sales Drawing SD-73137-5003



Series image - Reference only

EU ELV

Not Relevant

EU RoHS

Compliant with Exemption 6(c)

REACH SVHC

Not Contained Per - ED/21/2016 (20 June 2016)

Halogen-Free

Status

Not Low-Halogen

Need more information on product environmental compliance?

Email productcompliance@molex.com
 Please visit the [Contact Us](#) section for any non-product compliance questions.

China ROHS

50 Image

ELV

Not Relevant

Search Parts in this Series

73137 Series