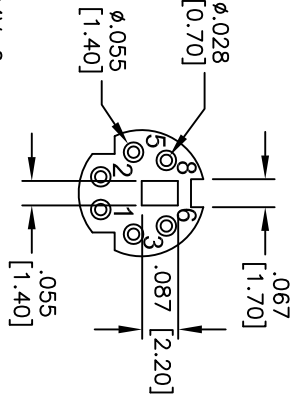
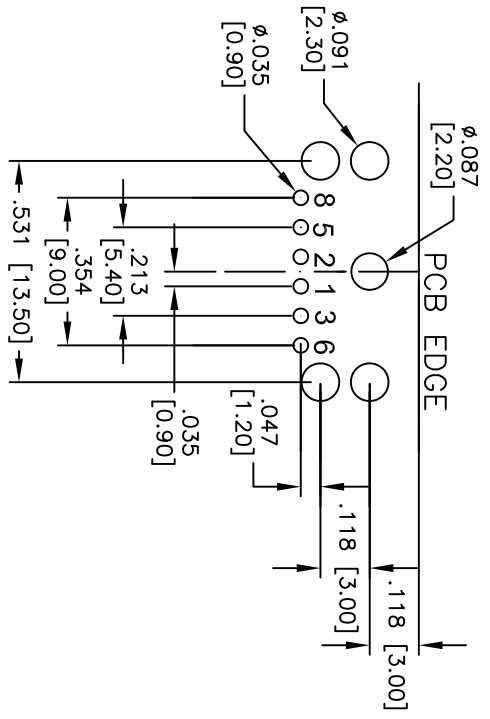
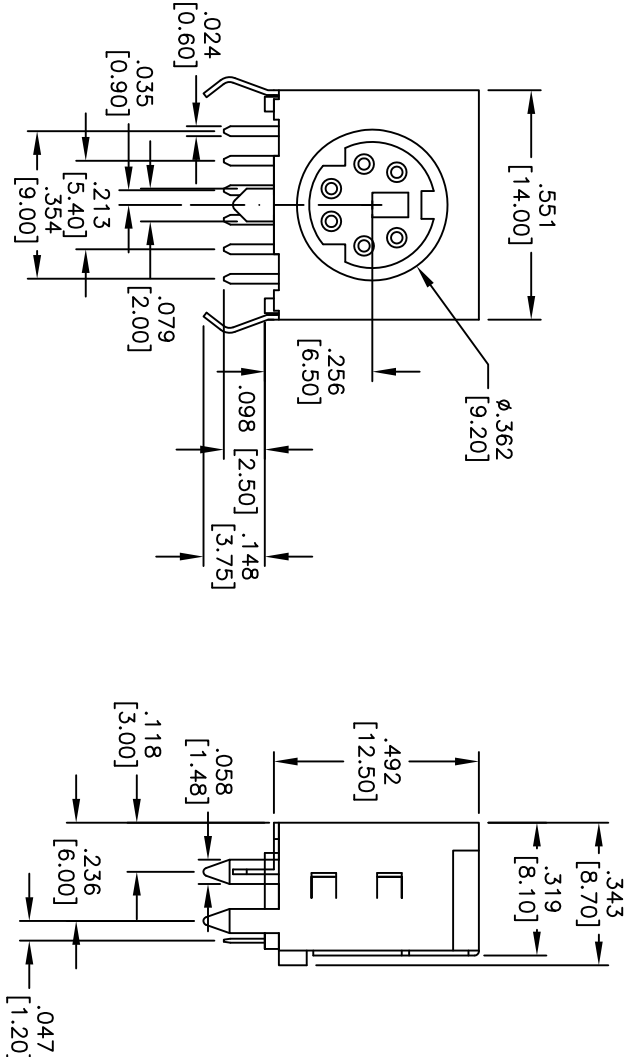


Rev	AWO #	Description	Date	Appr
-		RELEASED	5/05/11	

APPROVED: _____ TITLE: _____
 DATE: _____



SPECIFICATIONS:

Material:
 Insulator: Nylon 9T, glass reinforced, rated UL 94V-0
 Insulator color: Black
 Contacts: Phosphor Bronze
 Shield: Brass, Tin plated
 Plating:
 Gold over Nickel underplate on contact area, Tin over
 Copper underplate on tails
Electrical:
 Operating voltage: 100 VAC/12 VDC max.
 Current rating: 1 Amp max./2 Amps max.
 Contact resistance: 30 mohms max. initial
 Insulation resistance: 100 Mohms min.
 Dielectric withstanding voltage: 250 VAC for 1 minute
 Temperature Rating:
 Operating temperature: -25°C to +70°C
 Environmental:
 Lead free, RoHS compliant.
 Recommended soldering temp: 260°C for 5 sec.



UNLESS OTHERWISE SPECIFIED ALL DIMENSIONS ARE INCHES [MM] TOLERANCES: EXCEPT AS NOTED	
INCHES	HOLES
.X ± .10	ØXX ± .10
.XX ± .020	ØXXX ± .015
.XXX ± .015	ØXXXX ± .010
APPROVALS	
DRAWN	DY
CHECKED	
APPROVED	
	5/05/11

ADAM TECH
 909 Rahway Avenue, Union, NJ 07083
 Phone: 908-687-5000 Fax: 908-687-5710

TITLE: **MINI DIN JACK, RIGHT ANGLE, FULL SHIELD
 SLIM LINE TYPE**

SIZE: X PART NO.: MDJ-006-FS-SL-HT
 REF: S0002T SCALE: NTS SHEET 1 OF 1