

## SHIELDED SMD INDUCTOR DR350-4 SERIES

### Features

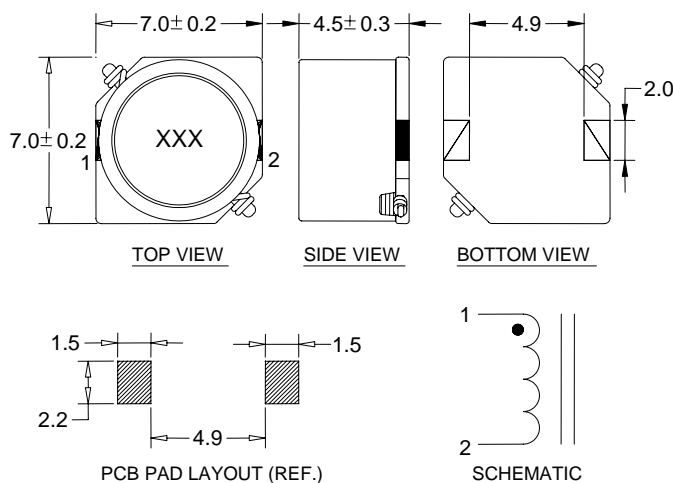
- Low Profile Surface Mount Design
- Flat Top for Pick and Place
- Inductance Range from 3.3 $\mu$ H to 1000.0 $\mu$ H
- Operating Temp. -40°C to +85°C
- Tinned Leads with Leaded Solder is Available (note 7)



### ELECTRICAL SPECIFICATIONS AT 25°C

Part No.	Inductance ( $\mu$ H) $\pm$ 20%	DCR ( $\Omega$ ) $\pm$ 20%	$I_{rms}$ (A) Max.	$I_{sat}$ (A) Max.
DR350-4-332	3.3	0.020	2.30	2.50
DR350-4-472	4.7	0.030	2.10	2.00
DR350-4-682	6.8	0.039	1.74	1.70
DR350-4-103	10.0	0.036	1.78	1.30
DR350-4-153	15.0	0.052	1.53	1.10
DR350-4-223	22.0	0.061	1.34	0.90
DR350-4-333	33.0	0.096	1.09	0.82
DR350-4-473	47.0	0.125	0.92	0.75
DR350-4-683	68.0	0.175	0.77	0.60
DR350-4-104	100.0	0.250	0.65	0.50
DR350-4-154	150.0	0.340	0.55	0.40
DR350-4-224	220.0	0.520	0.45	0.33
DR350-4-334	330.0	0.740	0.37	0.25
DR350-4-474	470.0	1.050	0.31	0.22
DR350-4-684	680.0	1.480	0.27	0.20
DR350-4-105	1000.0	2.280	0.25	0.14

### MECHANICAL OUTLINES



### Notes:

1. All dimensions are shown in millimeter "mm"
2. General tolerance  $\pm$ 0.2mm, unless other specified
3. Inductance Test: 1kHz, 0.5Vrms
4.  $I_{rms}$  for an approximate 45°C temperature rise
5.  $I_{sat}$  for an approximate 20% drop maximum of the nominal value
6. Tape and reel quantity, 1000 pcs/reel
7. For non-RoHS part replace DR prefix with 42- (e.g. DR350-4 becomes 42-350-4)
8. Component Terminal finish is compliant to RoHS requirements. Solder in accordance with J-STD-020C.