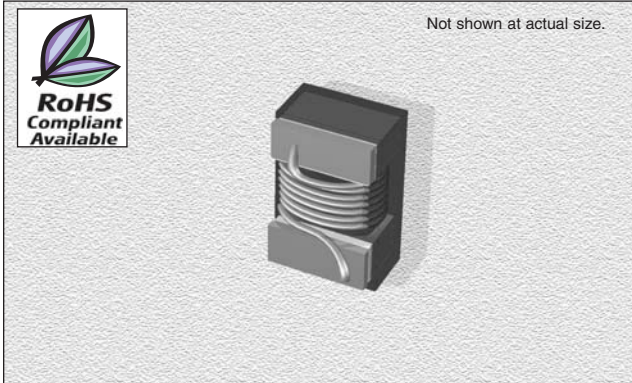


## CT0603LS Series

From 47 nH to 10000 nH

### SPECIFICATIONS

Please specify tolerance code when ordering.  
 CT0603LS-471\_ ← J = ±5%, K = ±10%  
 CT0603LSE Please specify "F" for RoHS Compliant



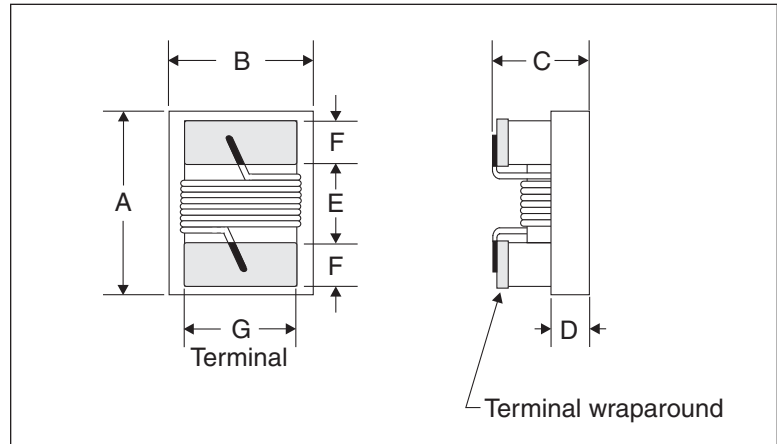
Part Number	Inductance (nH)	L Test Freq. (MHz)	Q Fact. Min.	Q Test Freq. (MHz)	SRF Min. (MHz)	DCR Max. (Ω)	IDC Max. (mA)
CT0603LS_-47N_	47	7.9	17	7.9	1700	0.075	1500
CT0603LS_-72N_	72	7.9	17	7.9	1700	0.12	1500
CT0603LS_-101_	100	7.9	17	7.9	1650	0.13	1500
CT0603LS_-121_	120	7.9	17	7.9	1400	0.15	1500
CT0603LS_-151_	150	7.9	17	7.9	1350	0.15	1450
CT0603LS_-181_	180	7.9	17	7.9	1150	0.15	1400
CT0603LS_-221_	220	7.9	17	7.9	1150	0.16	1350
CT0603LS_-241_	240	7.9	17	7.9	1050	0.19	1300
CT0603LS_-271_	270	7.9	17	7.9	1050	0.30	1050
CT0603LS_-331_	330	7.9	17	7.9	850	0.46	1200
CT0603LS_-391_	390	7.9	17	7.9	810	0.51	1200
CT0603LS_-471_	470	7.9	17	7.9	720	0.62	1050
CT0603LS_-561_	560	7.9	17	7.9	600	0.44	850
CT0603LS_-681_	680	7.9	17	7.9	600	0.52	850
CT0603LS_-781_	780	7.9	17	7.9	540	0.83	850
CT0603LS_-821_	820	7.9	17	7.9	480	0.69	750
CT0603LS_-102_	1000	7.9	18	7.9	310	0.81	600
CT0603LS_-122_	1200	7.9	17	7.9	270	0.87	550
CT0603LS_-152_	1500	7.9	17	7.9	270	1.06	540
CT0603LS_-182_	1800	7.9	17	7.9	230	1.10	520
CT0603LS_-222_	2200	7.9	17	7.9	150	1.20	500
CT0603LS_-272_	2700	7.9	17	7.9	105	1.50	480
CT0603LS_-332_	3300	7.9	17	7.9	84	1.50	440
CT0603LS_-392_	3900	7.9	17	7.9	80	1.60	430
CT0603LS_-472_	4700	7.9	18	7.9	69	2.10	420
CT0603LS_-562_	5600	7.9	18	7.9	65	2.60	400
CT0603LS_-682_	6800	7.9	19	7.9	55	3.10	400
CT0603LS_-782_	7800	7.9	17	7.9	47	3.50	400
CT0603LS_-822_	8200	7.9	17	7.9	42	3.60	400
CT0603LS_-103_	10000	7.9	19	7.9	40	4.80	300

### CHARACTERISTICS

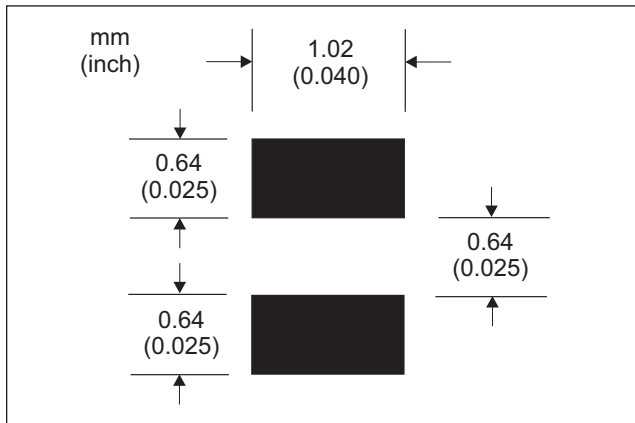
- Description:** SMD ferrite core wire-wound chip inductor
- Applications:** LC resonant circuits such as oscillator and signal generators, impedance matching, circuit isolation, RF filters, disk drives and computer peripherals, audio and video equipment, TV, radio and telecommunication equipment
- Operating Temperature:** -40°C to +85°C
- Inductance Tolerance:** ±5%, ±10%
- Testing:** Inductance and Q are tested on an HP4286A at specified frequency
- Packaging:** Tape & Reel, 4000 parts per reel
- Miscellaneous:** RoHS Compliant available.
- Marking:** Parts are marked with inductance code
- Additional Information:** Additional electrical & physical information available upon request
- Samples available. See website for ordering information.**

### PHYSICAL DIMENSIONS

Size	A Max.	B Max.	C Max.	D Ref.	E	F	G
mm	1.8	1.25	1.02	0.38	0.86	0.33	0.76
inches	0.071	0.049	0.040	0.015	0.034	0.013	0.030



### PAD LAYOUT



08.08.07