

DATA SHEET

For a complete data sheet, please also download:

- The IC06 74HC/HCT/HCU/HCMOS Logic Family Specifications
- The IC06 74HC/HCT/HCU/HCMOS Logic Package Information
- The IC06 74HC/HCT/HCU/HCMOS Logic Package Outlines

74HC/HCT356

8-input multiplexer/register; 3-state

Product specification
File under Integrated Circuits, IC06

December 1990

8-input multiplexer/register; 3-state

74HC/HCT356

FEATURES

- Non-transparent data latches
- Transparent address latch
- Easily expanding
- Complementary outputs
- Output capability: bus driver
- I_{CC} category: MSI

GENERAL DESCRIPTION

The 74HC/HCT356 are high-speed Si-gate CMOS devices and are pin compatible with low power Schottky TTL

(LSTTL). They are specified in compliance with JEDEC standard no. 7A.

The 74HC/HCT356 data selectors/multiplexers contain full on-chip binary decoding, to select one-of-eight data sources. The data select address is stored in transparent latches that are enabled by a LOW on the latch enable input \overline{LE} .

Data on the 8 input lines (D₀ to D₇) is clocked into a edge-triggered data register by a LOW-to-HIGH transition of the clock (CP).

When the output enable input $\overline{OE}_1 = \text{HIGH}$, $\overline{OE}_2 = \text{HIGH}$ or $\overline{OE}_3 = \text{LOW}$, the outputs go to the high impedance OFF-state.

Operation of these output enable inputs does not affect the state of the latches and register.

QUICK REFERENCE DATA

GND = 0 V; T_{amb} = 25 °C; t_r = t_f = 6 ns

SYMBOL	PARAMETER	CONDITIONS	TYPICAL		UNIT
			HC	HCT	
t _{PHL} / t _{PLH}	propagation delay S _n , \overline{LE} to Y, \overline{Y} CP to Y, \overline{Y}	C _L = 15 pF; V _{CC} = 5 V	24	25	ns
			20	22	ns
C _I	input capacitance		3.5	3.5	pF
C _{PD}	power dissipation capacitance per package	notes 1 and 2	123	125	pF

Notes

1. C_{PD} is used to determine the dynamic power dissipation (P_D in μW):

$$P_D = C_{PD} \times V_{CC}^2 \times f_i + \sum (C_L \times V_{CC}^2 \times f_o) \text{ where:}$$

f_i = input frequency in MHz

f_o = output frequency in MHz

$\sum (C_L \times V_{CC}^2 \times f_o)$ = sum of outputs

C_L = output load capacitance in pF

V_{CC} = supply voltage in V

2. For HC the condition is V_I = GND to V_{CC}
For HCT the condition is V_I = GND to V_{CC} - 1.5 V

ORDERING INFORMATION

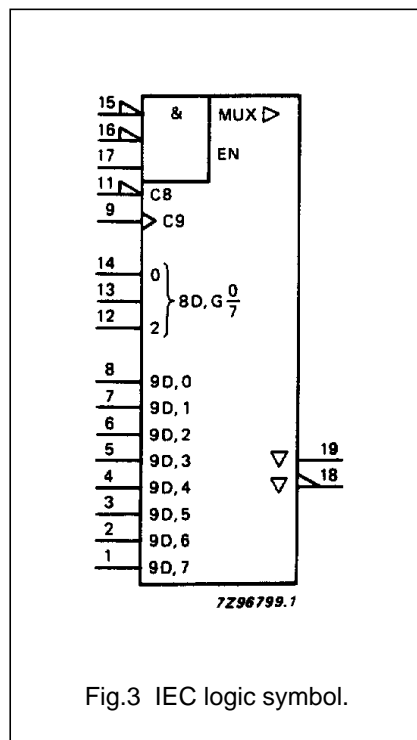
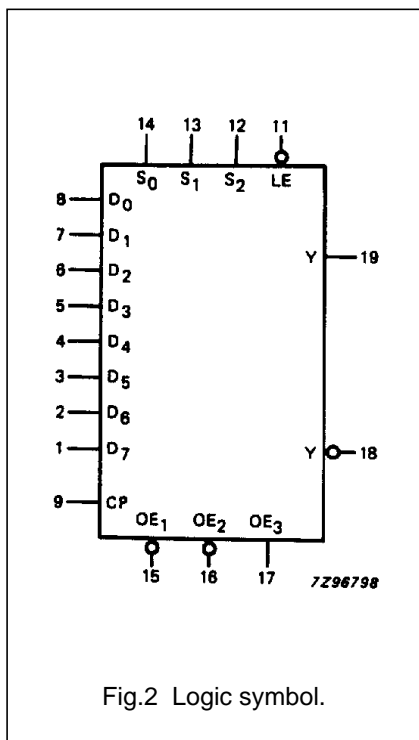
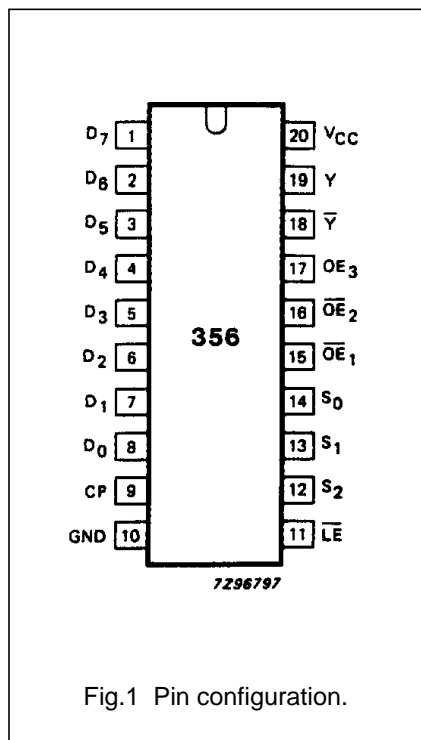
See "74HC/HCT/HCU/HCMOS Logic Package Information".

8-input multiplexer/register; 3-state

74HC/HCT356

PIN DESCRIPTION

PIN NO.	SYMBOL	NAME AND FUNCTION
8, 7, 6, 5, 4, 3, 2, 1	D ₀ to D ₇	data inputs
9	CP	clock input data (LOW-to-HIGH, edge-triggered)
10	GND	ground (0 V)
11	\overline{LE}	address latch enable input (active LOW)
14, 13, 12	S ₀ , S ₁ , S ₂	select inputs
15, 16	$\overline{OE_1}$, $\overline{OE_2}$	output enable inputs (active LOW)
17	OE ₃	output enable input (active HIGH)
18	\overline{Y}	3-state multiplexer output (active LOW)
19	Y	3-state multiplexer output (active HIGH)
20	V _{CC}	positive supply voltage



8-input multiplexer/register; 3-state

74HC/HCT356

FUNCTION TABLE

INPUTS							OUTPUTS		DESCRIPTION
ADDRESS ⁽¹⁾			CP	OUTPUT ENABLE			Y	\bar{Y}	
S ₂	S ₁	S ₀		\overline{OE}_1	\overline{OE}_2	OE ₃			
X	X	X	X	H	X	X	Z	Z	outputs in high impedance OFF-state
X	X	X	X	X	H	X	Z	Z	
X	X	X	X	X	X	L	Z	Z	
L	L	L	↑	L	L	H	D _{0n}	\overline{D}_{0n}	data is clocked into latch
L	L	H	↑	L	L	H	D _{1n}	\overline{D}_{1n}	
L	H	L	↑	L	L	H	D _{2n}	\overline{D}_{2n}	
L	H	H	↑	L	L	H	D _{3n}	\overline{D}_{3n}	
H	L	L	↑	L	L	H	D _{4n}	\overline{D}_{4n}	
H	L	H	↑	L	L	H	D _{5n}	\overline{D}_{5n}	
H	H	L	↑	L	L	H	D _{6n}	\overline{D}_{6n}	
H	H	H	↑	L	L	H	D _{7n}	\overline{D}_{7n}	
L	L	L	(2)	L	L	H	D _{0p}	\overline{D}_{0p}	outputs do not change states
L	L	H	(2)	L	L	H	D _{1p}	\overline{D}_{1p}	
L	H	L	(2)	L	L	H	D _{2p}	\overline{D}_{2p}	
L	H	H	(2)	L	L	H	D _{3p}	\overline{D}_{3p}	
H	L	L	(2)	L	L	H	D _{4p}	\overline{D}_{4p}	
H	L	H	(2)	L	L	H	D _{5p}	\overline{D}_{5p}	
H	H	L	(2)	L	L	H	D _{6p}	\overline{D}_{6p}	
H	H	H	(2)	L	L	H	D _{7p}	\overline{D}_{7p}	

Notes

1. This column shows the input address set-up with $\overline{LE} = \text{LOW}$ (address latch is transparent).
2. CP is HIGH, LOW or ↓.
3. D_{0n} to D_{7n} = data present at inputs D₀ to D₇ when the data latch clock made the transition from LOW-to-HIGH
D_{0p} to D_{7p} = data previously latched into the data latch by the LOW-to-HIGH transition of the data latch clock
H = HIGH voltage level
L = LOW voltage level
X = don't care
↑ = LOW-to-HIGH CP transition
↓ = HIGH-to-LOW CP transition
Z = high impedance OFF-state

8-input multiplexer/register; 3-state

74HC/HCT356

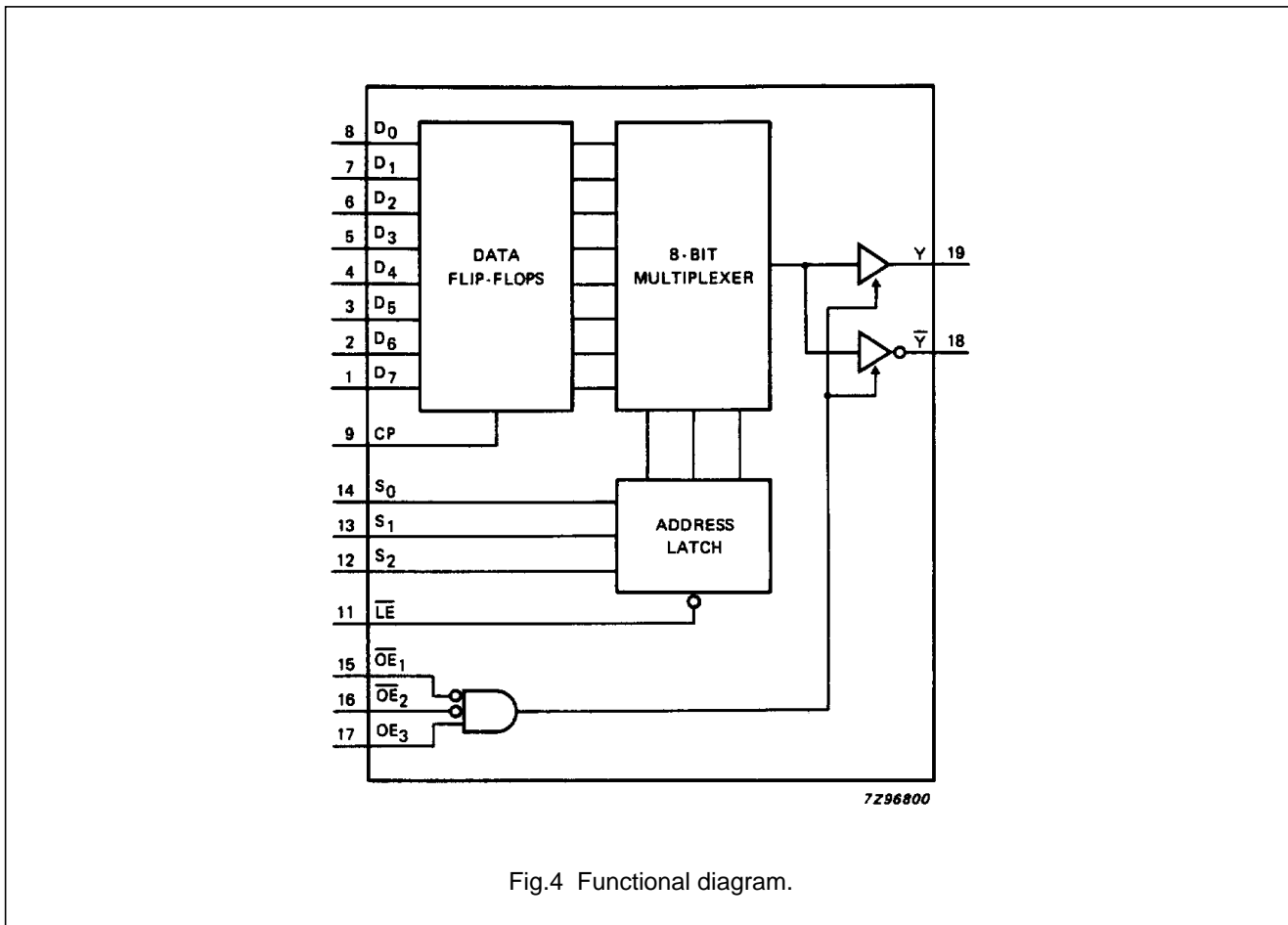


Fig.4 Functional diagram.

8-input multiplexer/register; 3-state

74HC/HCT356

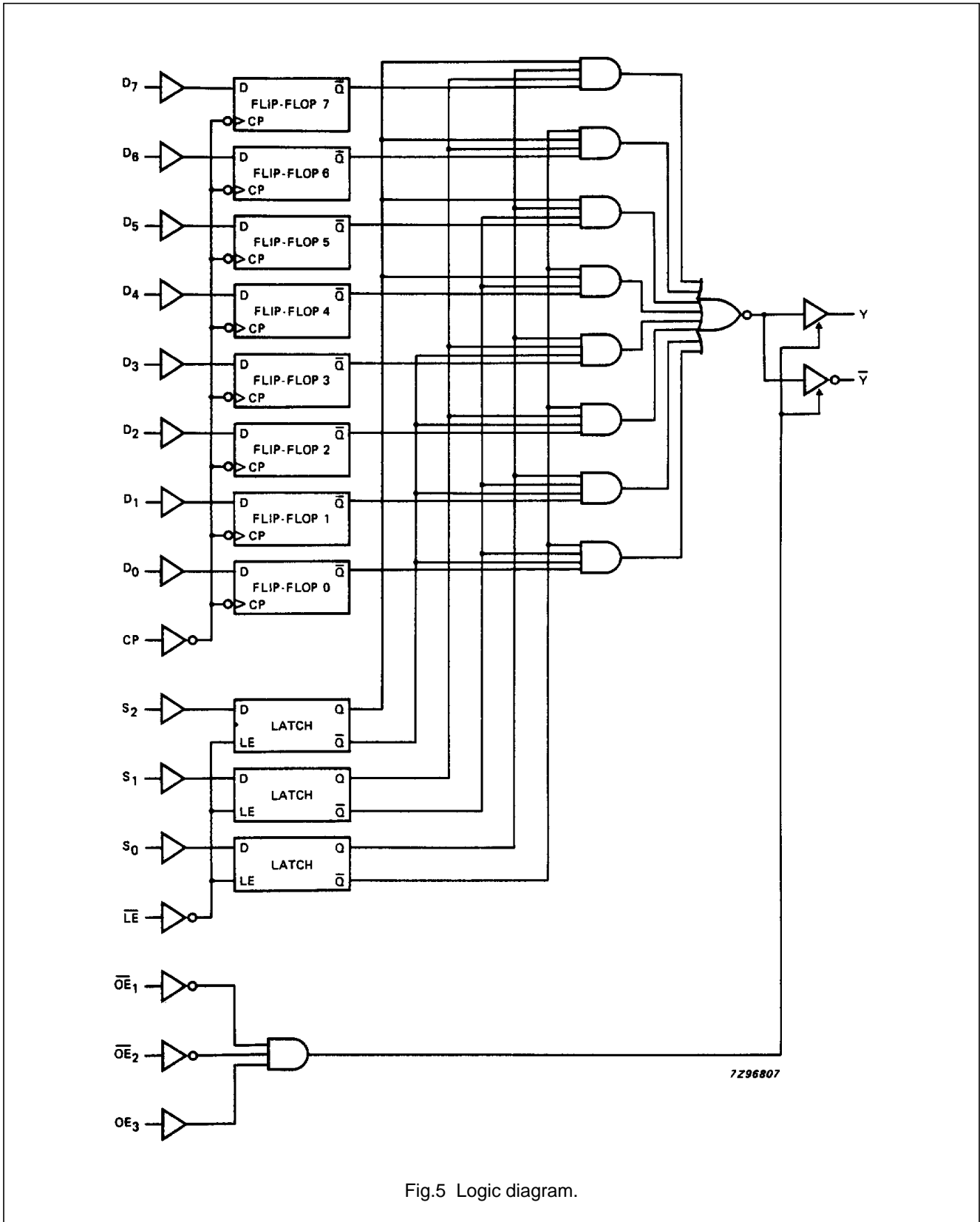


Fig.5 Logic diagram.

8-input multiplexer/register; 3-state

74HC/HCT356

DC CHARACTERISTICS FOR 74HC

For the DC characteristics see *"74HC/HCT/HCU/HCMOS Logic Family Specifications"*.

Output capability: bus driver

I_{CC} category: MSI

AC CHARACTERISTICS FOR 74HC

GND = 0 V; t_r = t_f = 6 ns; C_L = 50 pF

SYMBOL	PARAMETER	T _{amb} (°C)						UNIT	TEST CONDITIONS		
		74HC							V _{CC} (V)	WAVEFORMS	
		+25			-40 to +85		-40 to +125				
		min.	typ.	max.	min.	max.	min.				max.
t _{PHL} / t _{PLH}	propagation delay CP to Y, \bar{Y}		66 24 19	240 48 41		300 60 51		360 72 61	ns	2.0 4.5 6.0	Fig.6
t _{PHL} / t _{PLH}	propagation delay S _n to Y, \bar{Y}		77 28 22	260 52 44		325 65 55		390 78 66	ns	2.0 4.5 6.0	Fig.7
t _{PHL} / t _{PLH}	propagation delay \overline{LE} to Y, \bar{Y}		77 28 22	270 54 46		340 68 58		405 81 69	ns	2.0 4.5 6.0	Fig.8
t _{PZH} / t _{PZL}	3-state output enable time \overline{OE}_n to Y, \bar{Y}		41 15 12	125 25 21		155 31 26		190 38 32	ns	2.0 4.5 6.0	Fig.11
t _{PZH} / t _{PZL}	3-state output enable time OE ₃ to Y, \bar{Y}		47 17 14	150 30 26		190 38 33		225 45 38	ns	2.0 4.5 6.0	Fig.11
t _{PHZ} / t _{PLZ}	3-state output disable time \overline{OE}_n to Y, \bar{Y}		50 18 14	155 31 26		195 39 33		235 47 40	ns	2.0 4.5 6.0	Fig.11
t _{PHZ} / t _{PLZ}	3-state output disable time OE ₃ to Y, \bar{Y}		58 21 17	155 31 26		195 39 33		235 47 40	ns	2.0 4.5 6.0	Fig.11
t _{THL} / t _{TLH}	output transition time		14 5 4	60 12 10		75 15 13		90 18 15	ns	2.0 4.5 6.0	Figs 6, 7 and 8
t _w	clock pulse width CP HIGH or LOW	80 16 14	17 6 5		100 20 17		120 24 20		ns	2.0 4.5 6.0	Fig.6
t _w	latch enable pulse width \overline{LE} LOW	80 16 14	17 6 5		100 20 17		120 24 20		ns	2.0 4.5 6.0	Fig.8
t _{su}	set-up time D _n to CP	50 10 9	11 4 3		65 13 11		75 15 13		ns	2.0 4.5 6.0	Fig.10

8-input multiplexer/register; 3-state

74HC/HCT356

SYMBOL	PARAMETER	T _{amb} (°C)						UNIT	TEST CONDITIONS		
		74HC							V _{CC} (V)	WAVEFORMS	
		+25			-40 to +85		-40 to +125				
		min.	typ.	max.	min.	max.	min.				max.
t _{su}	set-up time S _n to \overline{LE}	50	14		65		75	ns	2.0 4.5 6.0	Fig.9	
		10	5		13		15				
		9	4		11		13				
t _h	hold time D _n to CP	5	-6		5		5	ns	2.0 4.5 6.0	Fig.10	
		5	-2		5		5				
		5	-2		5		5				
t _h	hold time S _n to \overline{LE}	5	-8		5		5	ns	2.0 4.5 6.0	Fig.9	
		5	-3		5		5				
		5	-2		5		5				

8-input multiplexer/register; 3-state**74HC/HCT356**

DC CHARACTERISTICS FOR 74HCT

For the DC characteristics see *"74HC/HCT/HCU/HCMOS Logic Family Specifications"*.

Output capability: bus driver

I_{CC} category: MSI

Note to HCT types

The value of additional quiescent supply current (ΔI_{CC}) for a unit load of 1 is given in the family specifications. To determine ΔI_{CC} per input, multiply this value by the unit load coefficient shown in the table below.

INPUT	UNIT LOAD COEFFICIENT
D _n , S _n	0.2
OE ₃	0.25
\overline{LE}	0.5
\overline{OE}_n , CP	1.0

8-input multiplexer/register; 3-state

74HC/HCT356

AC CHARACTERISTICS FOR 74HCT

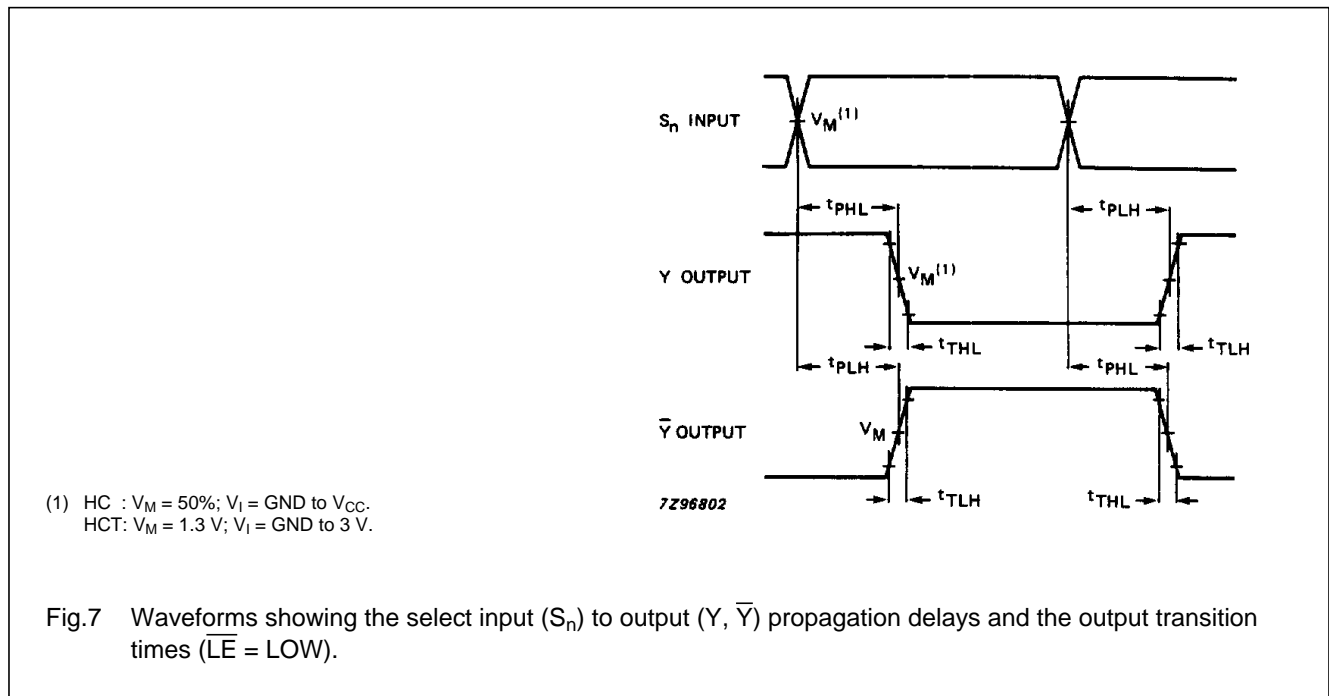
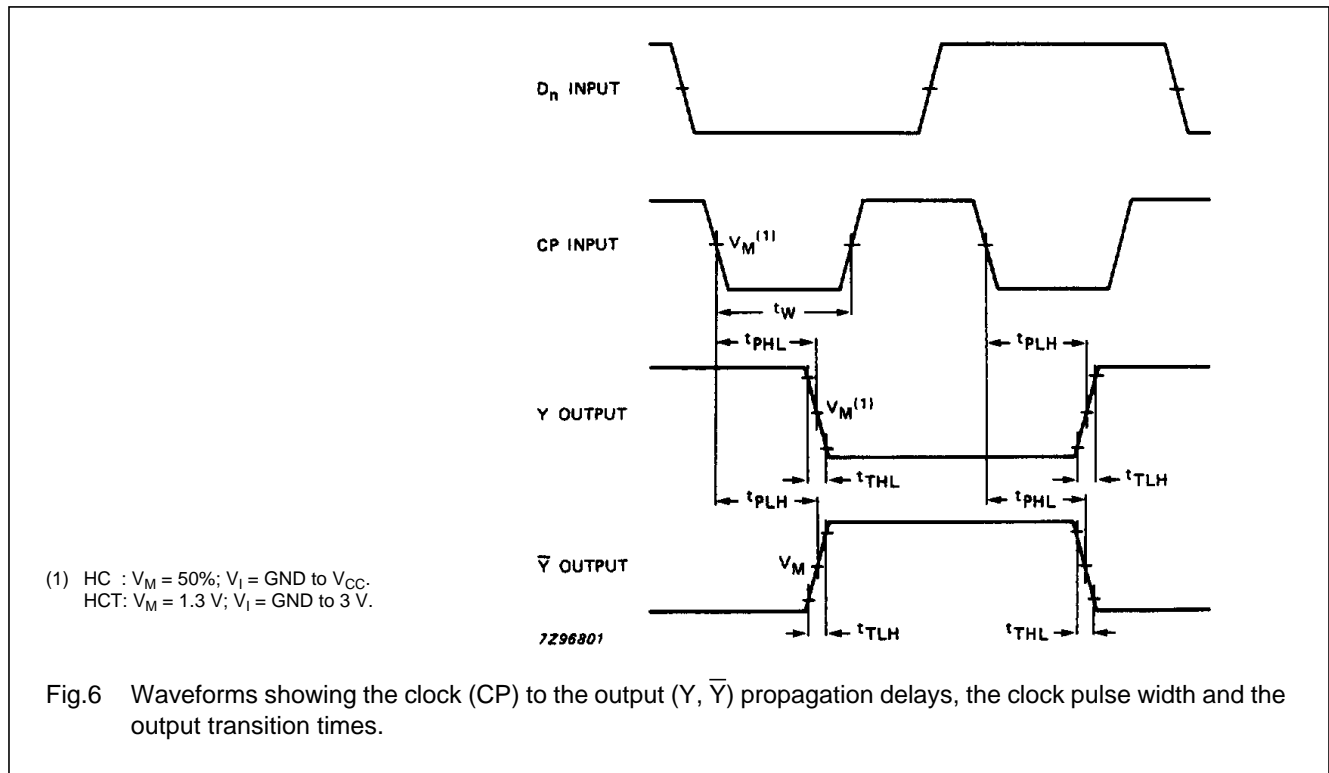
GND = 0 V; $t_r = t_f = 6$ ns; $C_L = 50$ pF

SYMBOL	PARAMETER	T_{amb} (°C)						UNIT	TEST CONDITIONS		
		74HCT							V_{CC} (V)	WAVEFORMS	
		+25			-40 to +85		-40 to +125				
		min.	typ.	max.	min.	max.	min.				max.
t_{PHL}/t_{PLH}	propagation delay CP to Y, \bar{Y}		26	51		64		77	ns	4.5	Fig.6
t_{PHL}/t_{PLH}	propagation delay S_n to Y, \bar{Y}		28	59		74		89	ns	4.5	Fig.7
t_{PHL}/t_{PLH}	propagation delay \bar{LE} to Y, \bar{Y}		29	63		79		95	ns	4.5	Fig.8
t_{PZH}/t_{PZL}	3-state output enable time \bar{OE}_n to Y, \bar{Y}		17	34		43		51	ns	4.5	Fig.11
t_{PZH}/t_{PZL}	3-state output enable time OE_3 to Y, \bar{Y}		18	34		43		51	ns	4.5	Fig.11
t_{PHZ}/t_{PLZ}	3-state output disable time \bar{OE}_n to Y, \bar{Y}		17	33		41		50	ns	4.5	Fig.11
t_{PHZ}/t_{PLZ}	3-state output disable time OE_3 to Y, \bar{Y}		20	33		41		50	ns	4.5	Fig.11
t_{THL}/t_{TLH}	output transition time		5	12		15		18	ns	4.5	Figs 6, 7 and 8
t_W	clock pulse width CP HIGH or LOW	16	8		20		24		ns	4.5	Fig.6
t_W	latch enable pulse width \bar{LE} LOW	16	6		20		24		ns	4.5	Fig.8
t_{su}	set-up time D_n to CP	10	4		13		15		ns	4.5	Fig.10
t_{su}	set-up time S_n to \bar{LE}	10	5		13		15		ns	4.5	Fig.9
t_h	hold time D_n to CP	5	0		5		5		ns	4.5	Fig.10
t_h	hold time S_n to \bar{LE}	5	-2		5		5		ns	4.5	Fig.9

8-input multiplexer/register; 3-state

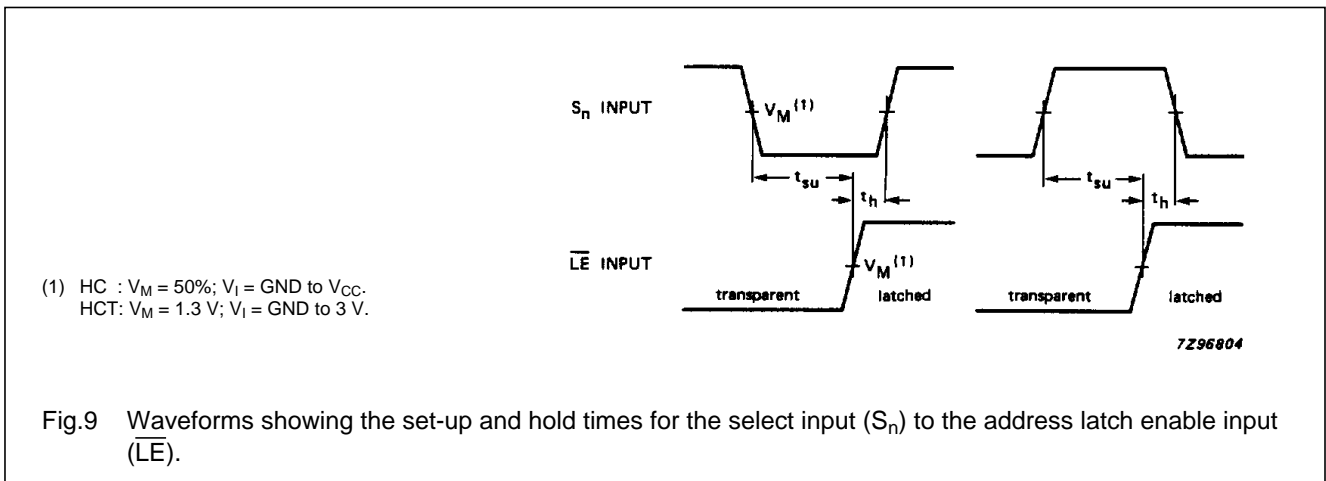
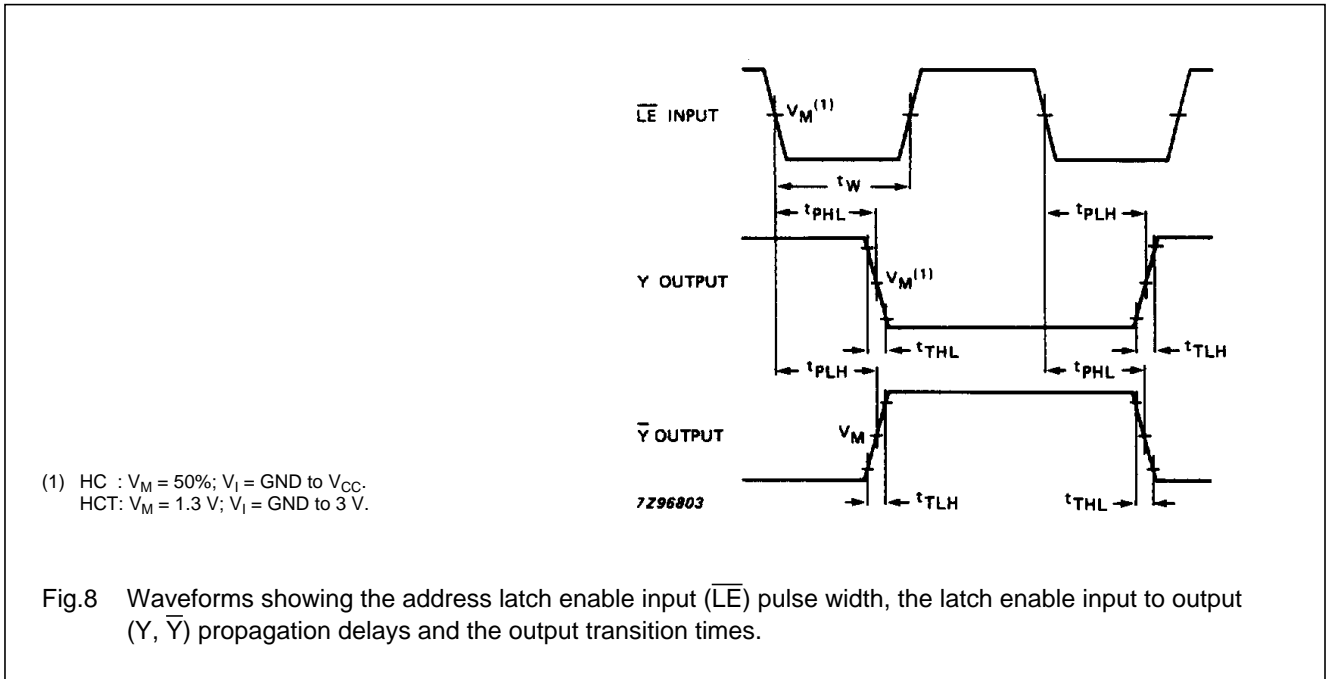
74HC/HCT356

AC WAVEFORMS



8-input multiplexer/register; 3-state

74HC/HCT356



8-input multiplexer/register; 3-state

74HC/HCT356

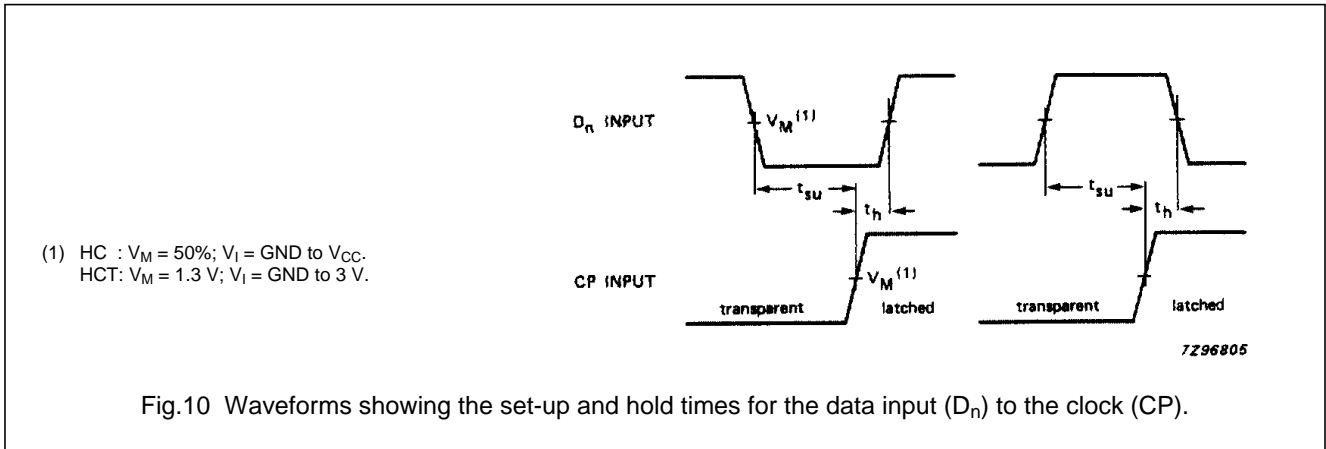


Fig.10 Waveforms showing the set-up and hold times for the data input (D_n) to the clock (CP).

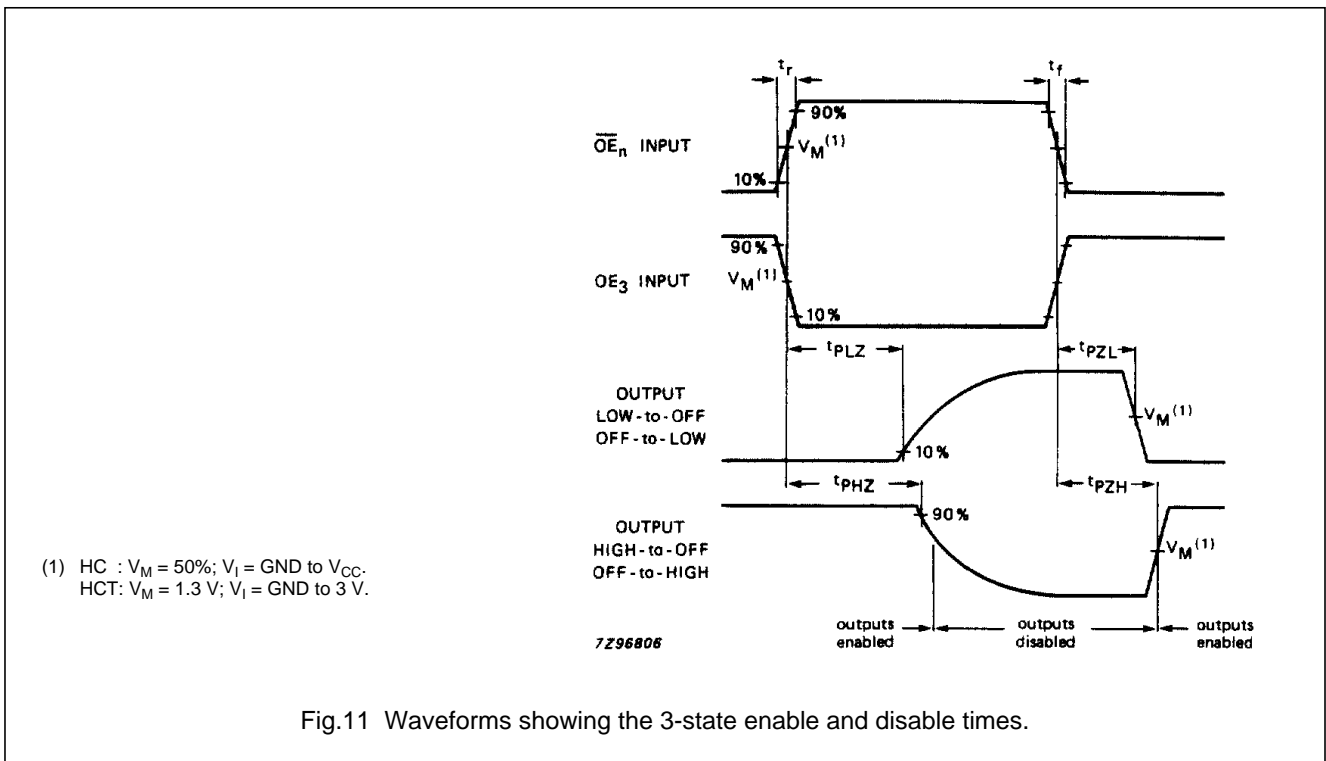


Fig.11 Waveforms showing the 3-state enable and disable times.

PACKAGE OUTLINES

See "74HC/HCT/HCU/HCMOS Logic Package Outlines".