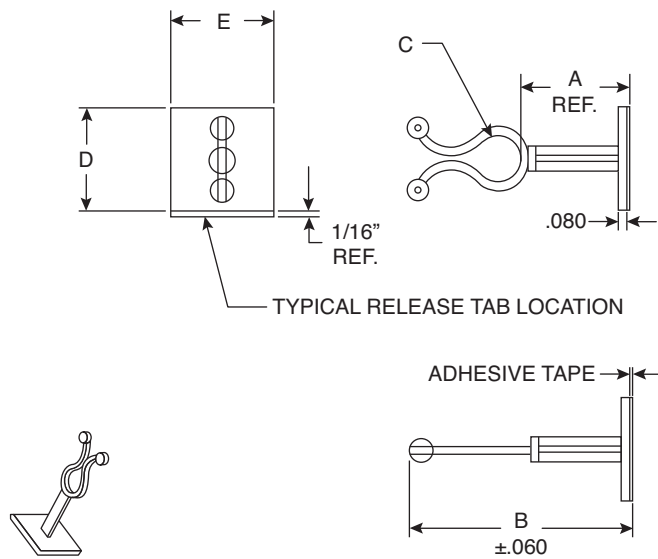


Twist Lock Support on Adhesive Base

561-EZAB450T

Last Revised: 7/19/10




RoHS Compliant

Item Number	Description	A	B	C	D	E
561-EZAB450T	"EZ" Twist Lock Support on Adhesive Base	0.190*(ref.)	1.230	0.450	1.000(±0.015)	0.520(±0.005)

Available from Mouser Electronics
1-800-346-6873 / www.mouser.com

EPD-200888

Mouser Electronics

Authorized Distributor

Click to View Pricing, Inventory, Delivery & Lifecycle Information:

[Eagle Plastic Devices:](#)

[561-EZAB450T](#)