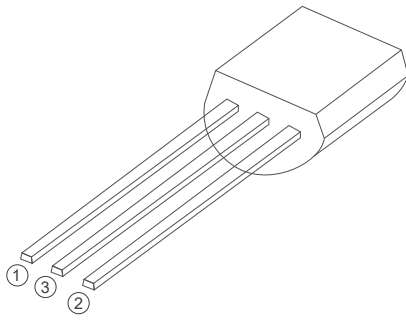
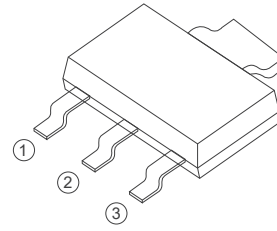


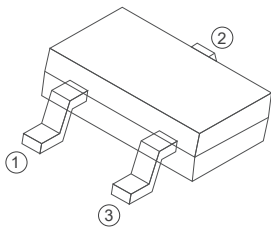
MAC97 Series
1A TRIACs
4 Quadrants



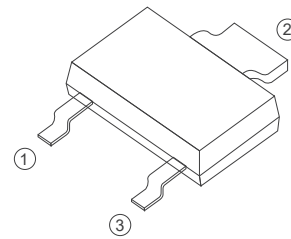
TO-92



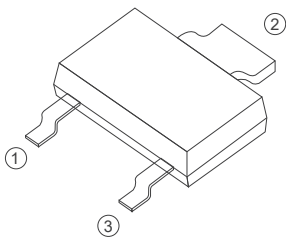
SOT-223



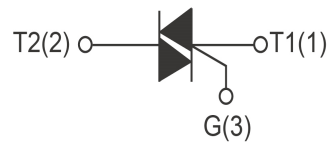
SOT-23-3L



SOT-223-2L



SOT-89-2L



FEATURES

> $I_T(RMS)$: 1A > V_{GT} : 1.5V > V_{DRM} V_{RRM} : 600V and 800V

APPLICATIONS

Washing machine, vacuums, massager, solid state relay, AC Motor speed regulation and so on.

Absolute Maximum Ratings (T_J=25°C unless otherwise specified)

| Symbol | Parameter | Conditions | Ratings | Unit |
|------------------|-----------------------------------|--|---------|------------------|
| VDRM VRRM | Repetitive Peak Off-State Voltage | MAC97A6 | 600/800 | V |
| | | MAC97A8 | | |
| IT(RMS) | R.M.S On-State Current | T _c =110°C | 1 | A |
| ITSM | Surge On-State Current | T _p =10ms | 12 | |
| I ² t | I ² t for fusing | T _p =10ms | 0.72 | A ² s |
| PG(AV) | Average Gate Power Dissipation | T _J =125°C | 0.3 | W |
| IGM | Peak Gate Current | t _p =20us T _J =125°C | 1.2 | A |
| T _J | Operating Junction Temperature | | ~40~125 | °C |
| TSTG | Storage Temperature | | ~40~150 | |

Electrical Characteristics (T_J=25°C unless otherwise specified)

| Symbol | Parameter | Test Conditions | Value | Unit | |
|--------|---|---|----------|------|-------|
| IDRM | Repetitive Peak Off-State Current | T _J =25°C | ≤10 | uA | |
| | | T _J =110°C | ≤200 | uA | |
| IRRM | Repetitive Peak Reverse Current | T _J =25°C | ≤10 | uA | |
| | | T _J =110°C | ≤200 | uA | |
| VTM | Forward "on" voltage | I _T =1.6A t _p =380us | ≤1.5 | V | |
| VGD | Gate non-trigger voltage | V _D =V _{DRM} , T _J =110°C | ≥0.2 | V | |
| IH | Holding current | V _D =12V ,I _{GT} =0.1A | I,II,III | ≤5 | mA |
| | | | IV | ≤10 | mA |
| VGT | Gate trigger voltage | V _D =12V | ≤1.2 | V | |
| IGT | Gate trigger current | V _D =12V | I,II,III | ≤3 | mA |
| | | | IV | ≤7 | mA |
| di/dt | Critical-rate of rise of commutation current. | I _T =1A I _G =0.2A, dI _G /dt=0.2A/us | I,II,III | ≥50 | A /us |
| | | | IV | ≥10 | A /us |
| dv/dt | Critical-rate of rise of commutation voltage | T _J =110°C V _D =2/3V _{DRM} | ≥30 | V/us | |

FIG1

Maximum power dissipation versus RMS on-state current

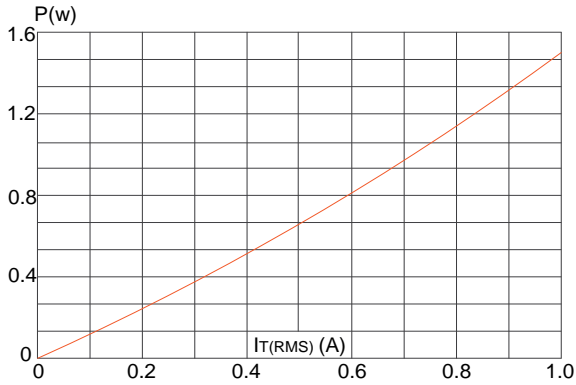


FIG2

RMS on-state current versus case temperature

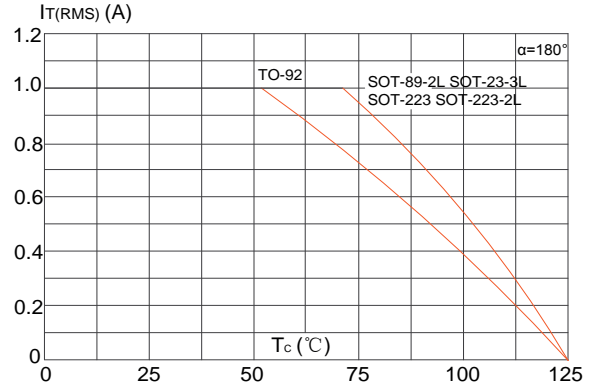


FIG3

Surge peak on-state current versus number of cycles

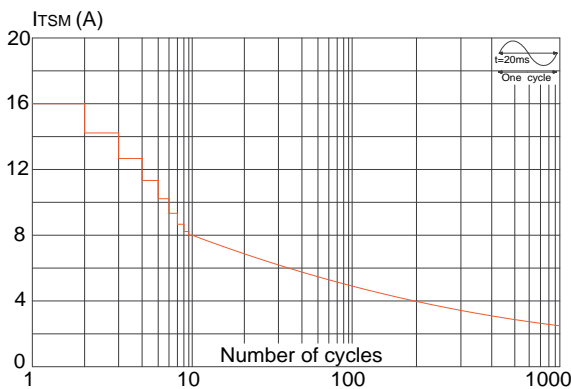


FIG4

On-state characteristics (maximum values)

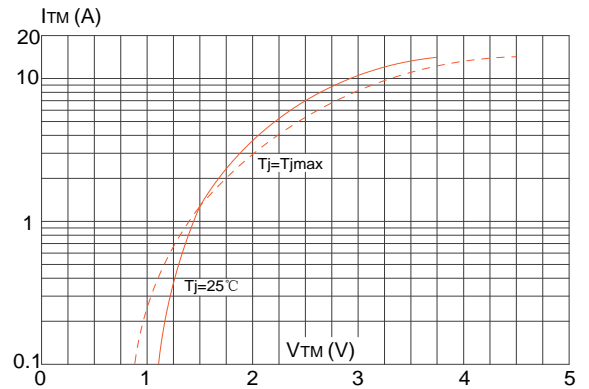


FIG5

Non-repetitive surge peak on-state current for a sinusoidal pulse with width $t_p < 20ms$, and corresponding value of I^2t ($di/dt < 100A/\mu s$)

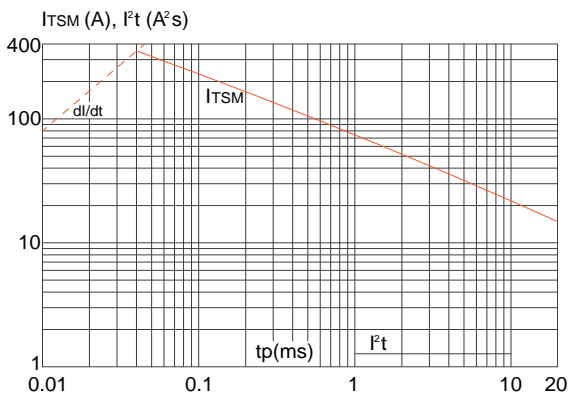
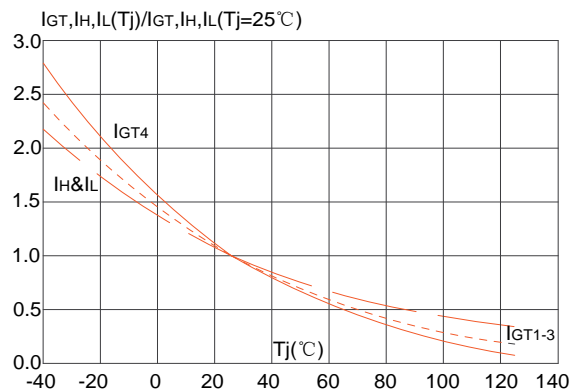
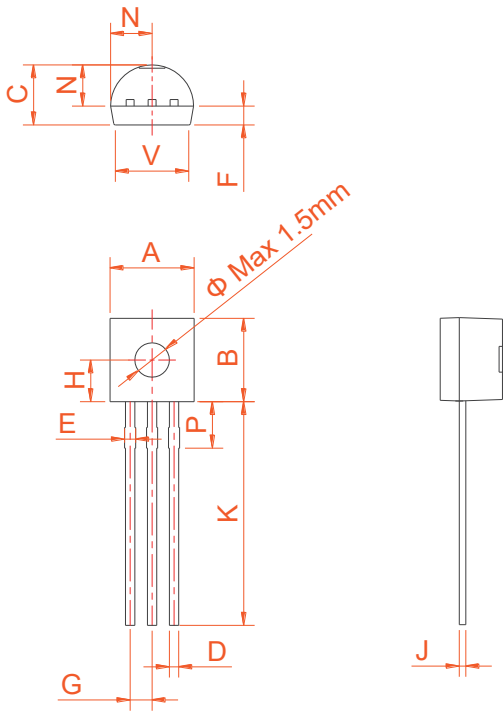


FIG6

Relative variations of gate trigger current, holding current and latching current versus junction temperature



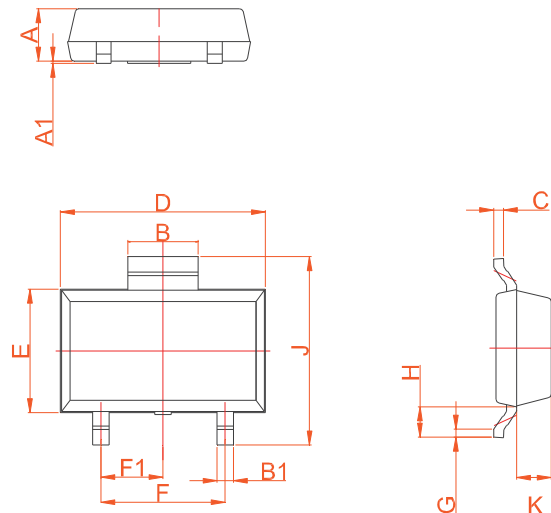
PACKAGE MECHANICAL DATA



TO-92

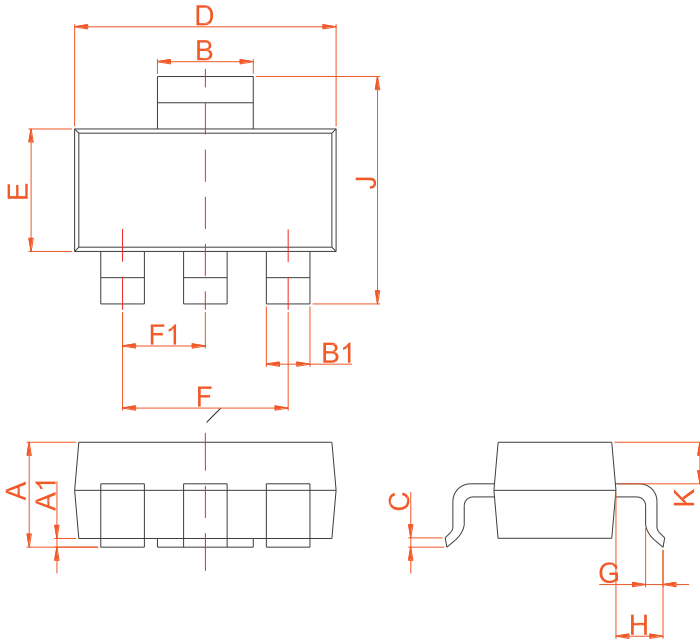
| Ref. | Dimensions | | | | | |
|------|-------------|------|-------|--------|-------|-------|
| | Millimeters | | | Inches | | |
| | Min. | Typ. | Max. | Min. | Typ. | Max. |
| A | 4.45 | | 5.20 | 0.175 | | 0.205 |
| B | 4.32 | | 5.33 | 0.170 | | 0.210 |
| C | 3.18 | | 4.19 | 0.125 | | 0.165 |
| D | 0.407 | | 0.533 | 0.016 | | 0.021 |
| E | 0.60 | | 0.80 | 0.024 | | 0.031 |
| F | - | 1.1 | - | - | 0.043 | - |
| G | - | 1.27 | - | - | 0.050 | - |
| H | - | 2.30 | - | - | 0.091 | - |
| J | 0.36 | | 0.50 | 0.014 | | 0.020 |
| K | 12.70 | | 15.0 | 0.500 | | 0.591 |
| N | 2.04 | | 2.66 | 0.080 | | 0.105 |
| P | 1.86 | | 2.06 | 0.073 | | 0.081 |
| V | - | | 4.3 | - | | 0.169 |

| Ref. | Dimensions | | | | | |
|------|-------------|-------|------|--------|-------|-------|
| | Millimeters | | | Inches | | |
| | Min. | Typ. | Max. | Min. | Typ. | Max. |
| A | 1.3 | 1.4 | 1.5 | 0.051 | 0.055 | 0.059 |
| A1 | 0.01 | 0.06 | 0.10 | 0.001 | 0.002 | 0.004 |
| B | 1.6 | 1.7 | 1.8 | 0.063 | 0.067 | 0.071 |
| B1 | 0.3 | 0.4 | 0.5 | 0.012 | 0.016 | 0.020 |
| C | 0.22 | 0.254 | 0.32 | 0.009 | 0.010 | 0.013 |
| D | 4.75 | 4.95 | 5.15 | 0.187 | 0.195 | 0.203 |
| E | 2.75 | 2.95 | 3.15 | 0.108 | 0.116 | 0.124 |
| F | | 3.0 | | | 0.118 | |
| F1 | | 1.5 | | | 0.059 | |
| G | 0.2 | 0.3 | 0.4 | 0.008 | 0.012 | 0.016 |
| H | 0.58 | 0.78 | 0.98 | 0.023 | 0.031 | 0.039 |
| J | 4.3 | 4.5 | 4.7 | 0.169 | 0.177 | 0.185 |
| K | | 0.88 | | | 0.035 | |



SOT-89-2L

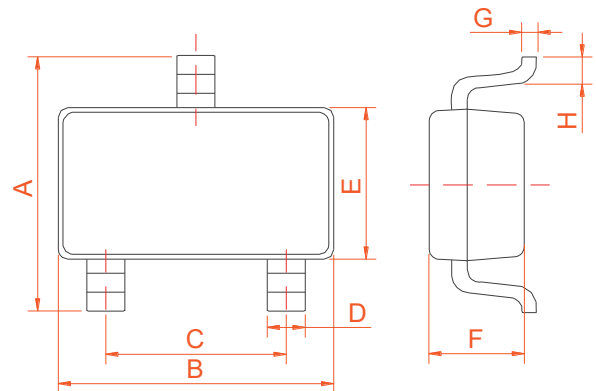
PACKAGE MECHANICAL DATA



SOT-223

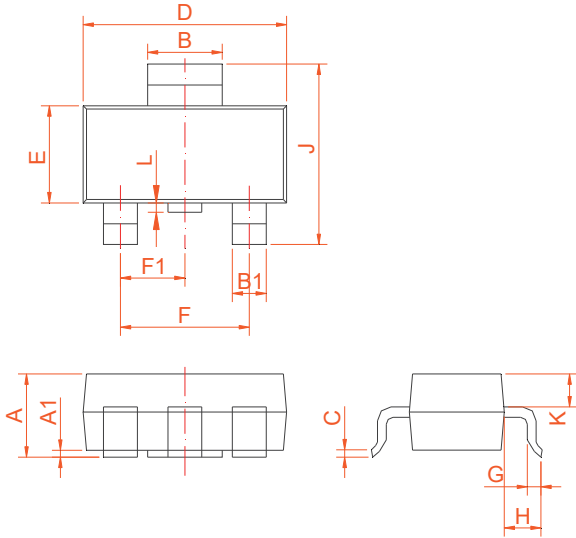
| Ref. | Dimensions | | | | | |
|------|-------------|------|------|--------|-------|-------|
| | Millimeters | | | Inches | | |
| | Min. | Typ. | Max. | Min. | Typ. | Max. |
| A | 1.5 | 1.6 | 1.8 | 0.059 | 0.063 | 0.071 |
| A1 | 0 | 0.06 | 0.10 | 0 | 0.002 | 0.004 |
| B | 2.9 | 3.0 | 3.1 | 0.114 | 0.118 | 0.122 |
| B1 | 0.6 | 0.7 | 0.8 | 0.024 | 0.028 | 0.031 |
| C | 0.22 | 0.26 | 0.32 | 0.009 | 0.010 | 0.013 |
| D | 6.3 | 6.5 | 6.7 | 0.248 | 0.256 | 0.264 |
| E | 3.3 | 3.5 | 3.7 | 0.130 | 0.138 | 0.146 |
| F | | 4.6 | | | 0.181 | |
| F1 | | 2.3 | | | 0.091 | |
| G | 0.7 | 0.9 | 1.1 | 0.028 | 0.035 | 0.043 |
| H | 1.5 | 1.75 | 2.0 | 0.059 | 0.069 | 0.079 |
| J | 6.7 | 7.0 | 7.3 | 0.264 | 0.276 | 0.287 |
| K | 0.8 | 0.9 | 1.0 | 0.031 | 0.035 | 0.039 |

| Ref. | Dimensions | | | | | |
|------|-------------|------|------|--------|-------|-------|
| | Millimeters | | | Inches | | |
| | Min. | Typ. | Max. | Min. | Typ. | Max. |
| A | 2.65 | | 2.95 | 0.104 | | 0.116 |
| B | | 2.92 | | | 0.115 | |
| C | | 1.90 | | | 0.075 | |
| D | 0.34 | | 0.36 | 0.013 | | 0.014 |
| E | | 1.60 | | | 0.063 | |
| F | | 1.17 | | | 0.046 | |
| G | | 0.15 | | | 0.006 | |
| H | 0.25 | | 0.55 | 0.010 | | 0.022 |



SOT-23-3L

PACKAGE MECHANICAL DATA



SOT-223-2L

| Ref. | Dimensions | | | | | |
|------|-------------|-------|------|--------|-------|-------|
| | Millimeters | | | Inches | | |
| | Min. | Typ. | Max. | Min. | Typ. | Max. |
| A | 1.50 | 1.60 | 1.80 | 0.059 | 0.063 | 0.071 |
| A1 | 0.01 | 0.06 | 0.10 | 0.001 | 0.002 | 0.004 |
| B | 2.90 | 3.00 | 3.10 | 0.114 | 0.118 | 0.122 |
| B1 | 0.60 | 0.70 | 0.80 | 0.024 | 0.028 | 0.031 |
| C | 0.22 | 0.254 | 0.32 | 0.009 | 0.010 | 0.013 |
| D | 6.30 | 6.50 | 6.70 | 0.248 | 0.256 | 0.264 |
| E | 3.30 | 3.50 | 3.70 | 0.130 | 0.138 | 0.146 |
| F | | 4.60 | | | 0.181 | |
| F1 | | 2.30 | | | 0.091 | |
| G | 0.70 | 0.90 | 1.10 | 0.028 | 0.035 | 0.043 |
| H | 1.50 | 1.75 | 2.00 | 0.059 | 0.069 | 0.079 |
| J | 6.70 | 7.00 | 7.30 | 0.264 | 0.276 | 0.287 |
| K | | 0.90 | | | 0.035 | |
| L | 0 | 0.10 | 0.20 | 0 | 0.004 | 0.008 |

Information furnished is believed to be accurate and reliable. However, Shenzhen HanKingyuan Electronic assumes no responsibility for the consequences of use of such information nor for any infringement of patents or other rights of third parties which may result from its use. Specifications mentioned in this publication are subject to change without notice. This publication supersedes and replaces all information previously supplied.

The KY logo is a registered trademark of Shenzhen HanKingyuan Electronic.

©2013 Shenzhen HanKingyuan Electronic - Printed in Shenzhen - All Rights Reserved