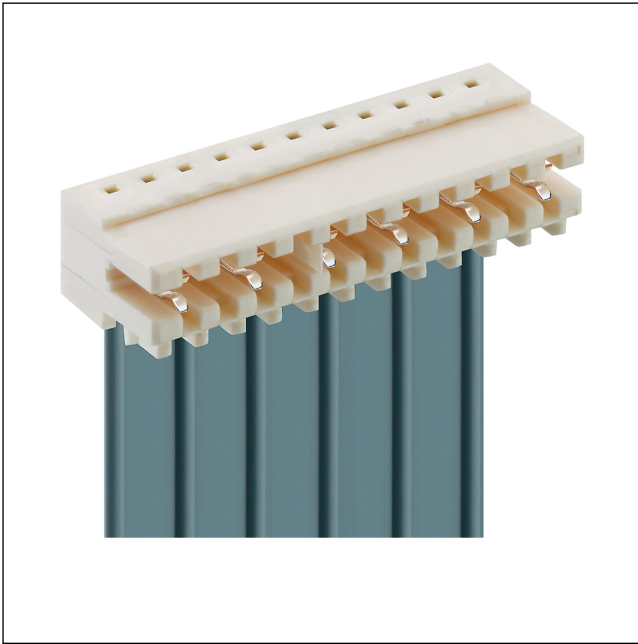


35


3511-2

RAST 2.5 connectors, pitch 2.5/5.0 mm



RAST 2.5 connector for direct mating, insulation displacement technology (IDT), alternatively with or without keying rib and closed sides, for ribbon cable contact pitch 5.0 mm

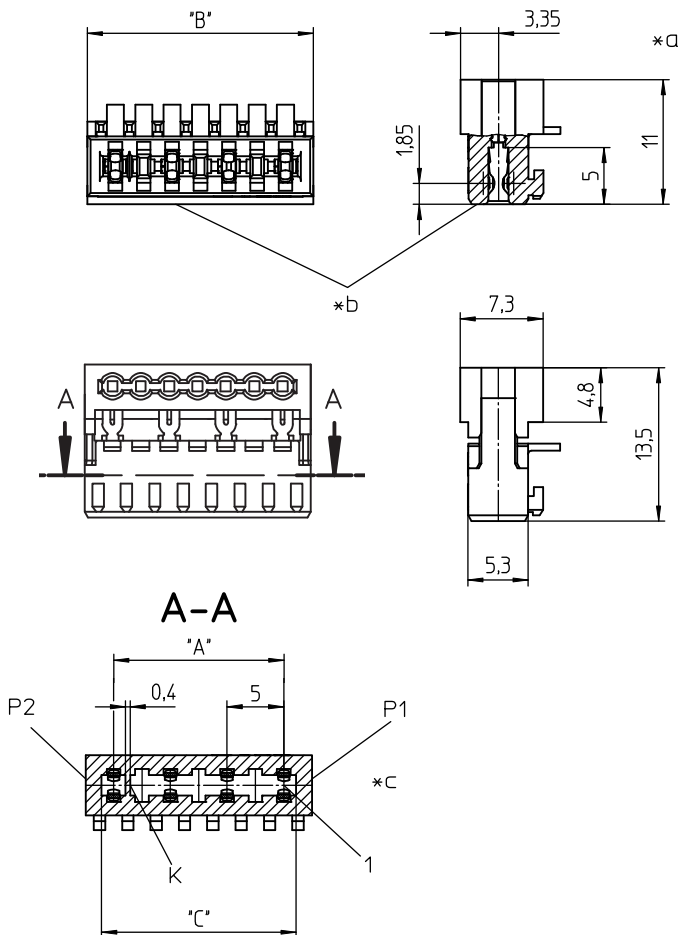
---

Approvals: 

---

35

3511-2



### Environmental conditions

Temperature range -40 °C/+130 °C<sup>1</sup>

<sup>1</sup> upper limit temperature (insulating body) RTI (electrical) of the UL Yellow Card


### Materials

Insulating body PBT, V-0 according to UL94 – 3511-2 (S...V...)  
PA, V-2 according to UL94 – 3511-2 M12(S...V...)<sup>1</sup>


Contact spring CuSn, tin-plated – 3511-2 (M...S...)  
CuSn, tin-plated (Sn/Ag), 2-9 poles – 3511-2 (M...S...)V03  
CuSn, pre-nickel and gold-plated – 3511-2 (M...S...)V102

<sup>1</sup> M12: component glow wire resistant (GWT 750 °C), testing acc. to IEC 60695-2-11, assessment acc. to IEC 60335-1 (flame < 2 s)

### Mechanical data

Mating with printed circuit board 1.5 ± 0.14 mm  
Insertion force/contact ≤ 4,0 N  
Withdrawal force/contact ≥ 0,5 N  
Keying proposals at [www.lumberg.com](http://www.lumberg.com) 

### Connectable conductors for IDT area

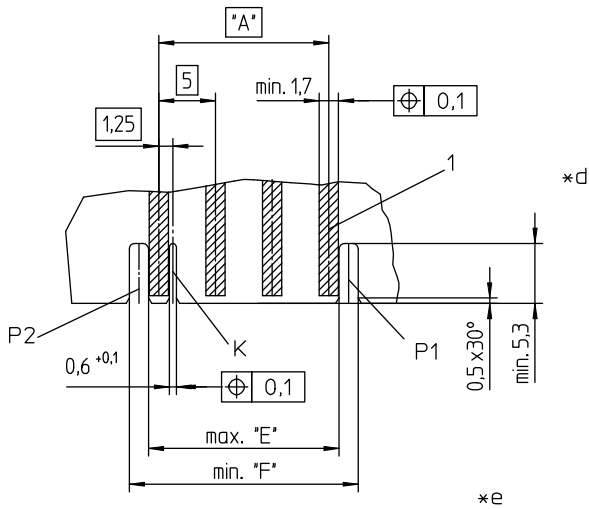
Construction discrete conductor, flat cable 2.5 mm  
Section min. 0,14 mm<sup>2</sup>  
Section max. 0,38 mm<sup>2</sup>  
Insulation diameter ≤ 1,6 mm  
Approved cables at [www.lumberg.com](http://www.lumberg.com) 

### Electrical data (at T<sub>amb</sub> 20 °C)

Contact resistance ≤ 5 mΩ  
Rated current 4 A (T<sub>U</sub>> 60 °C)  
2 A (T<sub>U</sub>> 100 °C)  
Rated voltage 250 V AC  
Material group IIIa (IEC)/2 (UL) (CTI ≥ 250)  
Creepage distance 3,1 mm  
Clearance 3,1 mm  
Insulation resistance > 1 GΩ

35

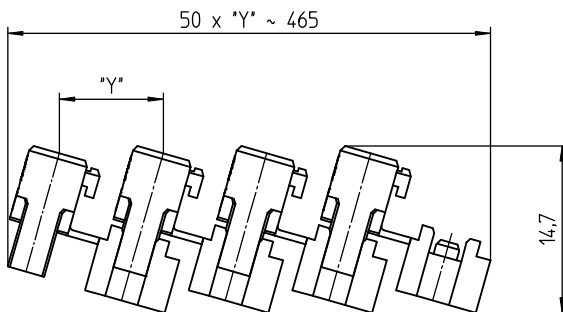
3511-2



**Associated products**

**Harnessing equipment**

<input type="checkbox"/> HA3...e	<input type="checkbox"/> HA35-CA	<input type="checkbox"/> HA35e
<input type="checkbox"/> HA35e-CA	<input type="checkbox"/> HA35e-RK	<input type="checkbox"/> HA35f
<input type="checkbox"/> HA35f-CA	<input type="checkbox"/> HA35f-CA-KC	<input type="checkbox"/> HA35f-CA-KC-KT
<input type="checkbox"/> HA35f-CA-KC-KT-HV	<input type="checkbox"/> HA35f-HV	<input type="checkbox"/> HA35f-KC
<input type="checkbox"/> HA35f-KC-KT	<input type="checkbox"/> HA35f-RK	<input type="checkbox"/> HA35f-RK-CA
<input type="checkbox"/> HA35f-RK-CA-KC	<input type="checkbox"/> HA35f-RK-CA-KC-KT	<input type="checkbox"/> HA35f-RK-CA-KC-KT-HV
<input type="checkbox"/> HZ-M35	<input type="checkbox"/> HZ35	<input type="checkbox"/> HZ35-K
<input type="checkbox"/> KHP35	<input type="checkbox"/> VARICON 7000	<input type="checkbox"/> VARICON 7000-RD



- \*a terminated connector
- \*b color marking:  
3511-2 (M..)S01 blue  
3511-2 (M..)S02 green  
3511-2 (M..)S03 brown
- \*c K = keying (alternatively)  
P1, P2 = positioning (alternatively)
- \*d example for printed circuit board layout
- \*e chaining of the component parts (state of delivery)

Designation	Pole Number	PU (Pieces)	MDQ (Pieces)	Dimensions				
				A (mm)	B (mm)	C (mm)	E (mm)	F (mm)
3511-2 02	2	3600	3600	5.0	9.9	7.0	6.95	10.1
3511-2 03	3	2250	4500	10.0	14.9	12.0	11.95	15.1
3511-2 04	4	1800	3600	15.0	19.9	17.0	16.95	20.1
3511-2 05	5	1350	2700	20.0	24.9	22.0	21.95	25.1
3511-2 06	6	900	2700	25.0	29.9	27.0	26.95	30.1
3511-2 07	7	900	2700	30.0	34.9	32.0	31.95	35.1
3511-2 08	8	900	2700	35.0	39.9	37.0	36.95	40.1
3511-2 09	9	450	2700	40.0	44.9	42.0	41.95	45.1
3511-2 10	10	450	2700	45.0	49.9	47.0	46.95	50.1

Designation to be completed by further details (e.g. for keying, color or material options).

**Packaging:**

chained, in a cardboard box