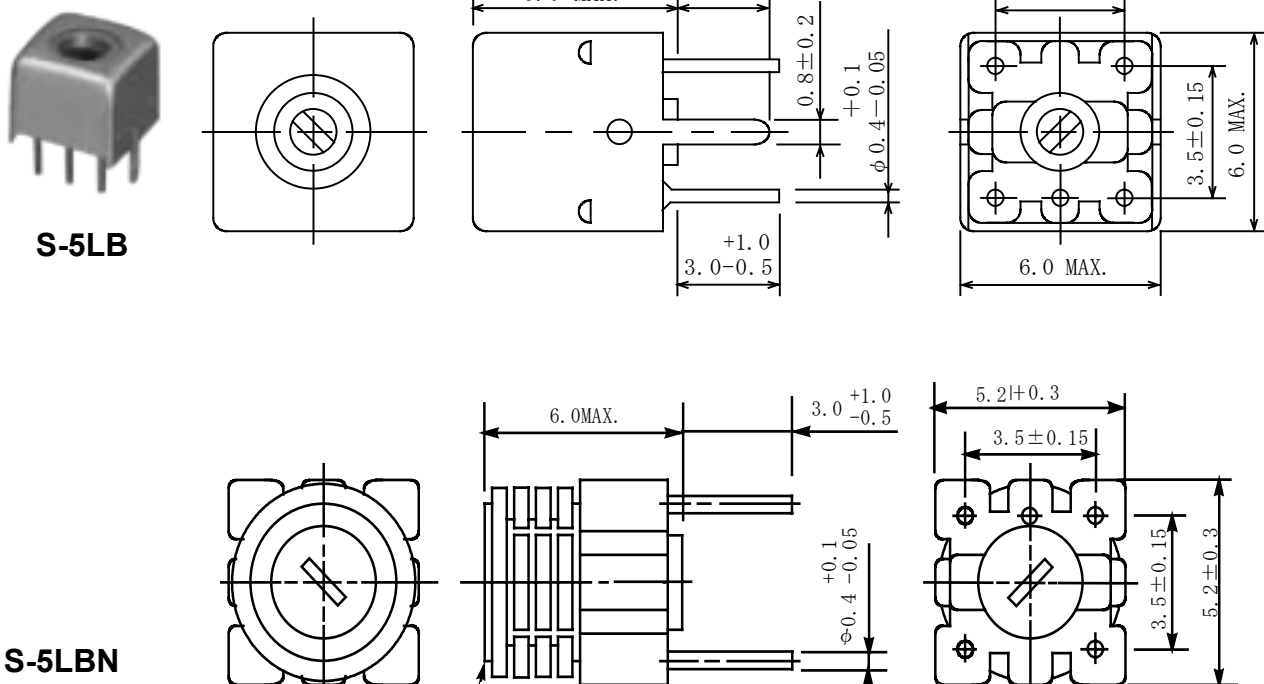


Type: S-5LB, S-5LBN
◆ Product Description

- 6.0×6.0mm Max.(L×W), 6.0mm Max. Height. (S-5LB)
- 5.5×5.5mm Max.(L×W), 6.0mm Max. Height. (S-5LBN)
- Inductance: 1.0μH Max.
- Operating frequency: 300MHz Max.
- In addition to the reference versions of parameters shown here, custom designs are available to meet your exact requirements.

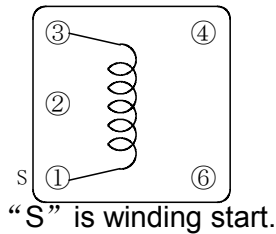
◆ Feature

- Variable type.
- Both shielded(S-5LB) and unshielded(S-5LBN) types are available.
- RoHS Compliance

◆ Dimensions (mm)


* Dimension does not include solder used on coil.

* Pin pitch should be measured at the root of terminal.

Type: S-5LB, S-5LBN
◆ Connection (Bottom View)

◆ Specification (S-5LBN) (Part No. S0995464)

| Item | (1-3) | Measuring Condition |
|-----------------|----------------------|---------------------|
| Tuning Capacity | 28.7pF ± 5% Variable | 100MHz |
| Unloaded Qu | 60 Min. | 100MHz |

◆ Specification (S-5LB)

| NO. | Pare No. | Stamp | Turn(T) | Tuning Capacity or Tuning Inductance <Variable> | Unloaded Qu<Min> | Measuring Frequency[MHz] |
|-----|-----------|-------|---------|---|------------------|--------------------------|
| 01 | S5-R10-NP | R10 | 3½ | 25.3pF±3% | 30 | 100 |
| 02 | S5-R11-NP | R11 | 4½ | 23.0pF±3% | 30 | 100 |
| 03 | S5-R12-NP | R12 | 4½ | 21.1pF±3% | 30 | 100 |
| 04 | S5-R13-NP | R13 | 4½ | 19.5pF±3% | 30 | 100 |
| 05 | S5-R15-NP | R15 | 5½ | 16.9pF±3% | 30 | 100 |
| 06 | S5-R16-NP | R16 | 5½ | 15.8pF±3% | 30 | 100 |
| 07 | S5-R18-NP | R18 | 5½ | 14.1pF±3% | 30 | 100 |
| 08 | S5-R20-NP | R20 | 6½ | 12.7pF±3% | 30 | 100 |
| 09 | S5-R22-NP | R22 | 6½ | 18.0pF±3% | 30 | 80 |
| 10 | S5-R24-NP | R24 | 7½ | 16.5pF±3% | 30 | 80 |
| 11 | S5-R27-NP | R27 | 7½ | 14.7pF±3% | 30 | 80 |
| 12 | S5-R30-NP | R30 | 7½ | 0.30 μ H ± 3% | 20 | 25.2 |
| 13 | S5-R33-NP | R33 | 8½ | 0.33 μ H ± 3% | 20 | 25.2 |
| 14 | S5-R36-NP | R36 | 9½ | 0.36 μ H ± 3% | 20 | 25.2 |
| 15 | S5-R39-NP | R39 | 9½ | 0.39 μ H ± 3% | 20 | 25.2 |
| 16 | S5-R43-NP | R43 | 10½ | 0.43 μ H ± 3% | 20 | 25.2 |
| 17 | S5-R47-NP | R47 | 10½ | 0.47 μ H ± 3% | 20 | 25.2 |
| 18 | S5-R51-NP | R51 | 11½ | 0.51 μ H ± 3% | 20 | 25.2 |
| 19 | S5-R56-NP | R56 | 11½ | 0.56 μ H ± 3% | 20 | 25.2 |
| 20 | S5-R62-NP | R62 | 12½ | 0.62 μ H ± 3% | 20 | 25.2 |
| 21 | S5-R68-NP | R68 | 13½ | 0.68 μ H ± 3% | 20 | 25.2 |
| 22 | S5-R75-NP | R75 | 14½ | 0.75 μ H ± 3% | 20 | 25.2 |
| 23 | S5-R82-NP | R82 | 15½ | 0.82 μ H ± 3% | 20 | 25.2 |
| 24 | S5-R91-NP | R91 | 16½ | 0.91 μ H ± 3% | 20 | 25.2 |
| 25 | S5-1R0-NP | 1R0 | 17½ | 1.0 μ H ± 3% | 15 | 7.96 |