

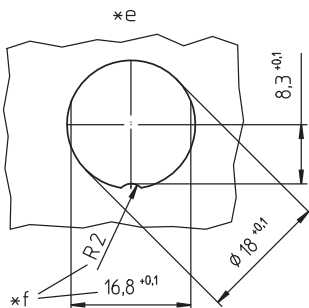
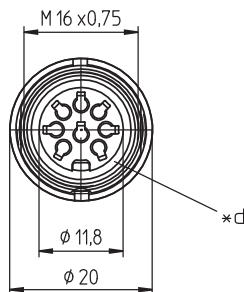
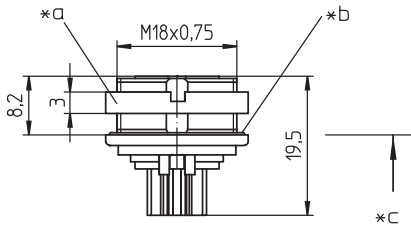
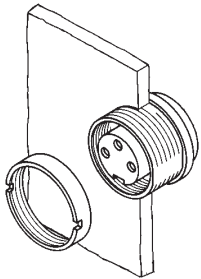
03 0363

Circular connectors with threaded joint M16 acc. to IEC 61076-2-106, IP40/IP67/IP68



Chassis socket acc. to AISG specification and IEC 61076-2-106, IP 68, with threaded joint, empty housing for reception of crimp contacts, for back side mounting

03 0363



### Environmental conditions

Temperature range -40 °C/+85 °C

### Materials

Insulating body PA GF, V-0 according to UL94  
Housing Zn diecast, pre-copper and nickel-plated  
Ring screw CuZn, nickel-plated  
Seal NBR

### Mechanical data

Insertion force/contact  $\leq 50 \text{ N}^1$   
Withdrawal force/contact  $\geq 35 \text{ N}^1$   
Protection class IP68<sup>2</sup>

<sup>1</sup> measured with a proper counterpart

<sup>2</sup> according to IEC DIN EN 60529, only in locked condition with an appropriate counterpart; IPX8 requirements under agreement between manufacturer and user

### Electrical data (at $T_{\text{amb}} 20 \text{ }^\circ\text{C}$ )

Rated current 5 A ( $T_{\text{amb}} 40 \text{ }^\circ\text{C}$ )  
Rated voltage 100 V (with pollution degree 1)  
32 V (with pollution degree 2)  
Rated impulse voltage 500 V  
Material group I (IEC)/0 (UL) (CTI  $\geq 600$ )  
Overvoltage category I  
Insulation resistance  $> 100 \text{ M}\Omega$   
Further data see suitable crimp contact

### Associated products

Counterparts  
 ☞ 0331 ☞ 0332 ☞ 0332-1  
 ☞ 033200 ☞ 0365 ☞ 036500

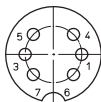
Accessories  
 ☞ 0322 C 16 ☞ 0364 V109 ☞ 0381  
 ☞ 038199 ☞ 0384 ☞ 0385  
 ☞ 038799

03

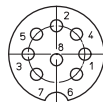
0363



**\*g**  
 0363 05-3



0363 06-1



**08-a**  
 0363 08-1

- \*a nut enclosed separately
- \*b O-ring gasket
- \*c mounting direction
- \*d flat gasket
- \*e port in mounting plate
- \*f anti-rotation, alternative execution
- \*g pin configuration according to AISG C485

03

0363

Designation	Pole Number	PU (Pieces)	MDQ (Pieces)
0363 05-3	5	50	100
0363 06-1	6	50	100
0363 08-1	8	50	100

**Packaging:**

in a cardboard box