

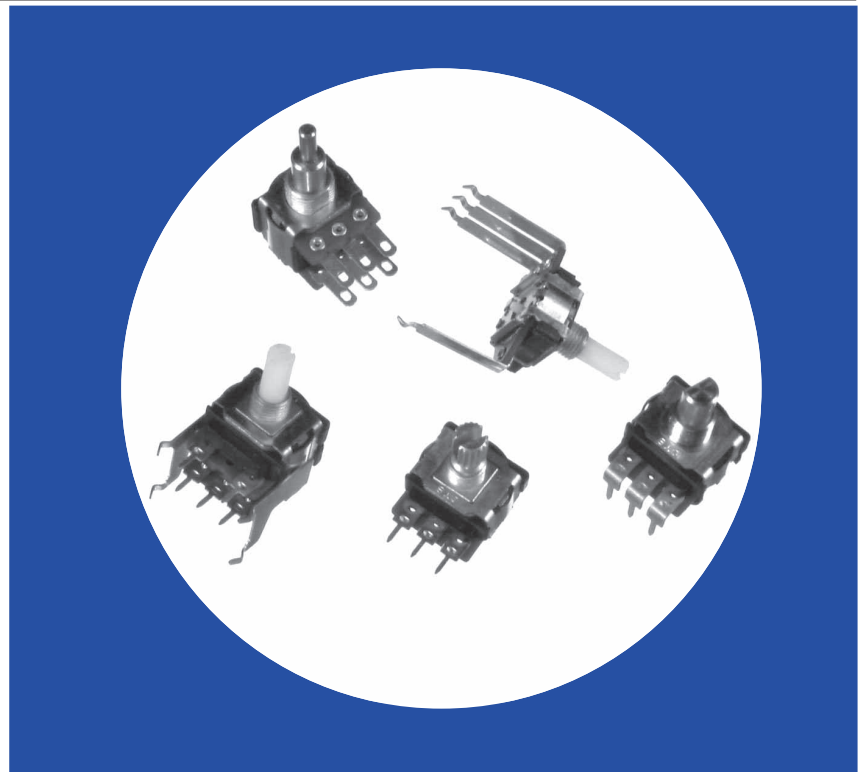
## Commercial Miniature 16mm Diameter Composition Variable Resistors

### Features

- Miniature 16mm style
- Bushing mounted with PC terminals and shaft parallel or perpendicular to PC board
- Single, tandem or concentric units
- RoHs compliant

### Available with:

- Molded or metal shafts
- $\pm 2\%$  Linearity
- Center detent



## Electrical and Mechanical Specifications

### Resistance Range

500 ohms through 5 megohms (linear taper).

### Resistance Tolerance

Standard:  $\pm 30\%$   
Special:  $\pm 20\%$ ,  $\pm 10\%$

### Power Rating, Watts

1/4 watt per section through 10K ohms  
1/8 watt per section above 10K ohms  
Full rating @ 55°C derated to no load at 85°C  
for linear tapers (derating required on  
multiple section controls).

### Voltage Rating

Bushings to Terminals:  
High pot test, one minute—750 VAC  
Operating maximum—500 VDC  
Across End Terminals:  
350 VDC, load not to exceed power rating.

### Life Cycle

Standard: 10K cycles  
Special: 100K ~ 500K cycles.

### Insulation Resistance

100 megohms minimum @ 250 VDC

### Rotational Angle

Total Rotation:  $300^\circ \pm 5^\circ$   
Effective Rotation:  $300^\circ$  (approximate)

### Rotational Torque

21.6~216 g-cm (0.3~3 in-oz)

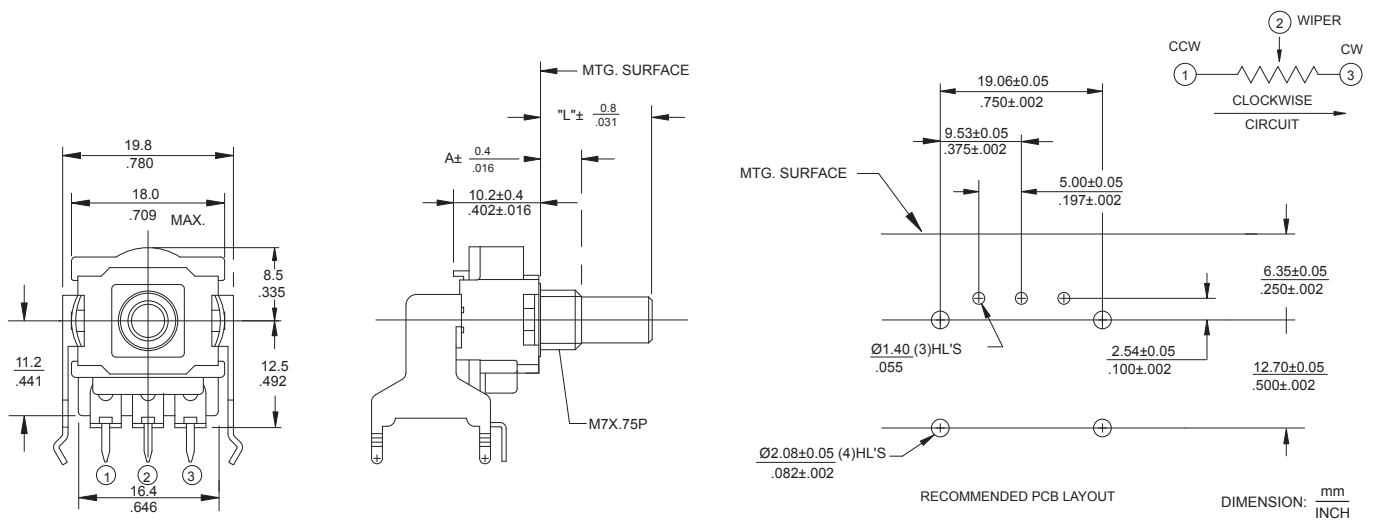
### Locating Lugs

Available without lugs

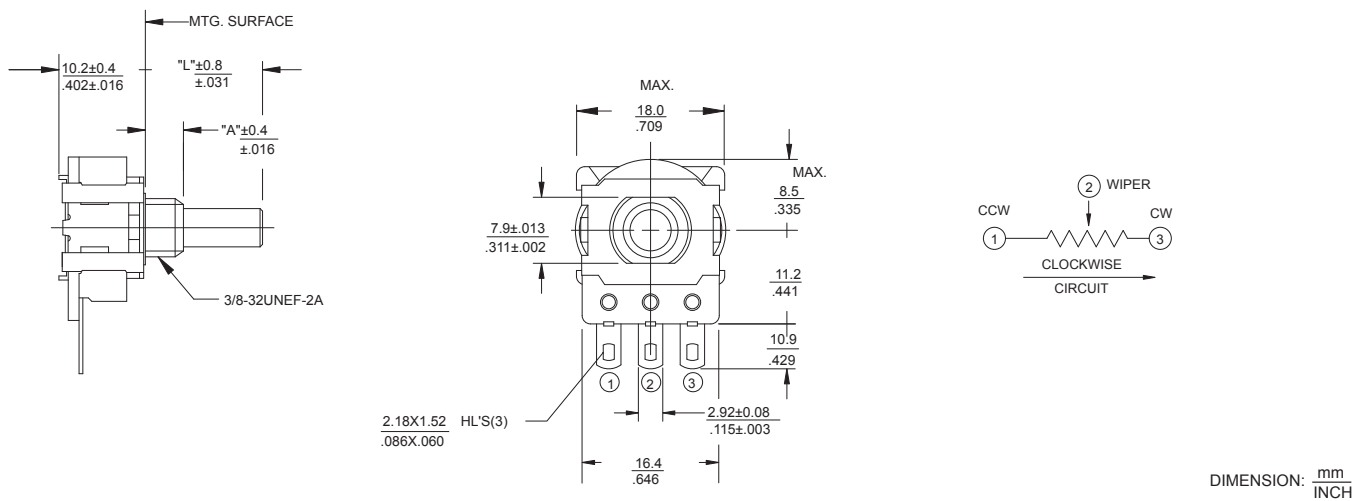
### Mounting Information

Standard: Bushing mount  
Diameter: 3/8"-32UNEF-2A or M8 x .75P thread  
Standard Length: 9.53mm (.375") or 6.35mm (.250")  
Special Length: Available as required  
Special: PCB, Bracket mount

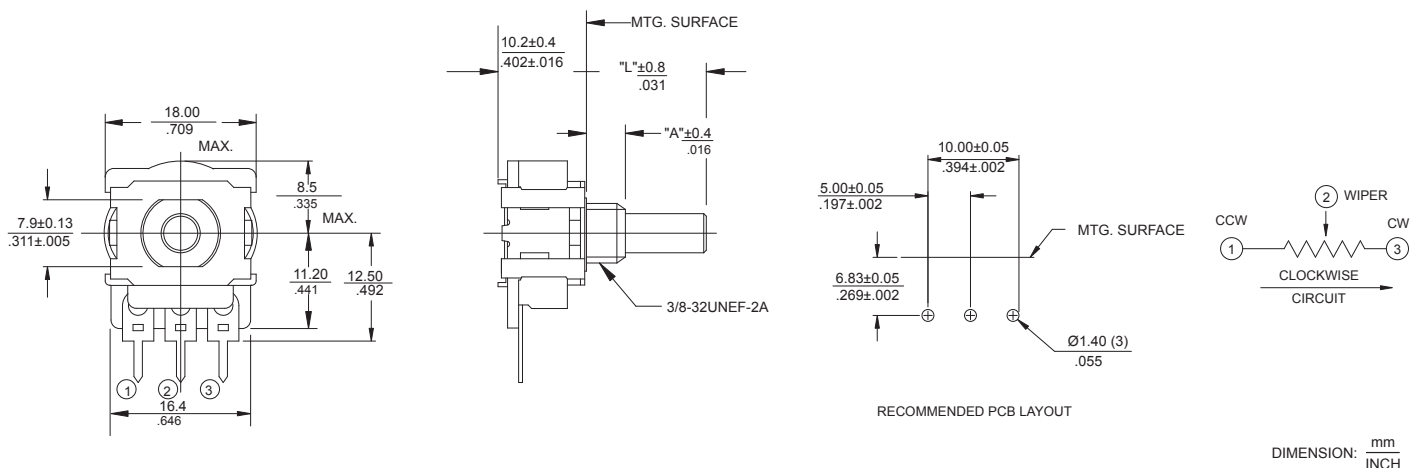
## B280 Metal Shaft, Die casting bushing, "XB" style Terminals with Bracket



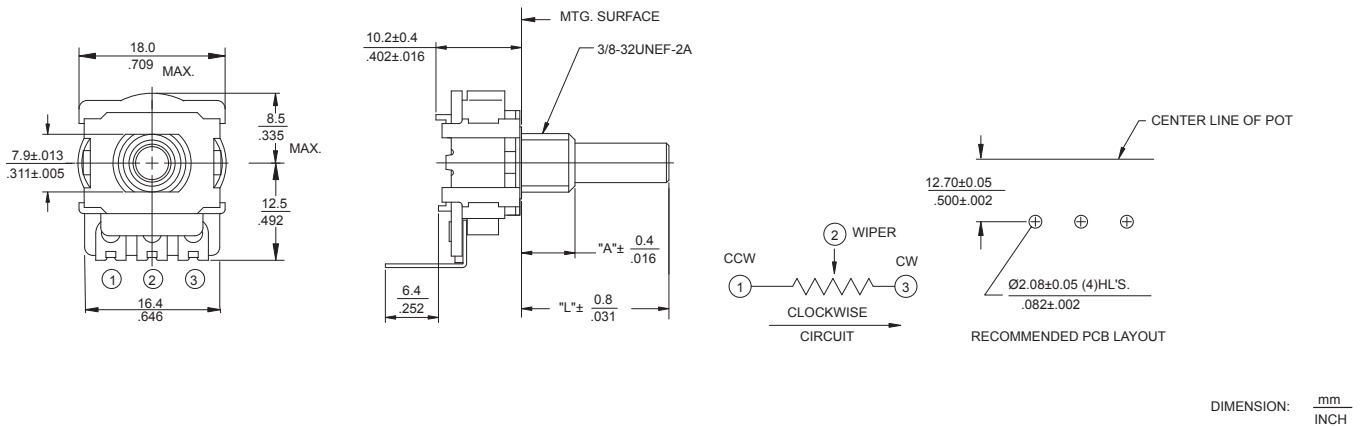
## T280 Metal Shaft, Bushing mount, Type "T" Solder Lug Terminals



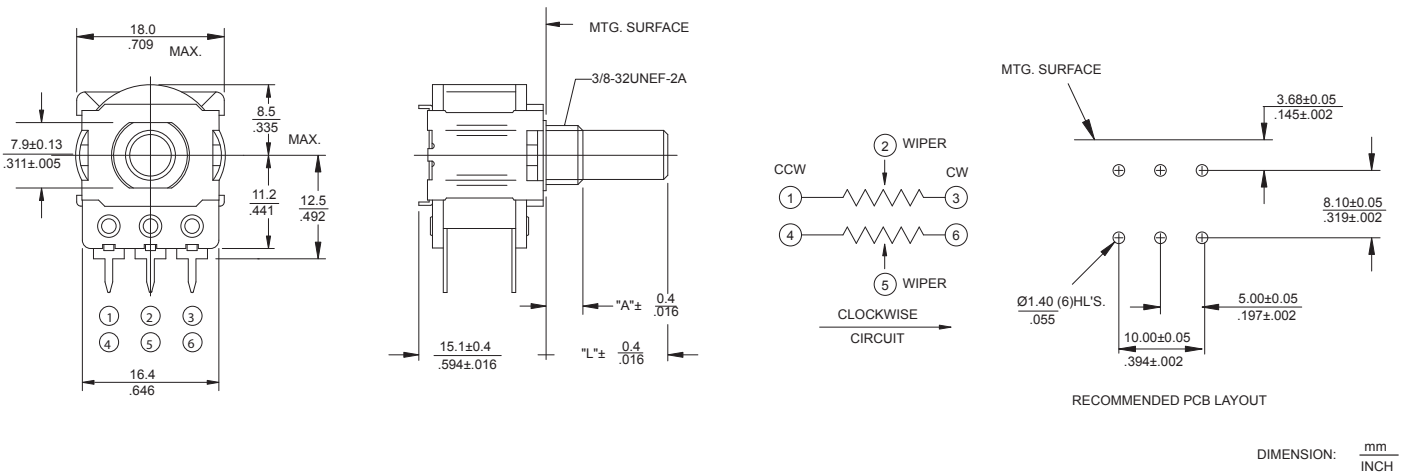
## X280 Metal Shaft, Bushing Mounting, Printed Circuit Type "X" Terminals



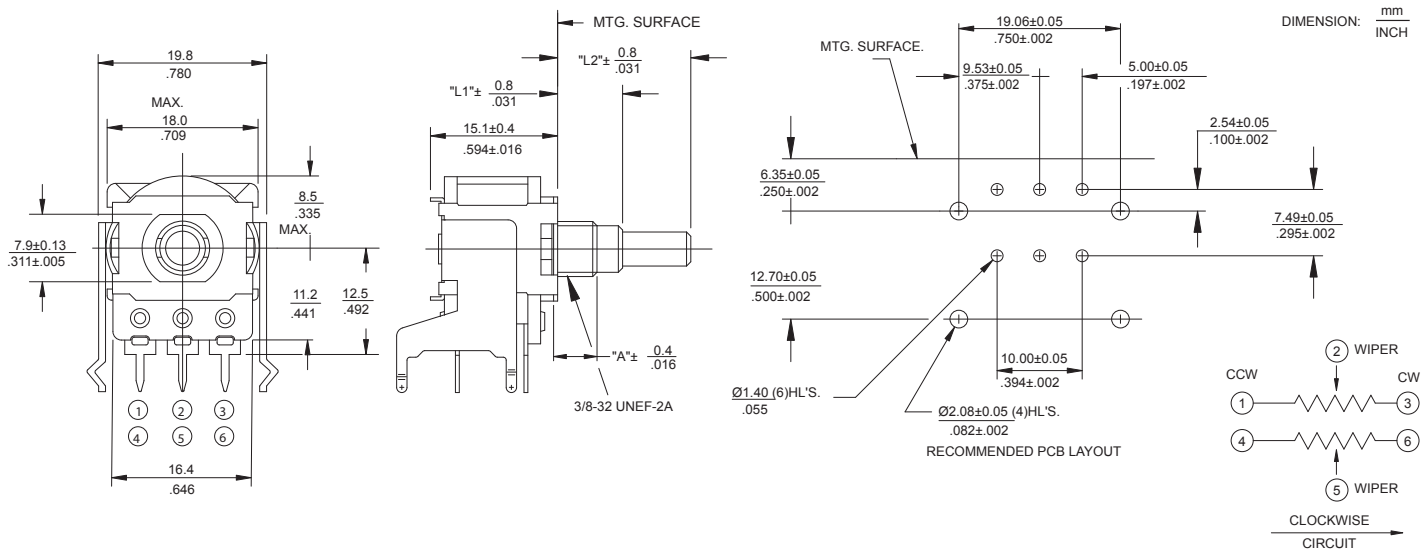
## V280 Metal Shaft, Bushing Mounting, Printed Circuit Type "V" Terminals



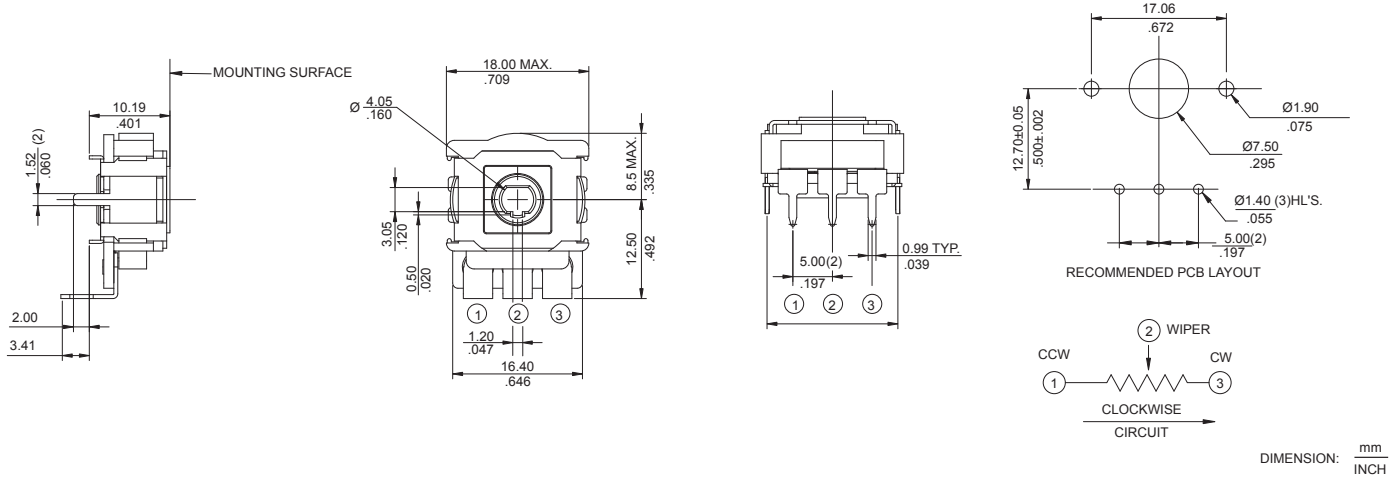
## X2-280 Dual Section, Metal Shaft, Bushing Mounting, Printed Circuit Type "X" Terminals



## BC2-280 Dual Section, Metal Shaft, Bushing Mounting, Printed Circuit Type "XB" Terminals with Bracket



# V280-SPL Hollow Shaft Type, Printed Circuit "X" Type Terminals, 360 degree endless rotation angle.



## Ordering Information

