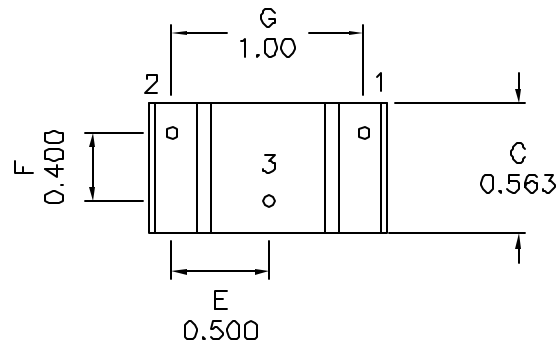
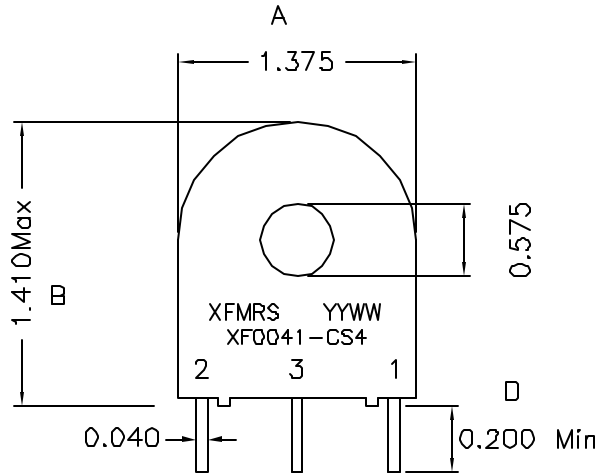
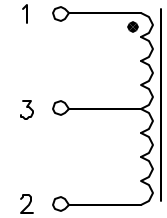


1. Mechanical Dimensions:



2. Schematic:



3. Electrical Specifications: @25°C

DCR: Pins 1-2 80 Ohms Max

OCL: Pins 1-2 4.00H Min @1KHz, 1V

Q: 50 Min @1KHz 1V

Load Resistance: 100 Ohms

Rated Current: 50A Typ

10Amp in = 0.650V out

Notes:

1. Solderability: Leads shall meet MIL-STD-202G, Method 208H for solderability.
2. Flammability: UL94V-0
3. ASTM oxygen index: > 28%
4. Insulation System: Class F 155°C. UL file E151556
5. Operating Temperature Range: All listed parameters are to be within tolerance from -40°C to +85°C
6. Storage Temperature Range: -55°C to +125°C
7. Aqueous wash compatible
8. Electrical and mechanical specifications 100% tested
9. RoHS Compliant Component

DOC. REV: A/5

PROPRIETARY Document is the property of XFMRS Group & is not allowed to be duplicated without authorization.

XFMRS Inc. www.XFMRS.com		Title: CURRENT SENSING TRANSFORMER	
UNLESS OTHERWISE SPECIFIED TOLERANCES: .xxx±0.010 Dimensions in INCH	P/N: XF0041-CS4		REV. A
	DWN.	Juan Mao	May-28-08
	CHK.	YK Liao	May-28-08
SHEET 1 OF 1	APP.	BW	May-28-08