

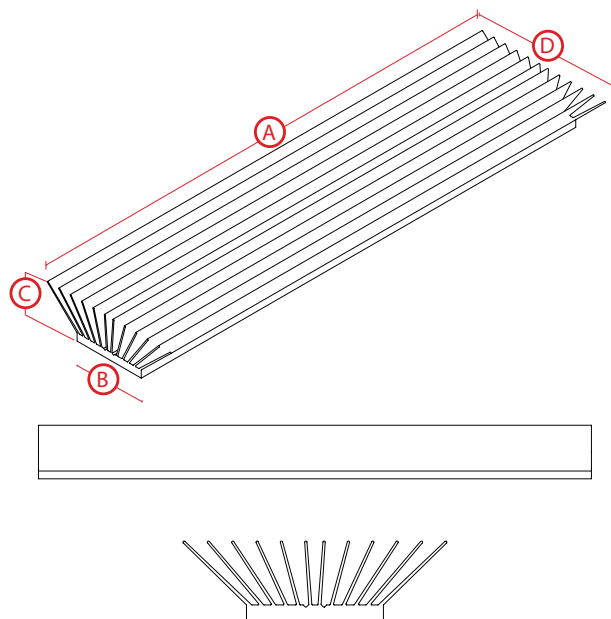


# High Performance LED Cooling Solutions

## ATS PART # ATS-58000-C1-R0

### Features & Benefits

- » Designed for cooling linear LED lighting products
- » maxiFLOW™ design features a low profile, spread fin array that maximizes surface area for more effective convection (air) cooling
- » Reduces LED temperatures by more than 50%
- » Fabricated from extruded aluminum, which minimizes thermal resistance from the base to the fins, reduces weight and keeps costs low



\*Image above is for illustration purposes only.

### Thermal Performance

AIR VELOCITY		THERMAL RESISTANCE	
FT/MIN	M/S	°C/W (UNDUCTED FLOW)	°C/W (DUCTED FLOW)
200	1.0	1.2	0.5
300	1.5	0.7	
400	2.0	0.6	
500	2.5	0.5	
600	3.0	0.4	
700	3.5	0.4	
800	4.0	0.4	

### Product Details

DIMENSION A	DIMENSION B	DIMENSION C	DIMENSION D	INTERFACE MATERIAL	FINISH
330 mm	45 mm	26 mm	87 mm	SAINT-GOBAIN NO TIM	BLACK-ANODIZED

#### NOTES:

- 1) Dimension C = heat sink height from bottom of the base to the top of the fin field.
- 2) Thermal performance data are provided for reference only. Actual performance may vary by application.
- 3) ATS reserves the right to update or change its products without notice to improve the design or performance.
- 4) Contact ATS to learn about custom options available.



**ATS** ADVANCED  
THERMAL  
SOLUTIONS, INC.  
Innovations in Thermal Management®

**For more information, to find a distributor or to place an order, visit [www.qats.com](http://www.qats.com) or call: 781.769.2800 (North America); +31 (0) 3569 84715 (Europe).**