

PLEASE CHECK WWW.MOLEX.COM FOR LATEST PART INFORMATION

Part Number: [0476281000](#)
Status: **Active**
Overview: [slimline serial ata odd connectors](#)
Description: 1.27mm (.050") Pitch Removeable Slimline Serial ATA Receptacle for Optical Disk Drive, Right Angle, Screw Hole Type, 0.76µm (30µ") Gold (Au) Plating, Leadfree

Documents:

[3D Model](#) [Product Specification PS-47628-001 \(PDF\)](#)
[Drawing \(PDF\)](#) [RoHS Certificate of Compliance \(PDF\)](#)

Agency Certification

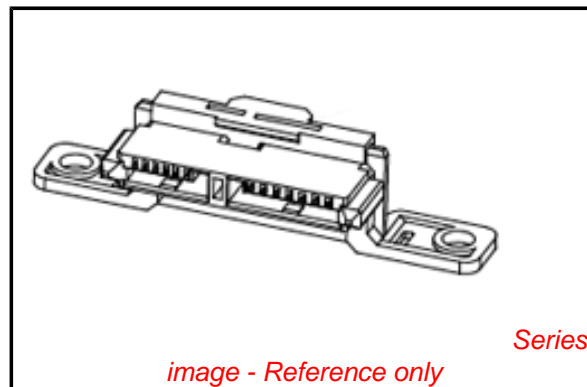
CSA LR 19980
 UL E29179

General

Product Family PCB Receptacles
 Series [47628](#)
 Application Board-to-Board
 Overview [slimline serial ata odd connectors](#)
 Product Name Serial ATA, Slimline Serial ATA

Physical

Circuits (Loaded) 13
 Circuits (maximum) 13
 Color - Resin Black
 Durability (mating cycles max) 500
 Flammability 94V-0
 Glow-Wire Compliant No
 Guide to Mating Part Yes
 Keying to Mating Part Yes
 Lock to Mating Part Yes
 Material - Metal Copper Alloy
 Material - Plating Mating Gold
 Material - Plating Termination Nickel
 Material - Resin Polyester
 Number of Rows 1
 Orientation Right Angle
 PCB Locator No
 PCB Retention Yes
 Packaging Type Tray
 Pitch - Mating Interface (in) 0.039 In, 0.050 In
 Pitch - Mating Interface (mm) 1.00 mm, 1.27 mm
 Pitch - Term. Interface (in) 0.039 In, 0.050 In
 Pitch - Term. Interface (mm) 1.00 mm, 1.27 mm
 Plating min: Mating (µin) 30
 Plating min: Mating (µm) 0.75
 Plating min: Termination (µin) 49
 Plating min: Termination (µm) 1.25
 Polarized to Mating Part Yes
 Polarized to PCB Yes
 Robotic Placement Pick and Place Cap
 Stackable No
 Surface Mount Compatible (SMC) Yes
 Temperature Range - Operating -35°C to +85°C
 Termination Interface: Style Screw or Lug



EU RoHS

**ELV and RoHS
 Compliant**
**REACH SVHC
 Not Reviewed**
**Halogen-Free
 Status
 Not Reviewed**

China RoHS



**Need more information on product
 environmental compliance?**

Email productcompliance@molex.com
 For a multiple part number RoHS Certificate of Compliance, [click here](#)

Please visit the [Contact Us](#) section for any non-product compliance questions.

Search Parts in this Series

[47628Series](#)

Mates With

[473001xxx Slimline Serial ATA Plugs](#)

Electrical

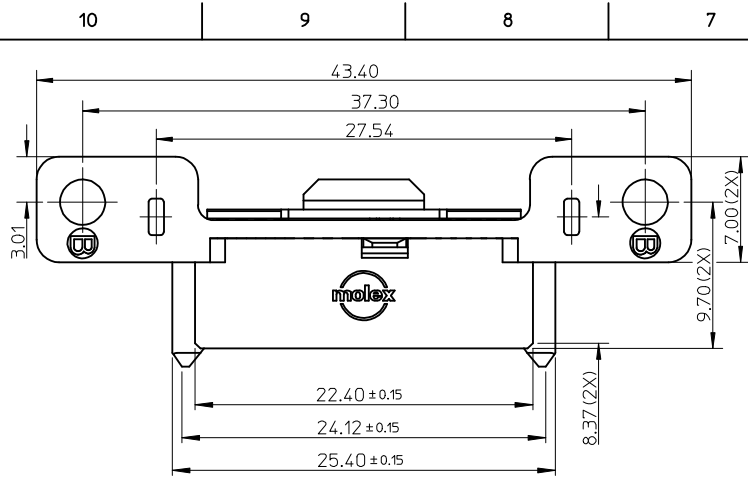
Current - Maximum per Contact	1.5A
Grounding to PCB	Yes
Voltage - Maximum	15V DC

Material Info**Reference - Drawing Numbers**

Packaging Specification	PK-47628-011
Product Specification	PS-47628-001
Sales Drawing	SD-47628-100

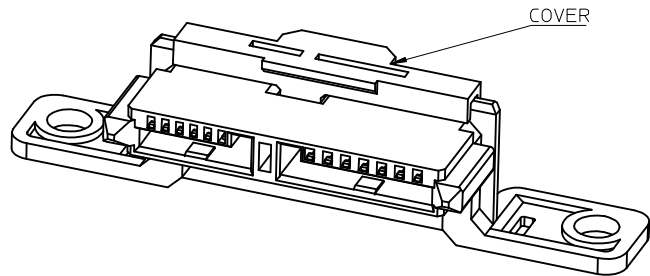
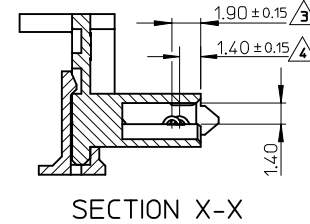
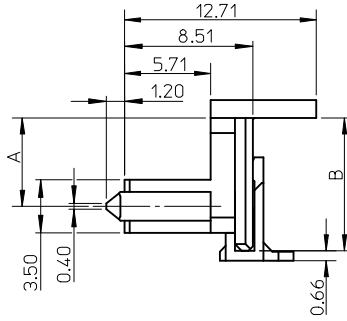
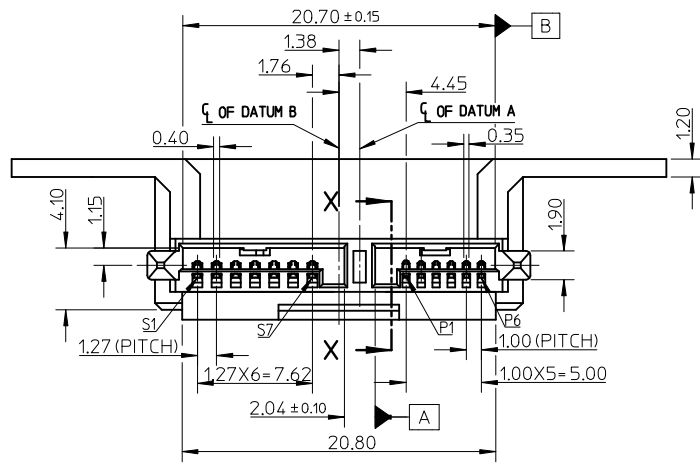
This document was generated on 05/28/2010

PLEASE CHECK WWW.MOLEX.COM FOR LATEST PART INFORMATION



NOTES :

- MATERIAL:
HOUSING: PBT, UL94V-0, BLACK
TERMINAL: COPPER ALLOY
- PLATING:
TERMINAL:
CONTACT AREA: GOLD PLATING SPEC REFER TO CHART.
UNDERPLATING: NICKEL PLATING 1.25 MICRONS MIN.
- FOR P1 PIN ONLY.
- FOR PIN P2 THRU P6.
- PACKAGE: TRAY, PK-47628-011.
- PRODUCT SPEC: PS-47628-001.
- THE PRODUCT COMPLIANT TO RoHS DIRECTIVES 2002/95/EC AND ELV 2000/53/EC.



RTM	EC NO: SH2009-0124	2008/09/29	QUALITY SYMBOLS	GENERAL TOLERANCES (UNLESS SPECIFIED)	DIMENSION STYLE MM ONLY	SCALE 4:1	DESIGN UNITS METRIC	THIRD ANGLE PROJECTION					
	DRW:GLLI	2008/09/30	▽=0						mm	INCH	DRAWN BY DIXON LI	DATE 2007/09/26	TITLE REMOVABLE SLIMLINE SATA RECEPTACLE CONNECTOR (RECEPTACLE)
	CHK:XSJ SONG	2008/11/11	∇=0						4 PLACES ± --- ± ---	3 PLACES ± --- ± ---	CHECKED BY JOHNSON TIAN	DATE 2007/09/26	
APP:HWANG	2008/11/11		2 PLACES ± 0.15 ± ---	1 PLACE ± 0.25 ± ---	APPROVED BY HARVEY WANG	DATE 2007/09/26	DOCUMENT NO. SD-47628-100						
REV	B	DESCRIPTION	ANGULAR ± 3 °	DRAFT WHERE APPLICABLE MUST REMAIN WITHIN DIMENSIONS	SEE CHART	MATERIAL NO.		SHEET NO. 1 OF 1					
					THIS DRAWING CONTAINS INFORMATION THAT IS PROPRIETARY TO MOLEX INCORPORATED AND SHOULD NOT BE USED WITHOUT WRITTEN PERMISSION								

P/N	CONTACT GOLD PLATING SPEC	DIM 'A'	DIM 'B'
N/A		8.45	11.40
N/A		8.2	11.20
N/A		8.05	11.00
N/A		7.85	10.80
N/A		7.65	10.60
N/A		7.45	10.40
N/A		7.25	10.20
N/A		7.05	10.00
N/A		6.85	9.80
N/A		6.65	9.60
N/A		6.45	9.40
N/A		6.25	9.20
N/A		6.05	9.00
47628-1000	0.76 MICRONS MIN	5.85	8.80
47628-1001	0.38 MICRONS MIN		
47628-1002	0.10 MICRONS MIN		
N/A		5.65	8.80
N/A		5.45	8.80
N/A		5.25	8.80
N/A		5.05	8.80
N/A		4.85	8.80
N/A		4.65	8.80
N/A		4.45	8.80
N/A		4.25	8.80
N/A		4.05	8.80
N/A		3.85	8.80
N/A		3.65	8.80
N/A		3.45	8.80
N/A		3.25	8.80
N/A		3.05	8.80