

Features

- Fixed switching frequency @ 50kHz
- Installed on din rail T535 / 7.5 or 15
- Universal AC input range
- Short circuit, overload, over-voltage protected
- 100% full load burn-in test
- Built in EMI filter, low ripple noise
- Convection cooled
- 3 year warranty
- Fully approved

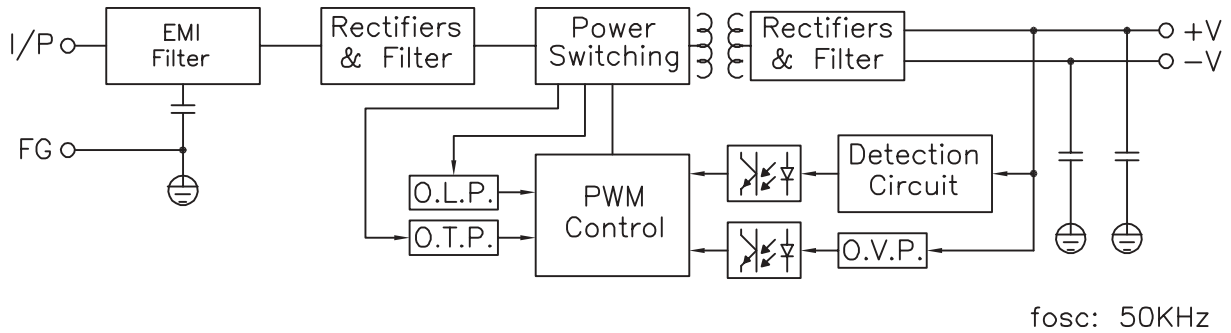


DC output voltage	48V
Output V. tolerance	±1%
Output rated current	1.6A
Output current range	0-1.6A
Ripple & noise	240mVp-p
Line regulation	±0.5%
Load regulation	±1%
DC output power	76.8W
Efficiency	81%
DC voltage adj.	48-53V
Input voltage range	85~264VAC 47~63Hz; 120~370VDC
AC current	2.0A/115V 1.2A/230V
Inrush current	cold start 30A/115V 60A/230V
Leakage current	<1mA/240VAC
Overload protection	105%~150% type: constant current limiting, auto recovery
Over voltage protection	58~65V
Over temp. protection	85°C± 5°C type: shutdown reset\;auto recovery (TSW1)
Temperature coefficient	±0.03% / °C (0~50°C)
Set up, rise, hold up time	1000ms;60ms;50ms/230V;1800ms;60ms;10ms/115V
Vibration	10~500Hz, 2G 10min./1cycle (1 hour each axes)
Withstand voltage	I/P-O/P: 3KVAC, I/P-FG: 1.5KVAC, O/P-FG: 0.5KVAC, for 1 min.
Isolation resistance	I/P-O/P, I/P-FG, O/P-FG:500VDC / 100M Ohms min.
Working temp., humidity	-10°C~+60°C (refer to output derating curve), 20%-90% RH
Storage temp., humidity	-20°C~+85°C, 10%~95% RH
Dimensions	2.19x4.93x3.94 inches (55.5x125.2x100mm)
Weight	1.32lbs (0.6Kgs)
Safety standards	TUV EN60950, UL508
EMC standards	EN55022 CLASS B, EN61000-4-2,3,4,5,6,8,11; ENV50204, EN61000-3-2,-3

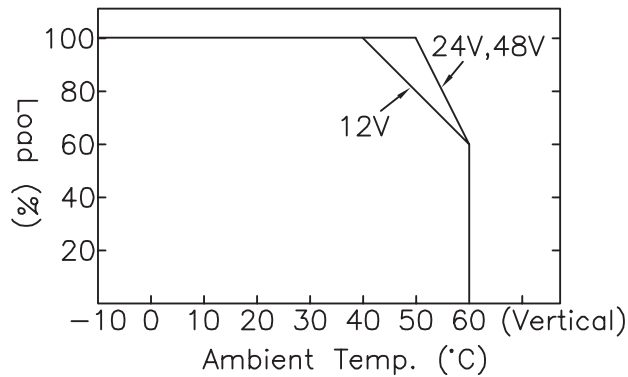
- Notes:
1. All parameters are specified at 230VAC input, rated load, 25°C 70% RH ambient
 2. Tolerance includes set up tolerance, line regulation, load regulation
 3. Ripple & noise are measured at 20MHz by using a 12" twisted pair terminated with a 0.1uF & 47 uF capacitor
 4. Line regulation is measured from low line to high line at rated load
 5. Load regulation is measure from 0% to 100% rated load

*V-Infinity reserves the right to make changes to its products or to discontinue any product or service without notice, and to advise customers to verify the most up-to-date product information before placing orders. V-Infinity assumes no liability or responsibility for customer's applications using V-Infinity products other than repair or replacing (at V-I's option) V-Infinity products not meeting V-I's published specifications. Nothing will be covered outside of standard product warranty.

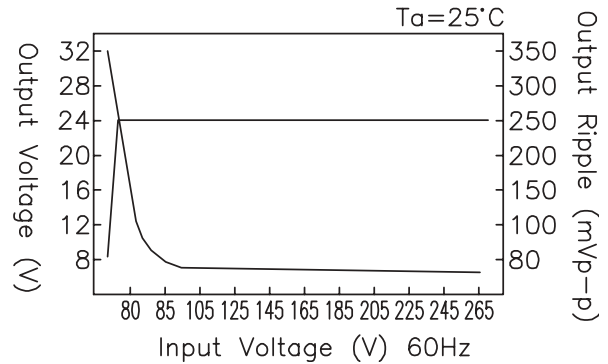
Block Diagram



Output Derating



Static Characteristics



Dimensions (mm)

- Case: 923
 Terminal Pin No. Assignment
 TB1: AC Input
 Pin 1: FG
 Pin 2: AC/N
 Pin 3: AC/L
 TB2: DC Output
 Pin 1: +V
 Pin 2: +V
 Pin 3: -V
 Pin 4: -V

