

**PLEASE CHECK WWW.MOLEX.COM FOR LATEST PART INFORMATION**

**Part Number:** [0513000414](#)  
**Status:** **Active**  
**Description:** CRC™ Shielded Rectangular I/O Receptacle Housing for Female Terminal, Power, 4 Circuits, Polarization Type D, Polarization Position B-2

**Documents:**

[Drawing \(PDF\)](#) [Product Specification PS-51300-005 \(PDF\)](#)  
[Product Specification PS-51300-004 \(PDF\)](#) [RoHS Certificate of Compliance \(PDF\)](#)

**Agency Certification**

CSA	LR19980
TUV	R72081037
UL	E29179

**General**

Product Family	I/O Connectors
Series	<a href="#">51300</a>
Application	Panel-Mount, Wire-to-Wire
Component Type	Housing
Product Name	CRC™
Type	N/A

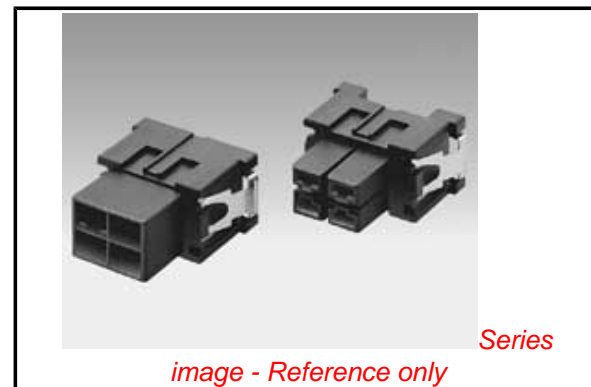
**Physical**

Boot Color	N/A
Circuits (Loaded)	N/A
Circuits (maximum)	4
Color - Resin	Black
Durability (mating cycles max)	100
Flammability	94V-0
Gender	Female
Keying to Mating Part	Yes
Lock to Mating Part	Yes
Material - Metal	Stainless Steel
Material - Plating Mating	n/a
Material - Resin	Polyester
Number of Rows	2
Orientation	Vertical
PCB Locator	No
Packaging Type	Tray
Panel Mount	Front, Rear
Pitch - Mating Interface (in)	0.189 In
Pitch - Mating Interface (mm)	4.80 mm
Pitch - Term. Interface (in)	0.189 In
Pitch - Term. Interface (mm)	4.80 mm
Polarized to Mating Part	Yes
Polarized to PCB	N/A
Ports	1
Surface Mount Compatible (SMC)	No
Temperature Range - Operating	-40°C to +105°C
Termination Interface: Style	N/A
Waterproof / Dustproof	No

**Electrical**

Current - Maximum per Contact	15A
Voltage - Maximum	250V AC (RMS)/DC

**Material Info**



**EU RoHS**

**ELV and RoHS  
Compliant**  
**REACH SVHC  
Contains SVHC: No**  
**Halogen-Free**  
**Status  
Not Reviewed**

**China RoHS**



**Need more information on product  
environmental compliance?**

Email [productcompliance@molex.com](mailto:productcompliance@molex.com)  
For a multiple part number RoHS Certificate of Compliance, [click here](#)

Please visit the [Contact Us](#) section for any non-product compliance questions.

**Search Parts in this Series**

[51300Series](#)

**Mates With**

[55887](#) plug assembly set, [55891](#) plug housing

**Use With**

56377-120\* receptacle shell, [56194](#) female terminal

**Reference - Drawing Numbers**

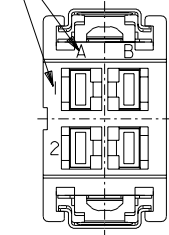
Product Specification  
Sales Drawing

PS-51300-004, PS-51300-005  
SD-51300-003

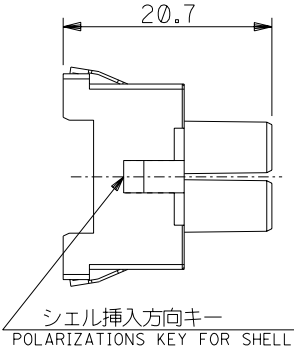
This document was generated on 04/12/2010

**PLEASE CHECK [WWW.MOLEX.COM](http://WWW.MOLEX.COM) FOR LATEST PART INFORMATION**

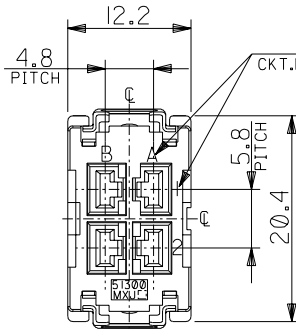
回路番号表示  
CKT.No.IDENTIFICATION



電線挿入側  
WIRE SIDE



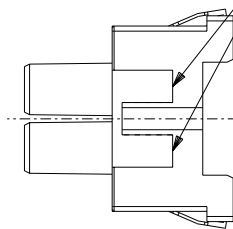
シェル挿入方向キー  
POLARIZATIONS KEY FOR SHELL



嵌合側  
MATING SIDE

回路番号表示  
CKT.No.IDENTIFICATION

シェル挿入方向キー  
POLARIZATIONS KEY FOR SHELL



注記  
NOTES

- 材質  
MATERIAL  
①ハウジング：ガラス入りPBT樹脂  
HOUSING : PBT G.F.  
UL94V-0 色：黒  
UL94V-0 COLOR : BLACK  
②スプリング：ステンレス鋼 t0.3  
SPRING : STAINLESS STEEL t0.3
- 適用端子：56194-9\*85  
APPLICABLE CRIMP SOCKET : 56194-9\*85
- 適用リセプタクル シェル：56377-12\*\*  
APPLICABLE RECEPTACLE SHELL : 56377-12\*\*
- 嵌合相手：55891-040\*  
MEET WITH : 55891-040\*

<誤嵌合防止キー（極性）タイプ>  
<POLARITY KEY TYPE>

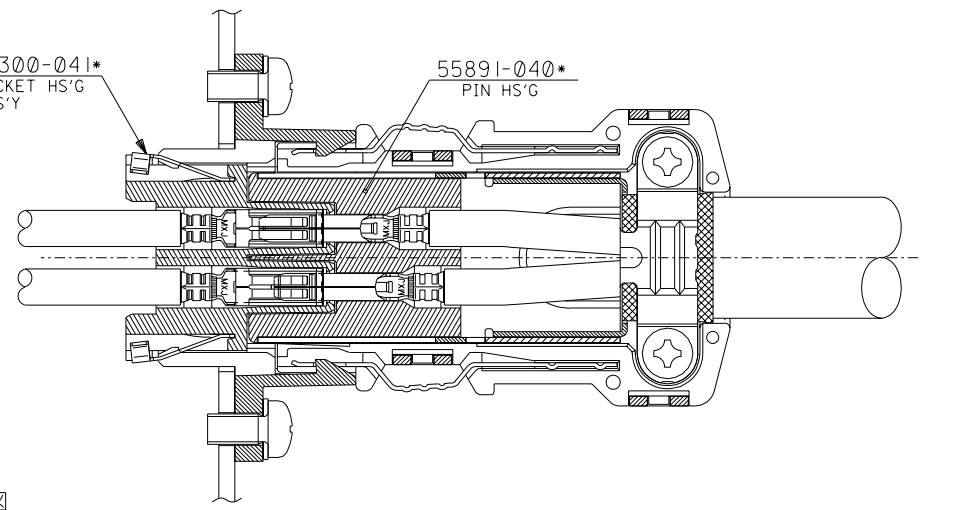
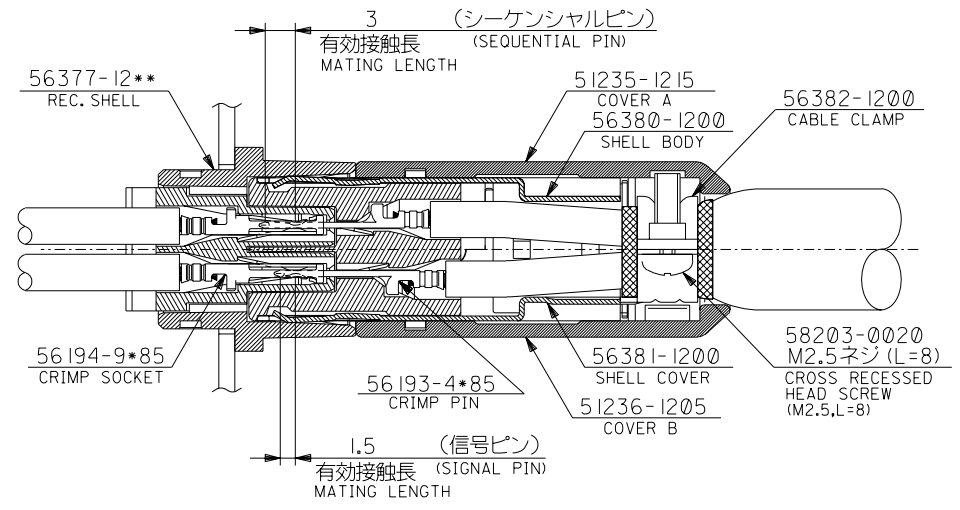
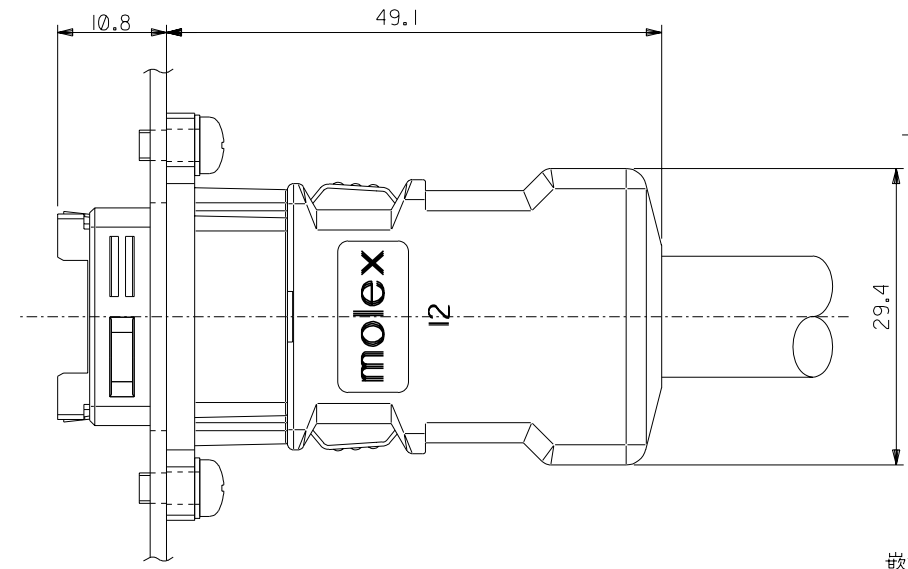
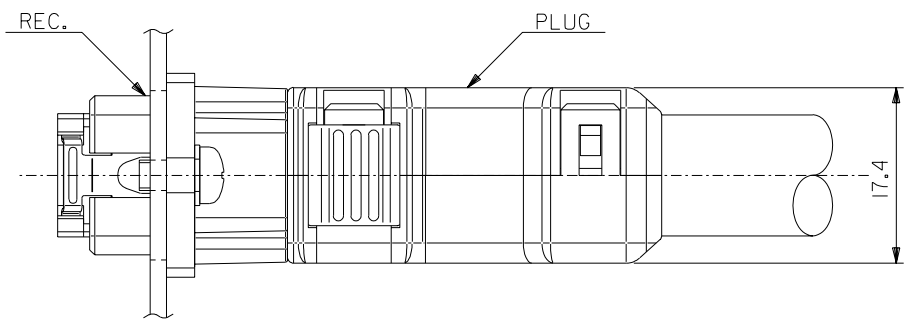
51300-0411	51300-0412	51300-0413	51300-0414
A TYPE (CKT No. A-1)	B TYPE (CKT No. A-2)	C TYPE (CKT No. B-1)	D TYPE (CKT No. B-2)

D	51300-0414	51300-041*	4
C	51300-0413		
B	51300-0412		
A	51300-0411		
POLARITY TYPE	MATERIAL No.	MODEL No.	CIRCUIT

DO NOT SCALE DRAWING

EC NO. DRWN: CHK: APPR:	EC NO. DRWN: CHK: APPR:	EC NO. DRWN: CHK: APPR:	REVISED 02/04/15 EC NO. J2002-2601 DRWN: S.AKIYAMA CHK: J.MIYAZAWA APPR: YO.ITO	0 RELEASED 01/10/12 EC NO. J2002-0854 DRWN: S.AKIYAMA CHK: J.MIYAZAWA APPR: YO.ITO	DESCRIPTION MATERIAL 材料 注記参照 SEE NOTES FINISH 仕上げ —#— WIRE RANGE 適用電線範囲 —#— INS. RANGE 被覆外径 —#—	GENERAL TOLERANCES: (UNLESS SPECIFIED) 一般公差 10 UNDER 未満 ±0.2 10 OVER 以上 30 UNDER 未満 ±0.25 30 OVER 以上 ±0.3 ANGLE 角度 ±3°	SCALE 2-1 DESIGN UNITS <input checked="" type="checkbox"/> mm <input type="checkbox"/> INCH THIRD ANGLE PROJECTION <input type="checkbox"/> mm <input type="checkbox"/> INCH <input checked="" type="checkbox"/> mm ONLY	SHT 4 REV REVISE ON CAD ONLY
DRAWN BY & DATE S. Akizama 01/10/11			TITLE: COMPACT ROBOT CONN. POWER REC. SOCKET HS'G ASS'Y			MATERIAL NO. SEE CHART		
CHECKED BY & DATE Y. Morawo			MATERIAL NO. SEE CHART			DRAWING NO. SD-51300-003		
APPROVED BY & DATE Y. Ito			MATERIAL NO. SEE CHART			DRAWING NO. SD-51300-003		
CAD FILENAME 51300003.S01			MATERIAL NO. SEE CHART			DRAWING NO. SD-51300-003		
SHEET NO. 1 OF 4			SHEET NO. 1 OF 4			SIZE B		

DWG. NO. SD-51300-003



嵌合図  
CROSS-SECTION VIEW OF MATED CONNECTOR

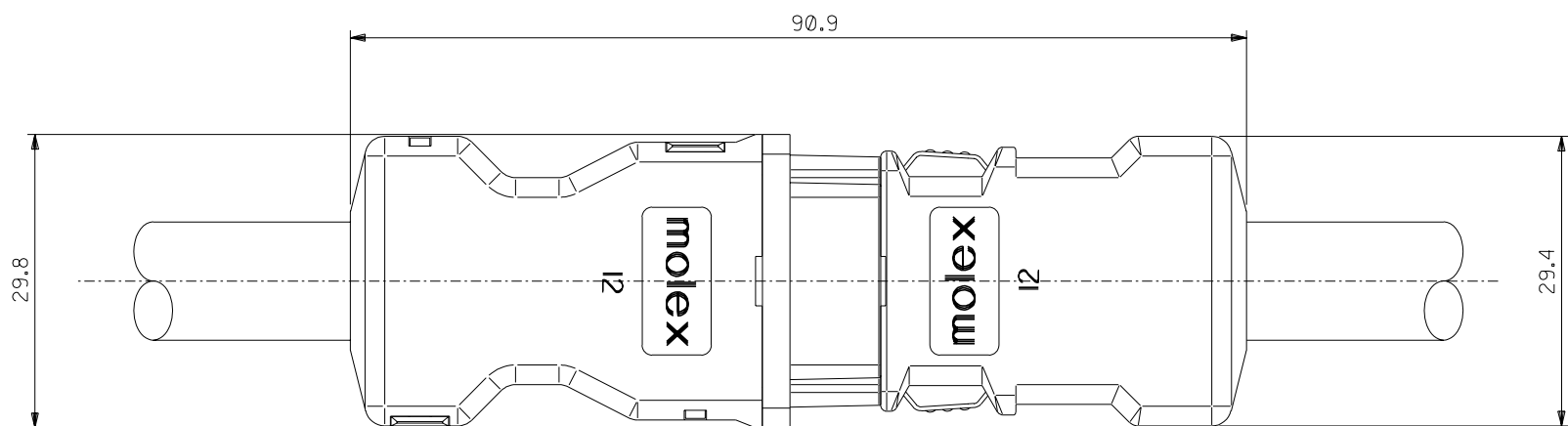
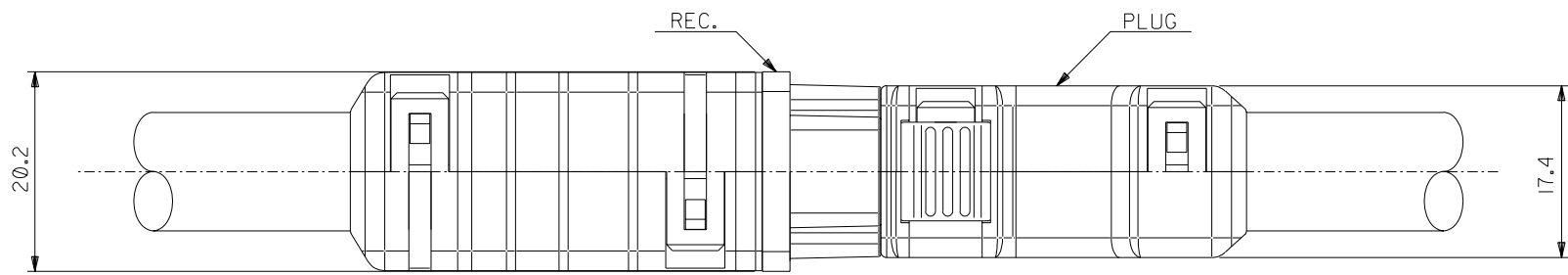
DO NOT SCALE DRAWING

EC NO. DRWN: CHK: APPR:	EC NO. DRWN: CHK: APPR:	EC NO. DRWN: CHK: APPR:	REVISED '02/04/15	MATERIAL 材料	GENERAL TOLERANCES: (UNLESS SPECIFIED) 一般公差	SCALE	DESIGN UNITS	THIRD ANGLE PROJECTION	DIMENSIONS:		SHT	REV	
			EC NO. J2002-2601 DRWN: S.AKIYAMA CHK: J.MIYAZAWA APPR: YO.ITO			注記参照 SEE NOTES	2-1		<input checked="" type="checkbox"/> mm <input type="checkbox"/> INCH	<input type="checkbox"/> mm <input type="checkbox"/> INCH	<input type="checkbox"/> mm ONLY	2	REVISION
A	0	0	RELEASED '01/10/12	FINISH 仕上げ	10 UNDER 未満	10 OVER 30 UNDER 未満	30 OVER 以上	APPROVED BY & DATE <i>Y. Ito</i>	TITLE:			SHEET NO. 2 OF 4	
			EC NO. J2002-0854 DRWN: S.AKIYAMA CHK: J.MIYAZAWA APPR: YO.ITO						#	COMPACT ROBOT CONN. POWER REC. SOCKET HS'G ASS'Y			
REV	INS. RANGE 被覆外径	WIRE RANGE 適用線径範囲	DESCRIPTION	#	ANGLE 角度	±0.2	±0.25	±0.3	±3°	MATERIAL NO. SEE CHART		DRAWING NO. SD-51300-003	SIZE B

THIS DRAWING CONTAINS INFORMATION THAT IS PROPRIETARY TO MOLEX INCORPORATED AND SHOULD NOT BE USED WITHOUT WRITTEN PERMISSION.

51300003.S02

DWG. NO.  
SD-51300-003



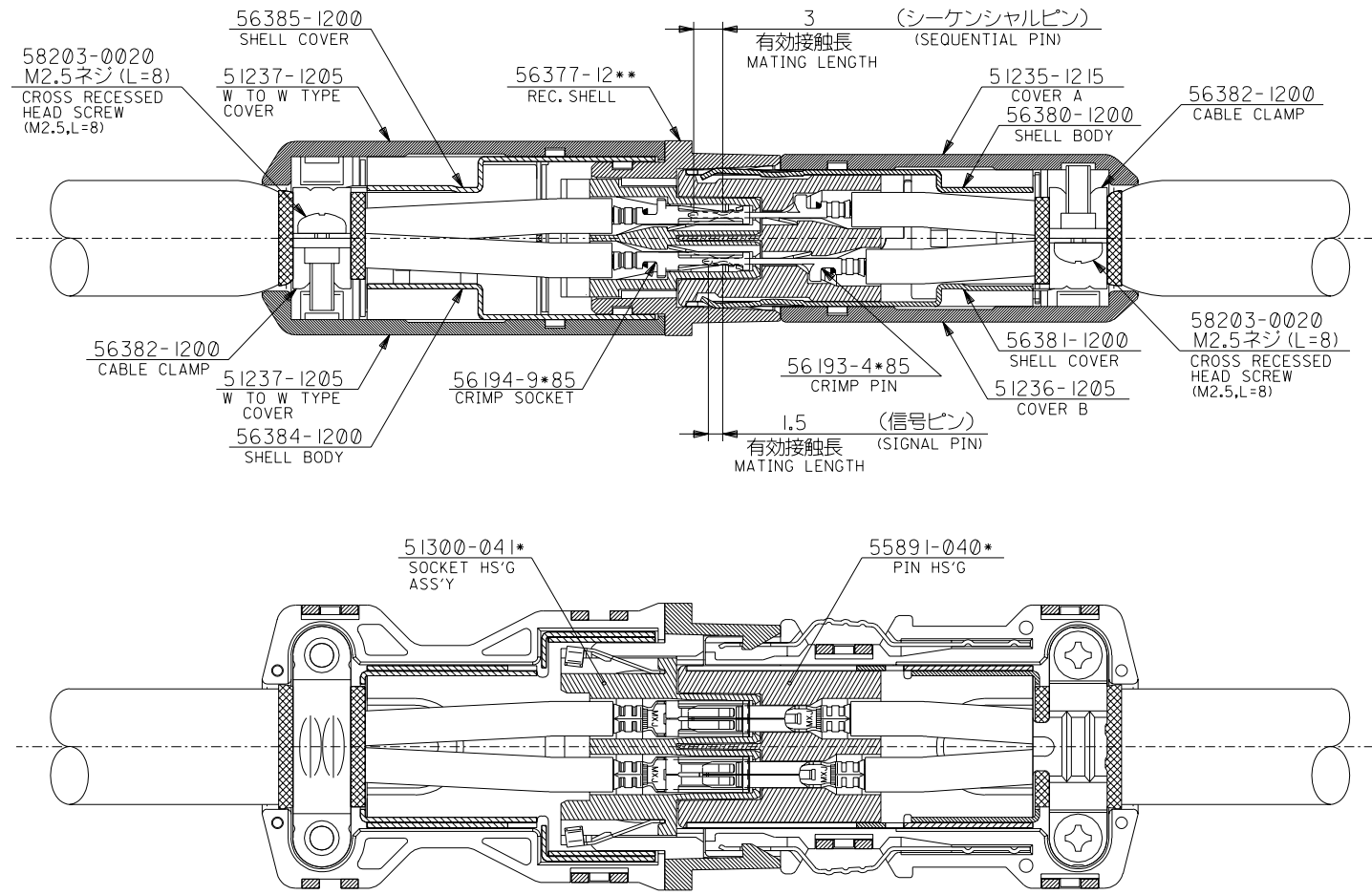
嵌合図 (中継タイプ)  
CROSS-SECTION VIEW OF MATED CONNECTOR  
(WIRE TO WIRE TYPE)

DO NOT SCALE DRAWING

EC NO. DRWN: CHK: APPR:	EC NO. DRWN: CHK: APPR:	EC NO. DRWN: CHK: APPR:	REVISED '02/04/15	MATERIAL 材料	GENERAL TOLERANCES: (UNLESS SPECIFIED) 一般公差	SCALE 2-1	DESIGN UNITS <input checked="" type="checkbox"/> mm <input type="checkbox"/> INCH	THIRD ANGLE PROJECTION <input checked="" type="checkbox"/> mm <input type="checkbox"/> INCH	DIMENSIONS: <input type="checkbox"/> mm <input type="checkbox"/> INCH <input checked="" type="checkbox"/> mm ONLY	SHT REVISE ON CAD ONLY	REV	
			EC NO. J2002-2601 DRWN: S.AKIYAMA CHK: J.MIYAZAWA APPR: YO.ITO									FINISH 仕上げ
A	0	0	RELEASED '01/10/12	DESCRIPTION	WIRE RANGE 適用配線範囲	10 OVER 30 UNDER 以上 未満	±0.25	APPROVED BY & DATE <i>Y. Ito</i>	MATERIAL NO. SEE CHART	DRAWING NO. SD-51300-003	SHEET NO. 3 OF 4	
			EC NO. J2002-0854 DRWN: S.AKIYAMA CHK: J.MIYAZAWA APPR: YO.ITO									INS. RANGE 被覆外径
注記参照 SEE NOTES						ANGLE 角度	±3°	THIS DRAWING CONTAINS INFORMATION THAT IS PROPRIETARY TO MOLEX INCORPORATED AND SHOULD NOT BE USED WITHOUT WRITTEN PERMISSION.				SIZE B

513000003.S03

DWG. NO.  
SD-51300-003



嵌合図 (中継タイプ)  
CROSS-SECTION VIEW OF MATED CONNECTOR  
(WIRE TO WIRE TYPE)

DO NOT SCALE DRAWING

EC NO. DRWN: CHK: APPR:	EC NO. DRWN: CHK: APPR:	EC NO. DRWN: CHK: APPR:	REVISED '02/04/15 EC NO. J2002-2601 DRWN: S.AKIYAMA CHK: J.MIYAZAWA APPR: YO.ITO	REVISED '01/10/12 EC NO. J2002-0854 DRWN: S.AKIYAMA CHK: J.MIYAZAWA APPR: YO.ITO	MATERIAL 材料	注記参照 SEE NOTES	GENERAL TOLERANCES: (UNLESS SPECIFIED) 一般公差	SCALE 2-1	DESIGN UNITS <input checked="" type="checkbox"/> mm <input type="checkbox"/> INCH	<input checked="" type="checkbox"/> THIRD ANGLE <input type="checkbox"/> PROJECTION	DIMENSIONS: <input type="checkbox"/> mm <input type="checkbox"/> INCH <input checked="" type="checkbox"/> mm ONLY	SHT REVISE ON CAD ONLY	REV
			A	0	FINISH 仕上げ	#	10 UNDER 未満	±0.2	DRAWN BY & DATE S. Akigama '01/10/11	TITLE: COMPACT ROBOT CONN. POWER REC. SOCKET HS'G ASS'Y			
					WIRE RANGE 適用電線範囲	#	10 OVER 30 UNDER 以上 未満	±0.25	CHECKED BY & DATE J. Morawo				
					INS. RANGE 被覆外径	#	30 OVER 以上	±0.3	APPROVED BY & DATE Y. Ota	MOLEX INCORPORATED			
							ANGLE 角度	±3°	CAD FILENAME 51300003.S04	MATERIAL NO. SEE CHART	DRAWING NO. SD-51300-003	SHEET NO. 4 OF 4	SIZE B
THIS DRAWING CONTAINS INFORMATION THAT IS PROPRIETARY TO MOLEX INCORPORATED AND SHOULD NOT BE USED WITHOUT WRITTEN PERMISSION.													

51300003.S04