

LS-Series

ROCKER SWITCHES

The LS-Series Softspot illuminated rocker switches feature a three-color high brightness light sequence, from a single lamp. These switches are designed with a standard nylon snap-in bracket and “Drip-Dry” construction that protects the front panel from dust and moisture.



Product Highlights:

- ◆ Water Resistant Construction
- ◆ Independent or Dependent Illumination
- ◆ Up to 3 Different Colors Under a Single Lens
- ◆ Multiple Termination Options

Typical Applications:

- ◆ Marine
- ◆ Transportation



Dielectric Strength

1000V - live to dead metal parts

Electrical Life

50,000 cycles - maintained
25,000 cycles - momentary

Mechanical Life

100,000 cycles

Operating Temperature

0°F to 150°F (-17.8°C to +65.6°C)

LS1511 - 13 - BL - BL - 012

¹
Base Part Number

²
Lighting Sequence

³
Actuator Color

⁴
Base Color

⁵
Lamp Voltage

1 BASE PART NUMBER: SERIES / POLES / ILLUMINATION / CIRCUITRY / RATING / TERMINATION³
10A 250VAC, 15A 125VAC, 3/4 HP 125-250VAC, 15A 15-28VDC

| Single Pole | Solder Lug | .250 Tab QC | Screw Terms | Wire Leads |
|---------------|------------|-------------|-------------|------------|
| On-None-Off | LS1510 | LS1511 | LS1514 | LS1515 |
| On-None-(Off) | LS1520 | LS1521 | LS1524 | LS1525 |
| (On)-None-Off | LS1530 | LS1531 | LS1534 | LS1535 |
| On-None-On | LS1540 | LS1541 | LS1544 | LS1545 |
| On-None-(On) | LS1550 | LS1551 | LS1554 | LS1555 |
| On-Off-On | LS1560 | LS1561 | LS1564 | LS1565 |
| On--Off-(On) | LS1570 | LS1571 | LS1574 | LS1575 |
| (On)-Off-(On) | LS1580 | LS1581 | LS1584 | LS1585 |

2 LIGHTING SEQUENCE^{1,2}

| | position 1 | position 2 | position 3 |
|----|------------|------------|------------|
| 01 | red | red | red |
| 02 | amber | amber | amber |
| 03 | green | green | green |
| 10 | red | --- | none |
| 11 | red | clear | red |
| 12 | red | clear | amber |
| 13 | red | clear | green |
| 14 | red | clear | blue |
| 15 | red | clear | clear |
| 20 | amber | --- | none |
| 21 | amber | clear | red |
| 22 | amber | clear | amber |
| 23 | amber | clear | green |
| 24 | amber | clear | blue |
| 25 | amber | clear | clear |
| 30 | green | --- | none |
| 31 | green | clear | red |
| 32 | green | clear | amber |
| 33 | green | clear | green |
| 34 | green | clear | blue |
| 35 | green | clear | clear |
| 40 | blue | --- | none |
| 41 | blue | clear | red |
| 42 | blue | clear | amber |
| 43 | blue | clear | green |
| 44 | blue | clear | blue |
| 45 | blue | clear | clear |
| 50 | clear | --- | none |
| 51 | clear | clear | red |
| 52 | clear | clear | amber |
| 53 | clear | clear | green |
| 54 | clear | clear | blue |
| 55 | clear | clear | clear |

3 ACTUATOR COLOR⁴

| | |
|----|-------|
| BL | Black |
| WH | White |

4 BASE COLOR⁴

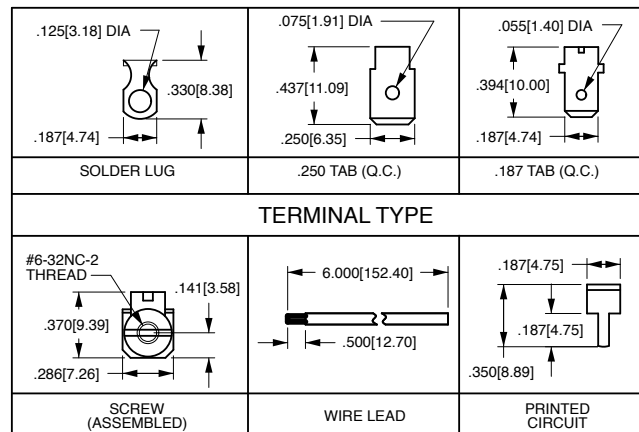
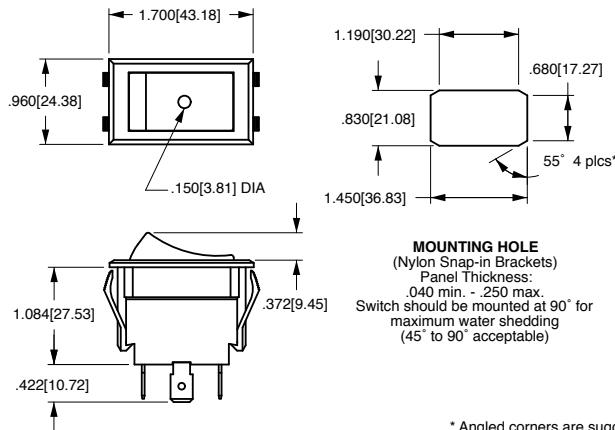
| | |
|----|-------|
| BL | Black |
| WH | White |

5 LAMP VOLTAGE²

| incandescent | |
|--------------|---------------|
| 6V | 6 volt |
| 12V | 12 volt |
| 18V | 18 volt |
| 24V | 24 volt |
| 28V | 28 volt |
| neon | |
| 125N | 125 volt neon |
| 250N | 250 volt neon |

Notes:

- Independent lamp is standard. Dependent lamp with ON-OFF function (including momentary) is available with Lighting Sequences 10, 20, 30, 40 and 50. (No light in OFF position.)
- Green and blue not recommended with 125 volt or 250 volt neon lamps.
- Additional terminations available. Consult factory.
- Custom colors available. Consult factory.
- () Indicates momentary function.



* Angled corners are suggested for optimum fit. Standard rectangular cutout is acceptable.

*Manufacturer reserves the right to change product specification without prior notice.

Authorized Sales Representatives and Distributors

Click on a region of the map below to find your local representatives and distributors or visit www.carlingtech.com/findarep.



About Carling

Founded in 1920, Carling Technologies is a leading manufacturer of electrical and electronic switches and assemblies, circuit breakers, electronic controls, power distribution units, and multiplexed power distribution systems. With four ISO registered manufacturing facilities and technical sales offices worldwide, Carling Technologies Sales, Service and Engineering teams do much more than manufacture electrical components, they engineer powerful solutions! To learn more about Carling please visit www.carlingtech.com/company-profile.

To view all of Carling's environmental, quality, health & safety certifications please visit www.carlingtech.com/environmental-certifications

Worldwide Headquarters

Carling Technologies, Inc.
60 Johnson Avenue, Plainville, CT 06062
Phone: 860.793.9281 **Fax:** 860.793.9231
Email: sales@carlingtech.com

Northern Region Sales Office: nrsm@carlingtech.com
Southeast Region Sales Office: sersm@carlingtech.com
Midwest Region Sales Office: mrrsm@carlingtech.com
West Region Sales Office: wrsm@carlingtech.com
Latin America Sales Office: larsm@carlingtech.com

Asia-Pacific Headquarters

Carling Technologies, Asia-Pacific Ltd.,
Suite 1607, 16/F Tower 2, The Gateway,
Harbour City, 25 Canton Road,
Tsimshatsui, Kowloon, Hong Kong
Phone: Int + 852-2737-2277 **Fax:** Int + 852-2736-9332
Email: sales@carlingtech.com.hk

Shenzhen, China: shenzhen@carlingtech.com
Shanghai, China: shanghai@carlingtech.com
Pune, India: india@carlingtech.com
Kaohsiung, Taiwan: taiwan@carlingtech.com
Yokohama, Japan: japan@carlingtech.com

Europe | Middle East | Africa Headquarters

Carling Technologies LTD
4 Airport Business Park, Exeter Airport,
Clyst Honiton, Exeter, Devon, EX5 2UL, UK
Phone: Int + 44 1392.364422 **Fax:** Int + 44 1392.364477
Email: ltd.sales@carlingtech.com

Germany: gmbh@carlingtech.com
France: sas@carlingtech.com



Carling Technologies®

Innovative Designs. Powerful Solutions.