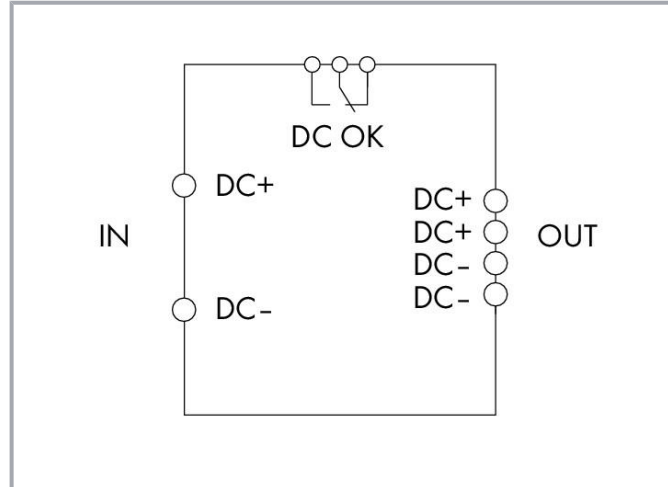
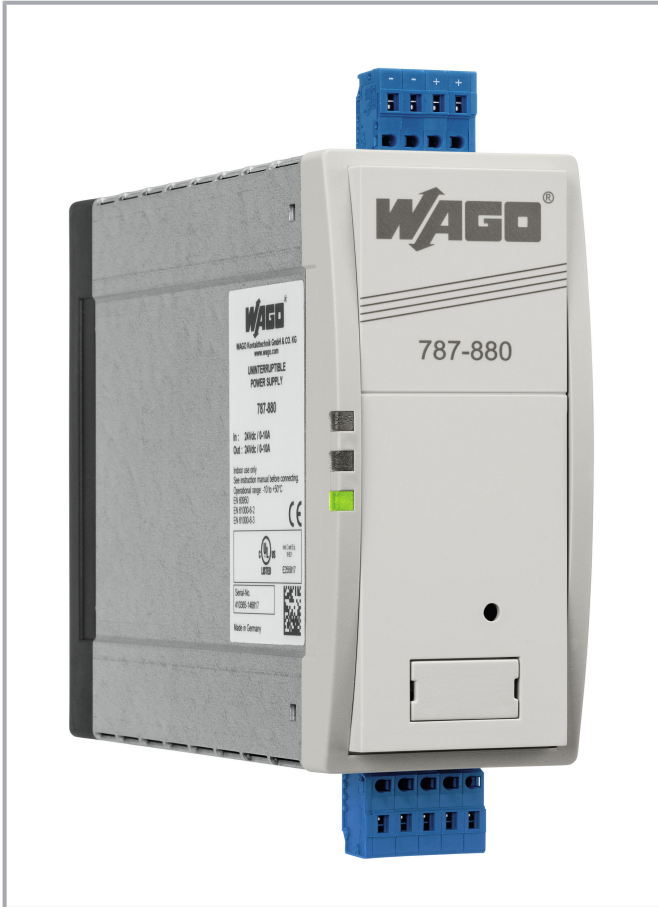


Data sheet | Item number: 787-880

capacitive buffer module; 24 VDC input voltage; 24 VDC output voltage; 10 A output current; 0.06 ... 7.2 s buffer time; communication capability; 2,50 mm²

www.wago.com/787-880



Subject to changes. Please also observe the further product documentation!

WAGO Kontakttechnik GmbH & Co. KG
Hansastr. 27
32423 Minden
Phone: +49571 887-0 | Fax: +49571 887-169
Email: info.de@wago.com | Web: www.wago.com

Do you have any questions about our products?
We are always happy to take your call at +49 (571) 887-44222.



Item description

Features:

- Capacitive buffer module bridges short duration voltage drops or load fluctuations.
- For an uninterruptible power supply
- Internal diode between input and output enables operation with a decoupled output.
- Buffer modules can be readily parallel-connected to increase buffer time or load current.
- Potential-free contact for charge condition monitoring

Subject to changes. Please also observe the further product documentation!

Data

Technical data

| | |
|---|--|
| Nominal input voltage $U_{i\text{ nom}}$ | DC 24 V |
| Input voltage range | DC 20 ... 30 V |
| Nominal mains frequency range | 0 Hz |
| Input current I_i | ≤ 0.06 A (No load); ≤ 1 A (Charging); ≤ 11 A |
| Power loss P_I | ≤ 1.5 W (No load); ≤ 6.5 W (Nominal load) |
| Nominal output voltage $U_{o\text{ nom}}$ | DC 24 V |
| Output voltage range | $U_i - 0.5$ VDC (rated operation); 20.4 ... 24 VDC (buffer mode) |
| Nominal output current $I_{o\text{ nom}}$ | 10 A |
| Current limitation | $1.1 \times I_{o\text{ nom}}$ (typ.) |
| Isolation voltage (connectors – housing) | DC 0.5 kV |
| Protection class | III |
| Protection type | IP20 (per EN 60529) |
| Reverse voltage protection | yes |
| Resistance to reverse feed | \leq DC 35 V |
| Pollution degree | 2 |
| Parallel operation | Yes |
| Series operation | No |
| MTBF | typ. 87,600 h (at 25 °C); typ. 30,500 h (at 40 °C) |
| Buffer time | 0.06 ... 7.2 s depends on load current and switch-on threshold |
| Switch-on threshold (adjustable) | DC 20 ... 24 V |
| Charging time (typ.) | 5 min |
| Signaling | 1 x LED DC OK (green) 1 x Charge LED (yellow) 1 x DC not OK LED (red) 1 x Isolated relay contact (max. 30 VDC; 1 A) |
| Operation status indicator | Green LED ($U_o > 20$ V) Yellow LED (charging) Red LED ($U_o < 20$ V) |

Connection data

| | |
|-----------------------|--------------------|
| Connection type (1) | Input/Output/Relay |
| Connection technology | |

Subject to changes. Please also observe the further product documentation!



| | CAGE CLAMP® |
|-------------------------|--|
| WAGO Connector | WAGO 231 Series |
| Solid conductor | 0.08 ... 2.5 mm ² / 28 ... 12 AWG |
| Fine-stranded conductor | 0.08 ... 2.5 mm ² / 28 ... 12 AWG |
| Strip length | 8 ... 9 mm / 0.31 ... 0.35 inch |

Physical data

| | |
|-----------------------------------|-----------------------|
| Width | 57 mm / 2.244 inch |
| Height | 163 mm / 6.417 inch |
| Depth from upper edge of DIN-rail | 179 mm / 7.047 inch |
| Note (dimensions) | Height with connector |

Mechanical data

| | |
|---------------|-------------|
| Mounting type | DIN-35 rail |
|---------------|-------------|

Material data

| | |
|--------|--------|
| Weight | 1000 g |
|--------|--------|

Environmental requirements

| | |
|---|--|
| Surrounding air temperature (operation) | -10 ... 50 °C |
| Surrounding air temperature (storage) | -10 ... 60 °C |
| Relative humidity | 5 ... 96 % (no condensation permissible) |

Standards and specifications

| | |
|--------------------------|--|
| Conformity marking | CE |
| Standards/Specifications | EN 60950 UL 508 EN 61000-6-2 EN 61000-6-3 |

Commercial data

| | |
|-------------------|---------------------------|
| Product Group | 6 (Interface Electronics) |
| PU (SPU) | 1 Stück |
| Packaging type | box |
| Country of origin | DE |
| GTIN | 4045454909833 |

Subject to changes. Please also observe the further product documentation!

WAGO Kontakttechnik GmbH & Co. KG
Hansastr. 27
32423 Minden
Phone: +49571 887-0 | Fax: +49571 887-169
Email: info.de@wago.com | Web: www.wago.com


Do you have any questions about our products?
We are always happy to take your call at +49 (571) 887-44222.

Customs tariff number

85049017000

Approvals / Certificates

UL-Approvals

| Logo | Approval | Additional Approval Text | Certificate name |
|--|--------------------------------------|--------------------------|------------------|
|  | UL Underwriters Laboratories Inc. | UL 508 | E255817 |

Optional accessories

Mounting adapter

Wall-mount adapter



Item no.: 787-895

Mounting carrier; for screw fixing of 787-8xx devices on mounting plate or wall without DIN 35 rail

www.wago.com/787-895

DIN-rail adapter



Item no.: 787-897

Carrier rail adapter made of zinc die-cast; for mounting 787-8xx devices to a DIN 35 rail

www.wago.com/787-897

Item no.: 787-896

Carrier rail adapter; for mounting 787-8xx devices to a DIN 35 rail

www.wago.com/787-896

Ferrule

Ferrule



Item no.: 216-203

Ferrule; Sleeve for 1 mm² / AWG 18; insulated; electro-tin plated; redwww.wago.com/216-203

Item no.: 216-202

Ferrule; Sleeve for 0.75 mm² / 18 AWG; insulated; electro-tin plated; graywww.wago.com/216-202

Item no.: 216-204

Ferrule; Sleeve for 1.5 mm² / AWG 16; insulated; electro-tin plated; blackwww.wago.com/216-204

Item no.: 216-201

Ferrule; Sleeve for 0.5 mm² / 20 AWG; insulated; electro-tin plated; whitewww.wago.com/216-201

Item no.: 216-223

Ferrule; Sleeve for 1 mm² / AWG 18; insulated; electro-tin plated; redwww.wago.com/216-223

Item no.: 216-241

Ferrule; Sleeve for 0.5 mm² / 20 AWG; insulated; electro-tin plated; electrolytic copper; gastight crimped; acc. to DIN 46228, Part 4/09.90; whitewww.wago.com/216-241

Item no.: 216-242

Ferrule; Sleeve for 0.75 mm² / 18 AWG; insulated; electro-tin plated; electrolytic copper; gastightwww.wago.com/216-242

Subject to changes. Please also observe the further product documentation!

WAGO Kontakttechnik GmbH & Co. KG

Hansastr. 27

32423 Minden

Phone: +49571 887-0 | Fax: +49571 887-169

Email: info.de@wago.com | Web: www.wago.com

Do you have any questions about our products?

We are always happy to take your call at +49 (571) 887-44222.

crimped; acc. to DIN 46228, Part 4/09.90; gray

| | | |
|---|--|--|
|  | Item no.: 216-222 Ferrule; Sleeve for 0.75 mm ² / 18 AWG; insulated; electro-tin plated; gray | www.wago.com/216-222 |
|  | Item no.: 216-221 Ferrule; Sleeve for 0.5 mm ² / 20 AWG; insulated; electro-tin plated; white | www.wago.com/216-221 |
|  | Item no.: 216-224 Ferrule; Sleeve for 1.5 mm ² / AWG 16; insulated; electro-tin plated; black | www.wago.com/216-224 |
|  | Item no.: 216-243 Ferrule; Sleeve for 1 mm ² / AWG 18; insulated; electro-tin plated; electrolytic copper; gastight crimped; acc. to DIN 46228, Part 4/09.90; red | www.wago.com/216-243 |
|  | Item no.: 216-244 Ferrule; Sleeve for 1.5 mm ² / AWG 16; insulated; electro-tin plated; electrolytic copper; gastight crimped; acc. to DIN 46228, Part 4/09.90; black | www.wago.com/216-244 |
|  | Item no.: 216-263 Ferrule; Sleeve for 1 mm ² / AWG 18; insulated; electro-tin plated; electrolytic copper; gastight crimped; acc. to DIN 46228, Part 4/09.90; red | www.wago.com/216-263 |
|  | Item no.: 216-264 Ferrule; Sleeve for 1.5 mm ² / AWG 16; insulated; electro-tin plated; electrolytic copper; gastight crimped; acc. to DIN 46228, Part 4/09.90; black | www.wago.com/216-264 |
|  | Item no.: 216-284 Ferrule; Sleeve for 1.5 mm ² / AWG 16; insulated; electro-tin plated; electrolytic copper; gastight crimped; acc. to DIN 46228, Part 4/09.90; black | www.wago.com/216-284 |
|  | Item no.: 216-262 Ferrule; Sleeve for 0.75 mm ² / 18 AWG; insulated; electro-tin plated; electrolytic copper; gastight crimped; acc. to DIN 46228, Part 4/09.90; gray | www.wago.com/216-262 |
|  | Item no.: 216-301 Ferrule; Sleeve for 0.25 mm ² / AWG 24; insulated; electro-tin plated; yellow | www.wago.com/216-301 |
|  | Item no.: 216-321 Ferrule; Sleeve for 0.25 mm ² / AWG 24; insulated; electro-tin plated; yellow | www.wago.com/216-321 |
|  | Item no.: 216-322 Ferrule; Sleeve for 0.34 mm ² / 22 AWG; insulated; electro-tin plated; green | www.wago.com/216-322 |
|  | Item no.: 216-302 Ferrule; Sleeve for 0.34 mm ² / 22 AWG; insulated; electro-tin plated; green | www.wago.com/216-302 |

Marking accessories

Marking strip



Item no.: 2009-110
Marking strips; for Smart Printer; on reel; not stretchable; plain; snap-on type; white

www.wago.com/2009-110



Item no.: 210-831
Marking strips; on reel; 2.3 mm wide; plain; Self-adhesive; white

www.wago.com/210-831

Subject to changes. Please also observe the further product documentation!



Item no.: 210-832
Marking strips; on reel; 3 mm wide; plain; Self-adhesive; white

www.wago.com/210-832

Tool

Operating tool



Item no.: 210-720
Operating tool; Blade: 3.5 x 0.5 mm; with a partially insulated shaft; multicoloured

www.wago.com/210-720

Downloads

Documentation

Bid Text

| | | | |
|-------------------------|--------------|-----------------|----------|
| 787-880 docx - Datei | 2019. 7. 12. | docx 21.8 kB | Download |
| 787-880 X81 - Datei | 2019. 7. 12. | xml 6.3 kB | Download |

Instruction Leaflet

| | | | |
|--|--|-----------------|----------|
| EPSITRON Capacitive Buffer Modules 24 VDC, 10 A | | pdf 529.2 kB | Download |
|--|--|-----------------|----------|

Additional Information

| | | | |
|--|---------|-----------------|----------|
| Disposal; Electrical and electronic equipment, Packaging | V 1.0.0 | pdf 265.8 kB | Download |
|--|---------|-----------------|----------|

CAD/CAE-Data

CAD data

| | | | |
|----------------------|--|-----|----------|
| 2D/3D Models 787-880 | | URL | Download |
|----------------------|--|-----|----------|

CAE data

| | | | |
|---------------------------|--|-----|----------|
| EPLAN Data Portal 787-880 | | URL | Download |
| WSCAD Universe 787-880 | | URL | Download |
| ZUKEN Portal 787-880 | | URL | Download |

Subject to changes. Please also observe the further product documentation!

WAGO Kontakttechnik GmbH & Co. KG
Hansastr. 27
32423 Minden
Phone: +49571 887-0 | Fax: +49571 887-169
Email: info.de@wago.com | Web: www.wago.com

Do you have any questions about our products?
We are always happy to take your call at +49 (571) 887-44222.



Environmental Product Compliance

Compliance Search

Environmental Product Compliance 787-880

URL

Download

capacitive buffer module; 24 VDC input voltage; 24 VDC output voltage; 10 A output current; 0.06 ... 7.2 s buffer time; communication capability; 2,50 mm²

Installation Notes

Subject to changes. Please also observe the further product documentation!

WAGO Kontakttechnik GmbH & Co. KG

Hansastr. 27

32423 Minden

Phone: +49571 887-0 | Fax: +49571 887-169

Email: info.de@wago.com | Web: www.wago.com

Do you have any questions about our products?

We are always happy to take your call at +49 (571) 887-44222.