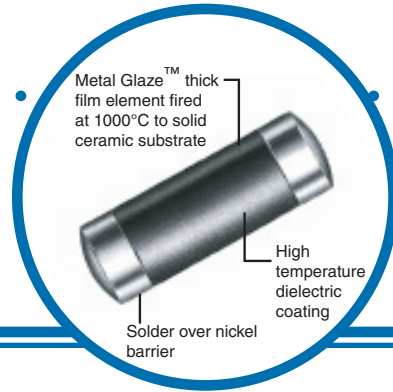


Cylindrical Surface Mount Zerohm Jumpers

ZCHP Series

- Reliable Metal Glaze™ technology
- Available in all standard CHP sizes
- Superb solderability - reflow and wave
- Operating temperature -55°C to +150°C



Applications

Zerohm Jumpers or Crossovers are basically interconnection devices between points on a PC board. Typically, they are used to connect two points on a PC board due to other circuit paths which must be crossed over. The XCHP Jumpers are available in four case sizes and are supplied on tape and reel to support high volume placement.

Electrical Data

Size Code	Industry Footprint	IRC Type	Maximum Resistance (mΩ)	Current Rating @ 25°C (amps) ²
B	1206	ZCHP 1/8	20	3
D	2010	ZCHP 1/2	30	4
F	2512	ZCHP 1	35	5
H	3610	ZCHP 2	35	6

² Derate current to "0" amps at 150°C.

Ordering Data

Sample Part No. **ZCHP 1** - **13**

IRC Type •
(CHP 1/8, CHP 1/2, CHP 1, or CHP 2)

Packaging Code* •
BLK = Bulk, 7 = 7" Reel, 13 = 13" Reel

General Note

IRC reserves the right to make changes in product specification without notice or liability. All information is subject to IRC's own data and is considered accurate at time of going to print.