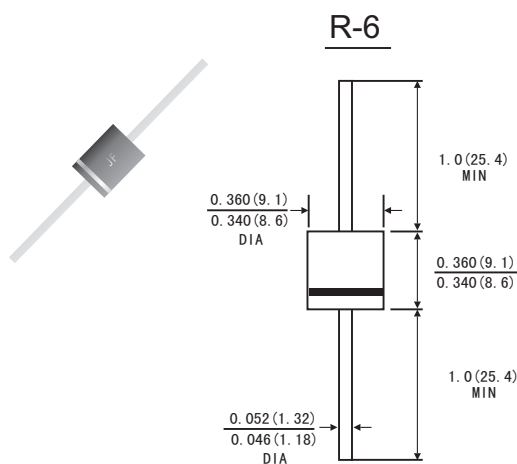


### FEATURES

- The plastic package carries Underwrites Laboratory
- Flammability Classification 94V-0
- High forward current capability
- High surge current capability
- Construction utilizes void-free molded plastic technique
- High temperature soldering guaranteed:260°C/10 seconds at terminals
- Component in accordance to RoHS 2011/65/EU

### MECHANICAL DATA

- Case: R-6 molded plastic body
- Terminals: Plated axial lead, solderable per MIL-STD-750,method 2026
- Polarity: Color band denotes cathode end
- Mounting Position: Any
- Weight: 0.07ounce, 2.1 grams



Dimensions in inches and (millimeters)

### MAXIMUM RATINGS AND ELECTRICAL CHARACTERISTICS

(Ratings at 25°C ambient temperature unless otherwise specified ,Single phase ,half wave 60Hz,,resistive or inductive load. For capacitive load, derate by 20%.)

	Symbols	10A05G	10A1G	10A2G	10A3G	10A4G	10A6G	10A8G	10A10G	Unis
Maximum recurrent peak reverse voltage	$V_{RRM}$	50	100	200	300	400	600	800	1000	Volts
Maximum RMS voltage	$V_{RMS}$	35	70	140	210	280	420	560	700	Volts
Maximum DC blocking voltage	$V_{DC}$	50	100	200	300	400	600	800	1000	Volts
Maximum average forward rectified current 0.375"(9.5mm) lead length $T_A=60^\circ C$	$I_{(AV)}$	10.0								Amps
Peak forward surge current (8.3ms half sine-wave superimposed on rated load (JEDEC method)	$I_{FSM}$	500.0								Amps
Maximum instantaneous forward voltage at 10.0 A	$V_F$	1.1								Volts
Maximum reverse current at rated DC blocking voltage	$I_R$	$T_A=25^\circ C$								$\mu A$
		$T_A=100^\circ C$								
Maximum Full Load Reverse Current, Full Cycle Average .375"(9.5mm)Lead Length @ $T_A=75^\circ C$	HTIR	5.0								$\mu A$
Typical thermal resistance (Note 2)	$R_{\theta JC}$	2.5								$^\circ C/W$
Typical junction capacitance (Note 1)	$C_J$	100								pF
Operating and Storage temperature range	$T_J$ $T_{STG}$	-55 to+175								$^\circ C$

Note: 1.Measured at 1MHz and applied reverse voltage of 4.0V D. C .

2.Mounton Cu-Pad Size 16mm 16mm on P. C. B.

# RATINGS AND CHARACTERISTIC CURVES 10A05G THRU 10A10G

FIG.1-FORWARD CURRENT DERATING CURVE

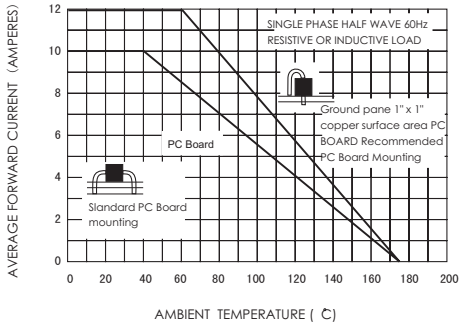


FIG.2-TYPICAL INSTANTANEOUS FORWARD CHARACTERISTICS

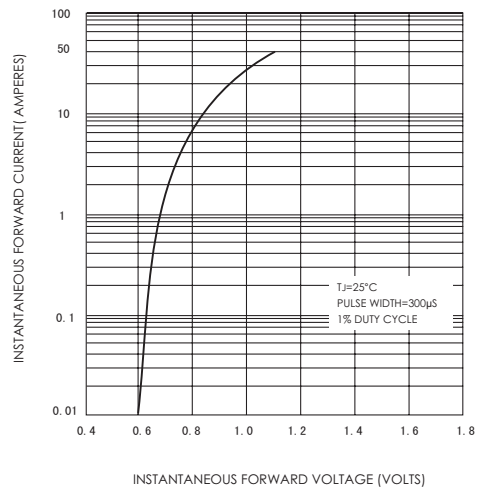


FIG.3-MAXIMUM NON-REPETITIVE PEAK FORWARD SURGE CURRENT

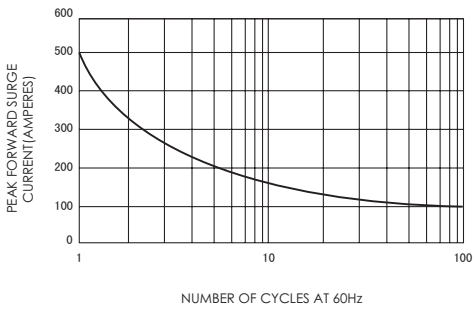


FIG.4-TYPICAL REVERSE CHARACTERISTICS

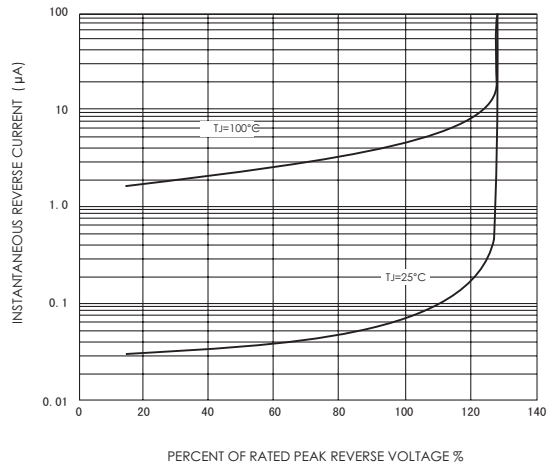


FIG.5-TYPICAL JUNCTION CAPACITANCE

