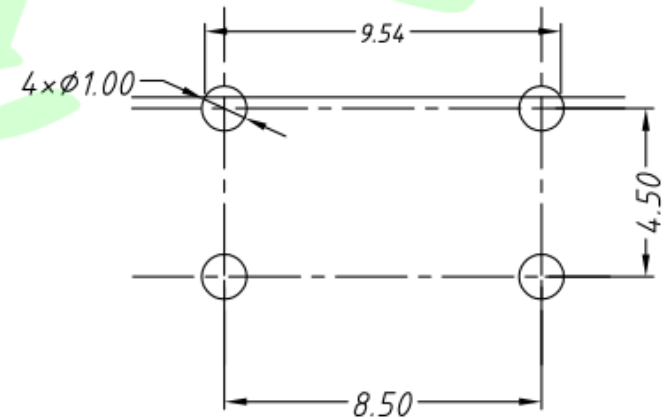
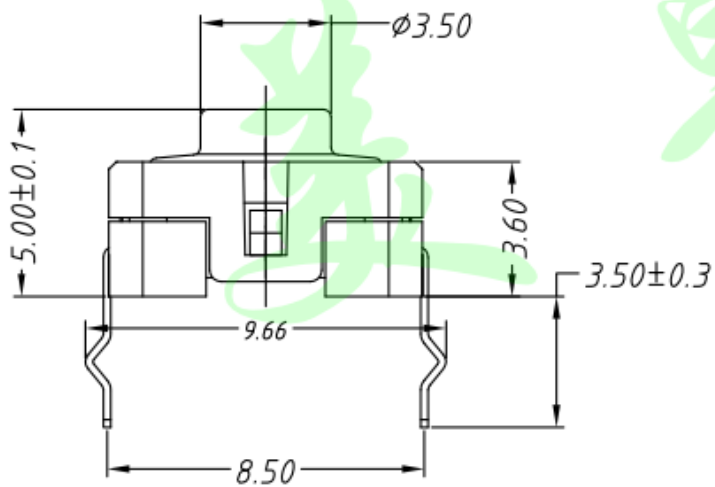


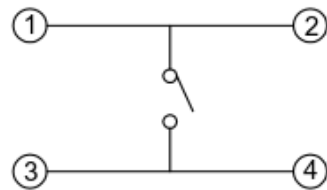
Notes:

1. Operating Life :1, 000, 000;
2. Rohs Conform .

子
电
韩



PCB Layout



circuit diagram

Dongguan Usakro Electronic Technology Co., Ltd.

			angle	±2'	design	date	name	UK-B02128-G5
			10~30	±0.30	Review	date		
			5~10	±0.20	Approved	date		
			~ 5	±0.10	Drawing number:			name 特点: 防水等级IP67
modify	Review	Approved	Tolerance not specified	Proportion	1:1	unit	mm	gape number