

PRODUCT NUMBER
89882-YXX(Z)LF

WHEN NEEDED, SUFFIX LETTER "LF"
INDICATES THE PRODUCT IS RoHS
COMPATIBLE, SEE NOTE 5.

OPTIONAL LETTER

H: HIGH TEMPERATURE PRODUCT.

NUMBER OF POSITIONS: 02 TO 65.

PLATING CODE

3= 0.76µm GOLD ON CONTACT AREA.

3.81µm TIN-LEAD ON TAIL.

4= 5µm TIN-LEAD ON CONTACT AREA.

3.81µm TIN-LEAD ON TAIL.

WHEN SUFFIX "LF" IS REQUIRED, 2µm MIN MATTE
TIN OVER 1.27 MIN Ni IS SUPPLIED INSTEAD OF SnPb.

NOTES:

1 - HOUSING MAT'L: THERMOPLASTIC GLASS FILLED
FLAME RETARDANT PER UL 94 V-0
LOW TEMPERATURE: COLOR BLUE
HIGH TEMPERATURE: COLOR GREY.

2 - TERMINAL MATERIAL: PHOSPHOR BRONZE.
3 - 2 UP TO 4 POSITIONS PRODUCT PACKED IN PLASTIC BOX.
5 UP TO 65 POSITIONS PRODUCT PACKED IN TUBE.

4 - TO DETERMINE DIMENSIONS:
N = NUMBER OF POSITIONS
EXAMPLE: 8 POS: (N×2.54)-0.08=20.24 mm.

5 - RoHS COMPATIBLE PRODUCT SPECIFICATIONS

a - PLATING:

- "LF" MEANS THE PRODUCT IS LEAD-FREE,
2µm MINIMUM MATTE TIN OVER 1.27µm
MINIMUM NICKEL UNDERPLATE.

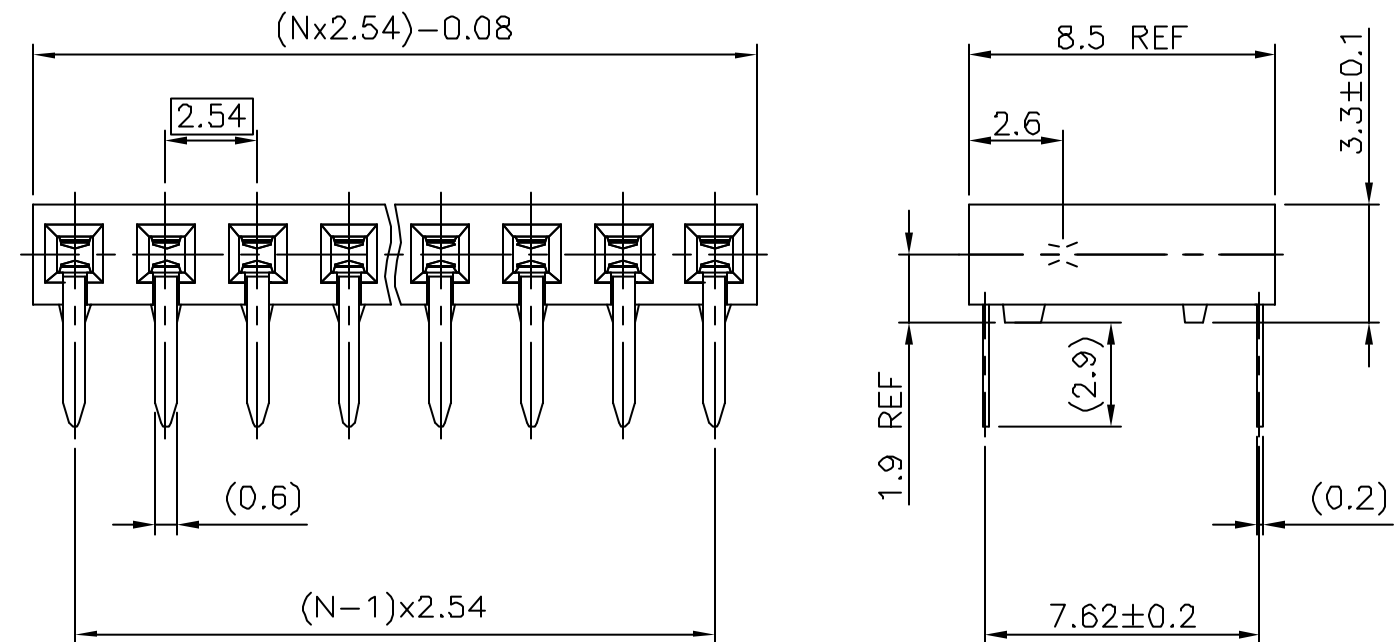
b - MANUFACTURING PROCESS COMPATIBILITY

- THE HOUSING WILL WITHSTAND EXPOSURE TO
260°C ±5°C SOLDER BATH TEMPERATURE FOR
5 SECONDS IN A WAVE SOLDER APPLICATION
WITH A 1.6mm MIN THICK CIRCUIT BOARD.

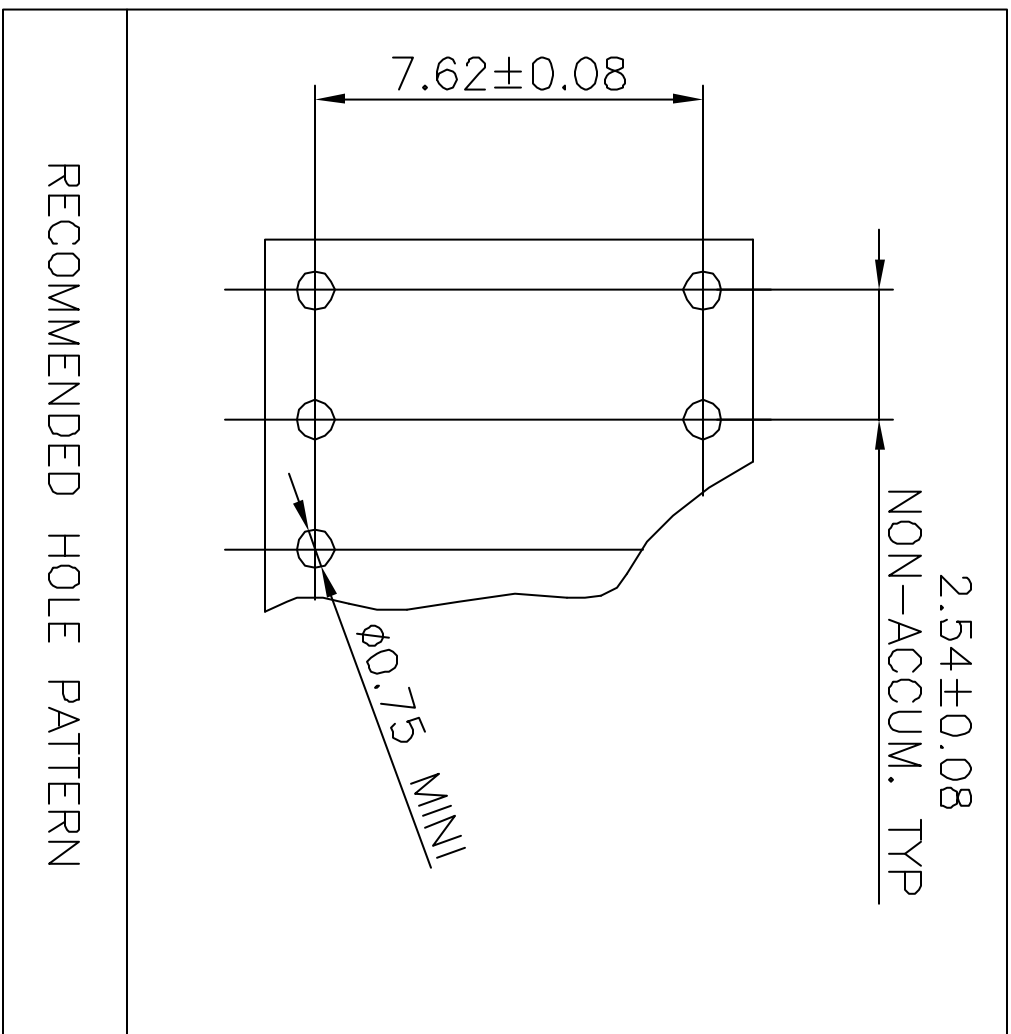
c - LABELING:

- MEETS PACKAGING SPECS AS PER GS-14-920

d - LEGAL STATEMENT: SEE GS-22-008



mat'l. code				surface		tolerance		projection		product family	
SEE NOTES				ISO 1302		ISO 406 ISO 1101		mm		DUBOX	
ltr	ecn no	dr	date	tolerances unless otherwise specified				mm		title	
C	F60362	PNZ	96.05.20	angles		±0.3		mm		BtB RECEPT.	
D	F60461	PNZ	96.06.20	Linear						HORIZ SR TMT	
E	F10110	GCO	01.01.16	±z				scale 5:1		dwg no	
F	04-0145	DLE	04.02.25	dr	D	LEGRAND	04.08.29	FCJ		sheet 1 of 2	
G	04-0347	DLE	04.09.28	enr	P	NIZZI	04.09.28			size	
H	06-0204	DLE	06.06.21	chr	D	LEGRAND	04.09.28			89882	
J	06-0330	DLE	06.12.04	appd	P	NZ	04.09.28			A3	
sheet		revision		J		B				type	
index		sheet		1		2				CUSTOMER Drawing	



mat'l. code		surface		tolerance		projection		product family	
SEE SHEET 1		ISO 1302		ISO 406 ISO 1101		 mm scale 5:1		DUBOX	
ltr ecn no dr date		tolerances unless otherwise specified		angles linear		title		type	
A F04-0347 DLE 04.09.28		±0.3		±2°		BTB RECEIPT. HORIZ SR TMT		CUSTOMER	
B F06-0204 DLE 06.06.21						dwg no		Drawing	
		dr		D LEGRAND		89882		sheet 2 of 2	
		engr		P NIZZI		size		A4	
		chr		D LE					
		appd		P NZ					
sheet index		revision							
sheet		sheet							