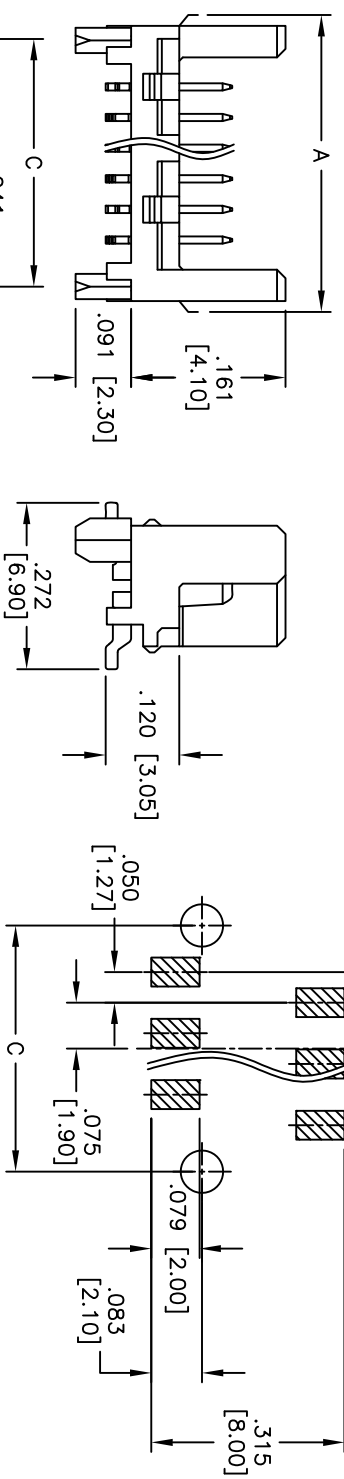
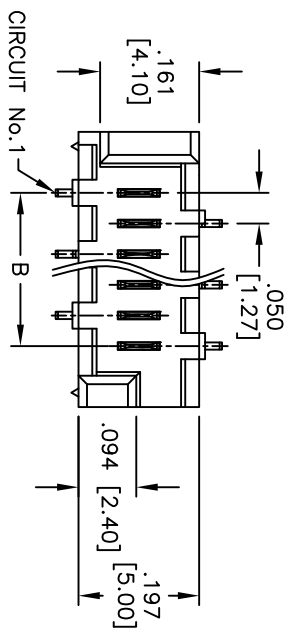


Rev	AWO #	Description	Date	Appr
-		RELEASED	1/19/10	

APPROVED: \_\_\_\_\_  
 DATE: \_\_\_\_\_ TITLE: \_\_\_\_\_



RECOMMENDED PCB LAYOUT

PACKAGED ON TPAE & REEL

Positions: 04, 06, 08, 10, 12, 14, 16, 18, 20, 22, 24, 26  
 A = .050 [1.27] x No. of Spaces + .199 [5.05]  
 B = .050 [1.27] x No. of Spaces  
 C = .050 [1.27] x No. of Spaces + .152 [3.85]

**ADAM TECH**

909 Rahway Avenue, Union, NJ 07083  
 Phone: 908-687-5000 Fax: 908-687-5710

TITLE  
 .050 [1.27] PITCH HEADER, STRAIGHT SMT TYPE



**SPECIFICATIONS:**  
 Material: Insulator: Hi-temp thermoplastic, rated UL 94V-0  
 Insulator color: Black  
 Contacts: Copper Alloy  
 Plating: Tin over Copper underplate overall  
 Electrical: Operating voltage: 32V AC/DC max  
 Current rating: 1.2 A AC/DC  
 Contact resistance: 15 mohms max  
 Insulation resistance: 1000 Mohms min  
 Dielectric withstanding voltage: 750V AC for 1 minute  
 Operating temperature range: -40°C to +105°C  
 Environmental: Lead free, RoHS compliant  
 Recommended soldering temp: 260°C for 5 sec.

UNLESS OTHERWISE SPECIFIED ALL DIMENSIONS ARE INCHES [MM]	
TOLERANCES: EXCEPT AS NOTED	
INCHES	HOLDS
.X ± .10	ØX ± .10
.XX ± .020	ØXX ± .015
.XXX ± .015	ØXXX ± .010
APPROVALS	DATE
DRAWN DY	1/19/10
CHECKED	
APPROVED	

SIZE X	PART NO. 127SHQ-XX-TS-SMT-T/R	REV. -
REF: S00055T	SCALE: NTS	SHEET 1 OF 1