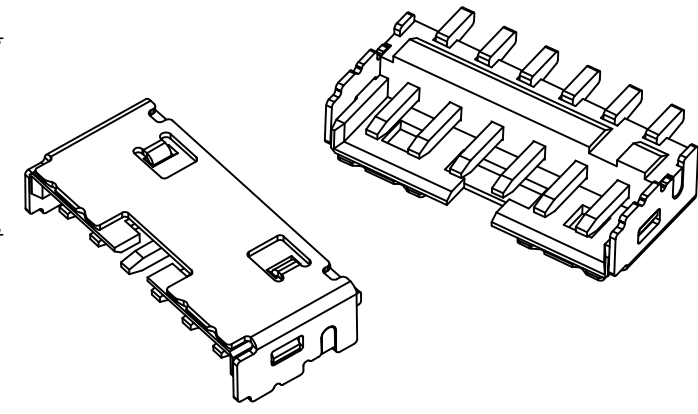
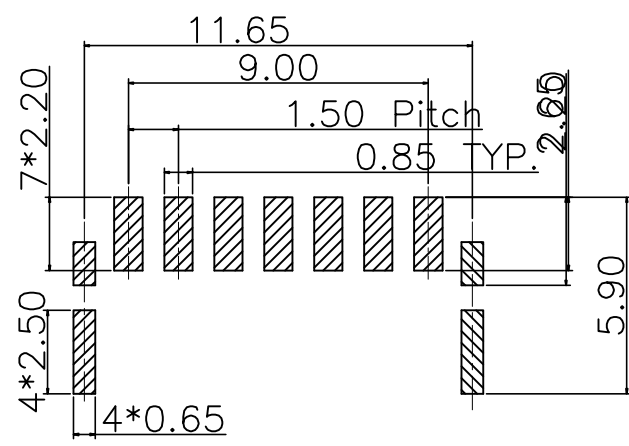
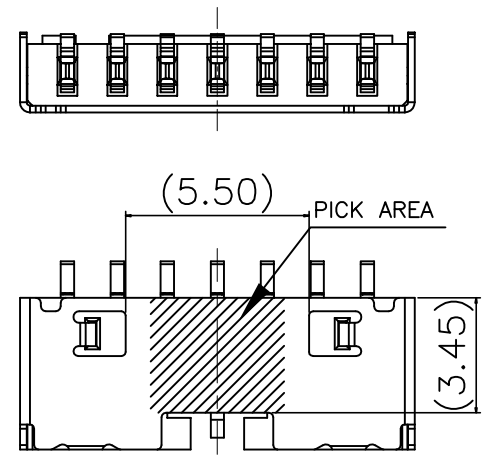
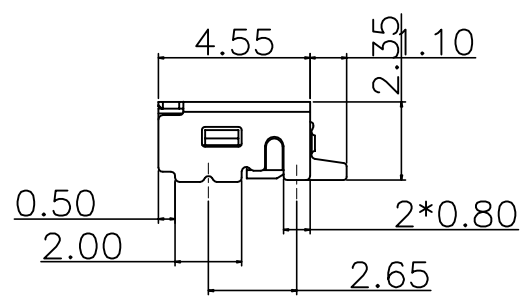
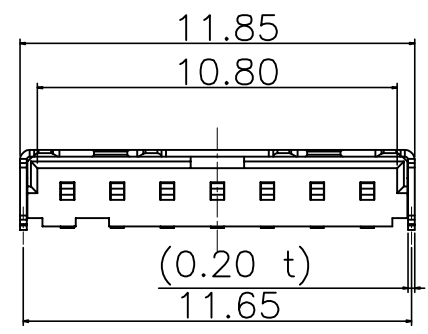


修 订	标 记	修 改 描 要	签 名	日 期
REV	MARK	REVISION DESCRIPTION	SIGNATURE	DATE
AO		NEW DRG		2016-03-12



RECOMMEND P.C.B LAYOUT
TOP VIEW TOLERANCE:±0.05



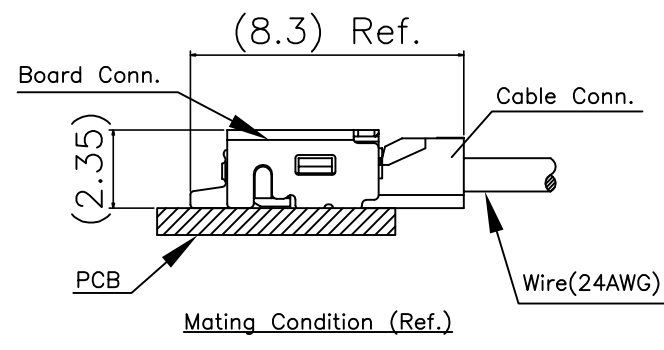
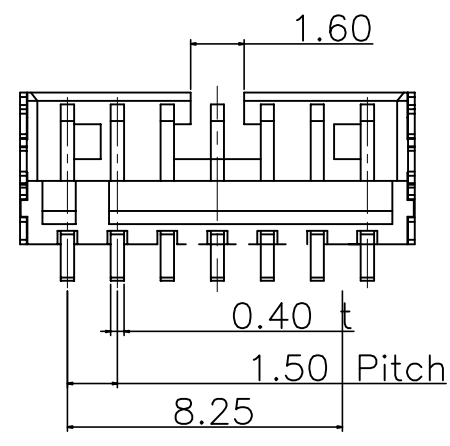
NOTES:

* MATERIAL:

- 1.HOUSING:LCP+30%G/F,UL94 V-0,Color:Black;
- 2.CONTACT: Brass, T=0.40mm;
- 3.Shell: STAINLESS STEEL, T=0.20mm.

* FINISH:

- 1.CONTACT:
GOLD PLATED ALL OVER;
NICKEL UNDER PLATED ALL OVER.
- 2.Shell:
Ni UNDER PLATED OVER ALL;
Matte Tin Plated Over All.



		深圳市华德共创科技有限公司 Shenzhen Huade co-create Technology Co.,LTD 电话: 0755-27111225 传真: 0755-29940187						
		TITLE: 唐虞1.5卧贴针座 产品名称: 唐虞1.5卧贴针座						
-TOLERANCES- UNLESS OTHERWISE SPECIFIED 公差参数表				PART NO: HDGC1507WR-S-7P 产品编号:				
X.X	±0.30	X.X'	±3'	APPD: 核准:	DATE	SCALE	UNIT	CODE NUMBER
X.XX	±0.20	X.XX'	±2'	CHECK: 校对: 王建业	2016-03-12	1:1	mm	A001
X.XXX	±0.10	X.XXX'	±1'	DRAW: 绘图: 黄艳兰				