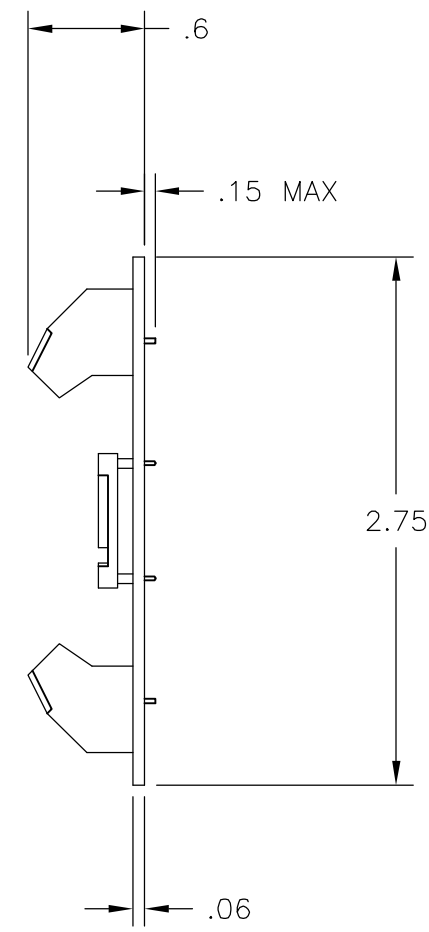
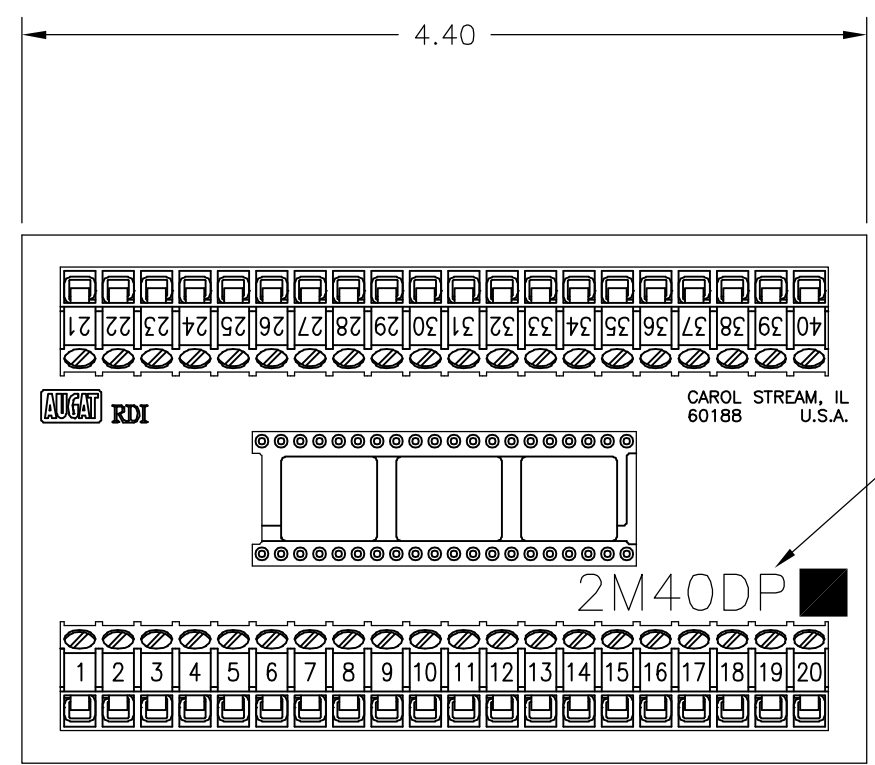


THIS DRAWING IS UNPUBLISHED. RELEASED FOR PUBLICATION
 © COPYRIGHT BY TYCO ELECTRONICS CORPORATION. ALL RIGHTS RESERVED.

| LOC | DIST | REVISIONS | | | | | |
|-----|------|-----------|-----|--------------------------|---------|-----|------|
| FT | 0 | P | LTR | DESCRIPTION | DATE | DWN | APVD |
| | | | A | REVISED PER ECO-05-10413 | 9/30/05 | SS | SRY |



DIP SOCKET:
 MATERIALS:
 HOUSING: THERMOPLASTIC POLYESTER, 94V-0.
 CONTACTS: COPPER ALLOY, GOLD PLATED.

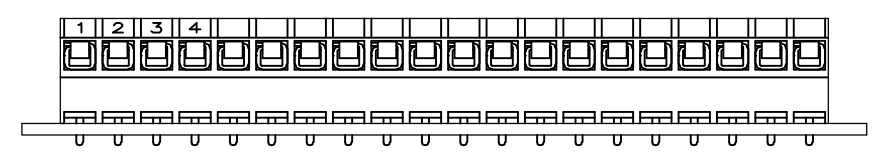
TERMINAL BLOCK:
 MATERIALS:
 HOUSING: THERMOPLASTIC NYLON, BLACK, 94V-0.
 TERMINALS: COPPER ALLOY, TIN PLATED.
 SCREWS: 3M, BRASS, NICKEL PLATED.

ELECTRICAL:
 RATING: 10A, 300V(UL).

MECHANICAL:
 WIRE RANGE: 14-22 AWG.

MOUNTING:
 MATERIALS:
 MOUNTING: 2TK2 AND 2TK2D SERIES SNAPLOCK,
 (SOLD SEPARATELY).

- ① CATALOG NUMBER MARKED HERE.
- ② CONTAINS NO TIN-LEAD PLATING.



| | | |
|---|----------------|-------------|
| ② | 2M40DPL | 1776603-1 |
| | 2M40DP | 2-1437684-4 |
| | CATALOG NUMBER | PART NUMBER |

| | | | | | | |
|--|--|--------------------------------|---|--------------------|-----------------------------|---------------|
| THIS DRAWING IS A CONTROLLED DOCUMENT. | | DWN M.S. FEHER 31MAR2004 | Tyco Electronics Corporation Harrisburg, PA 17105-3608 | | | |
| DIMENSIONS: INCHES | | CHK S YODER 31MAR2004 | | | | |
| | | APVD S YODER 31MAR2004 | NAME 2M40DP ASSEMBLY | | | |
| TOLERANCES UNLESS OTHERWISE SPECIFIED: | | PRODUCT SPEC | - | | | |
| 0 PLC ± - 1 PLC ± .1 2 PLC ± .01 3 PLC ± - 4 PLC ± - ANGLES ± - | | APPLICATION SPEC | - | | | |
| MATERIAL | | WEIGHT | SIZE A3 | CAGE CODE 00779 | DRAWING NO C-2-1437684-4 | RESTRICTED TO |
| - | | - | SCALE NTS | | SHEET 1 OF 1 | REV A |
| CUSTOMER DRAWING | | | | | | |