

REVISION RECORD

REV	ECN	DESCRIPTION	DRFT	DATE
-----	-----	-------------	------	------

NOTES1:

UL Standard

- 1. Rated voltage/current : 300V / 8A
- 2. Withstanding voltage : AC1600V/1Min.

IEC Standard

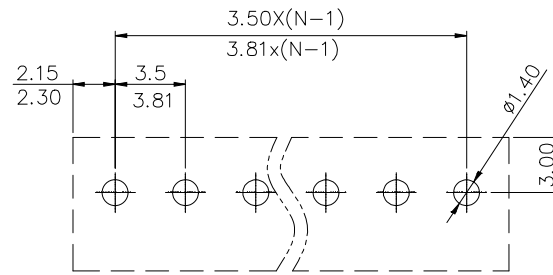
1. Pollution Degree	2
Overvoltage Category	II
Rate Impulse Voltage(KV)	2.5KV
Rate Voltage(V)	250V
Rate Current(A)	7A

NOTES2:

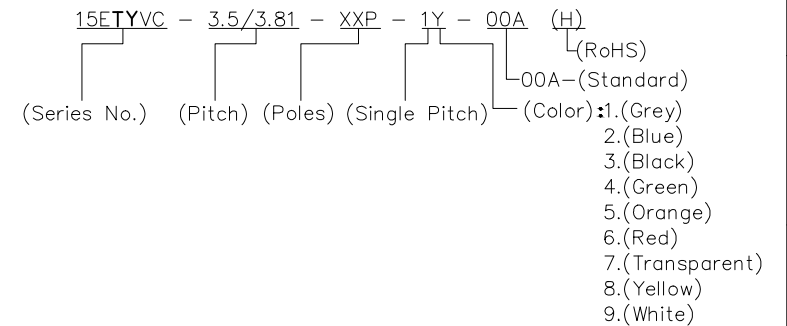
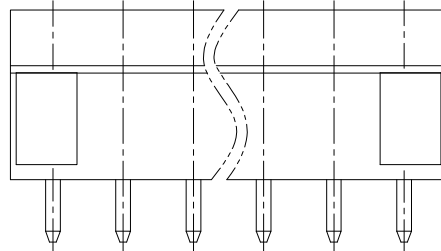
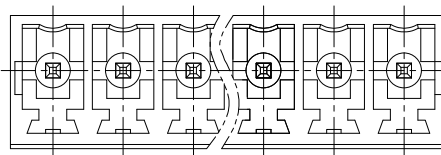
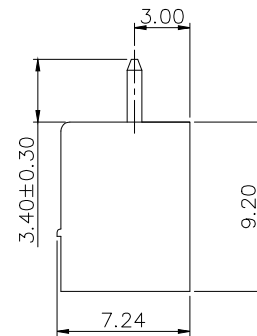
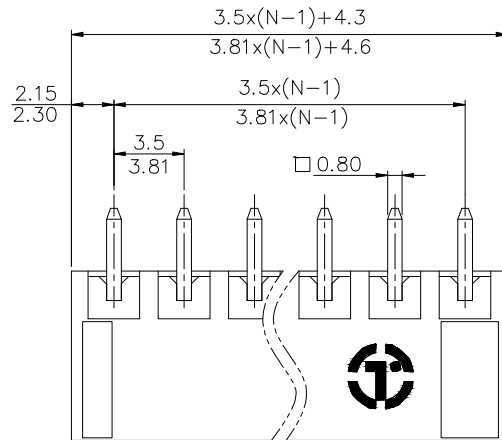
- 1. Dimension shall be interpreted per ASME Y14.5-2009
- 2. Pitch : 3.5/3.81mm, Poles : N=02~24P
- 3. Operating temperature: -40°C~+105°C
- 4. Undimensioned tolerances:

Pitch range in mm		Nominal dimension range in mm					
TO	Over	TO	Over	TO	Over	TO	Over
6	10	30	60	100	150	0.1/10	
10	24	60	100	150		<	
±0.15	±0.20	±0.30	±0.30	±0.50	±0.70	±1.00	±1.30
							±2°

5. RoHS Compliance



PCB LAYOUT



DETACHED LISTS	PART NO.:	拓宜 (上海) 工控电器设备有限公司			
	APPD: /				
	CHKD: /	15ETYVC-3.5/3.81-XXP-1Y-00A(H)			
	DRFT: /	TITLE: CUSTOMER DRAWING	REV	DO	
		DRAWING NO.: /	SHEET	1/1	
		DO NOT SCALE DRAWING	SCALE	1:1	