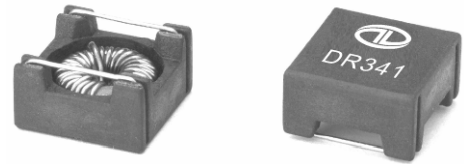
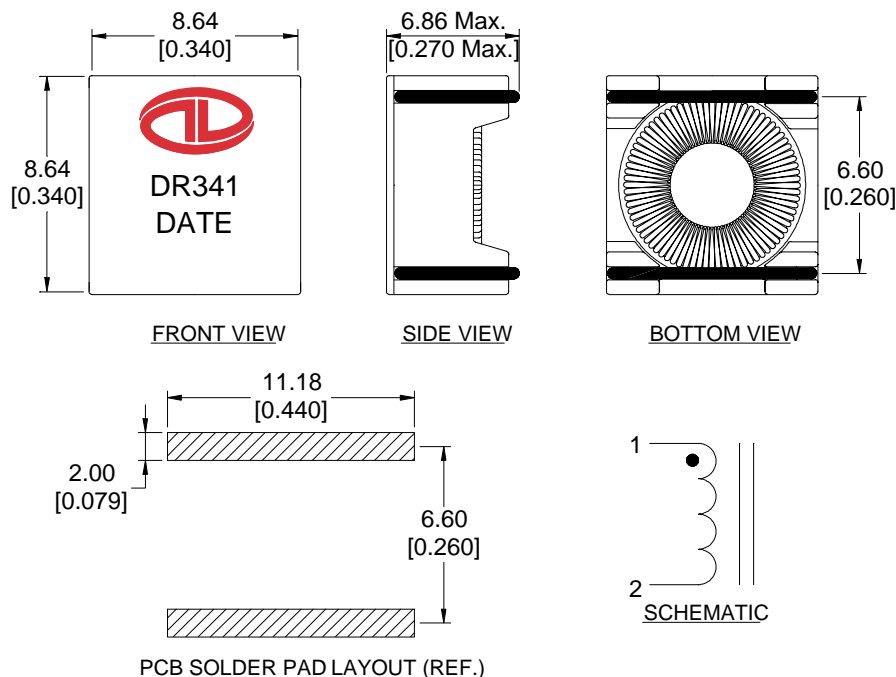


**SELF-LEADED SMD INDUCTOR DR341 SERIES**
**Features**

- Low Profile Surface Mount Design
- Flat Top for Pick and Place
- Inductance Range from 26 $\mu$ H to 260 $\mu$ H
- Tape & Reel Packing
- Operating Temp. -40°C to +85°C
- Tinned Leads with Leaded Solder is Available (note 3)


**ELECTRICAL SPECIFICATIONS AT 25°C**

PART No.	INDUCTANCE ( $\mu$ H) $\pm 20\%$ @100KHz, 0.1V	DCR ( $\Omega$ ) $\pm 20\%$	RATED CURRENT (A) Nominal	E <sub>Top</sub> @100KHz (V- $\mu$ Sec) Ref.
DR341-260	26	0.62	0.45	6.6
DR341-390	39	0.80	0.34	6.6
DR341-550	55	1.00	0.30	6.6
DR341-790	79	1.50	0.25	9.9
DR341-121	120	1.80	0.20	13.2
DR341-181	180	2.80	0.16	16.5
DR341-261	260	3.40	0.13	23.1

**MECHANICAL OUTLINES**

**NOTES:**

1. All dimensions are shown in millimeters "mm" [inches "in"].
2. General tolerance  $\pm 0.25$ mm [0.010 in.], unless otherwise specified.
3. For non-RoHS parts replace DR prefix with 42- (e.g. DR341 becomes 42-341).
4. Terminal finish is compliant to RoHS requirements. Solder in accordance with J-STD-020C.