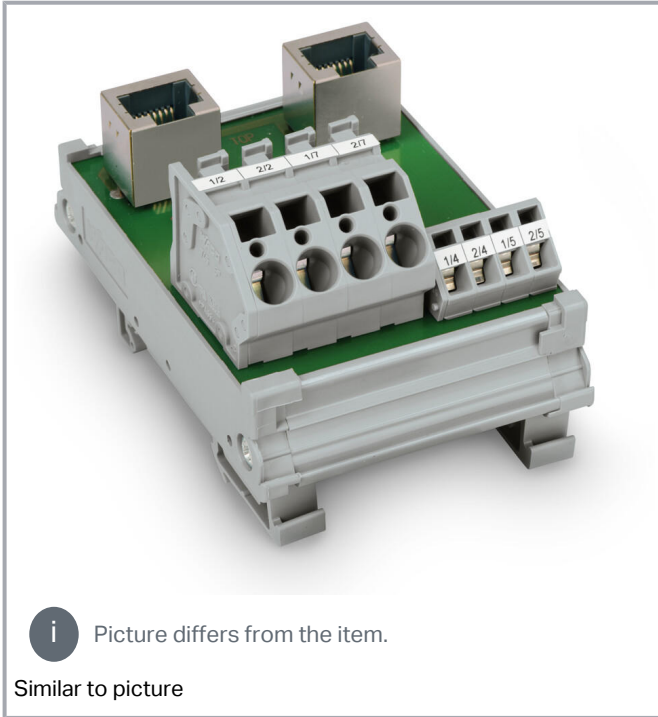


Data sheet | Item number: 289-966

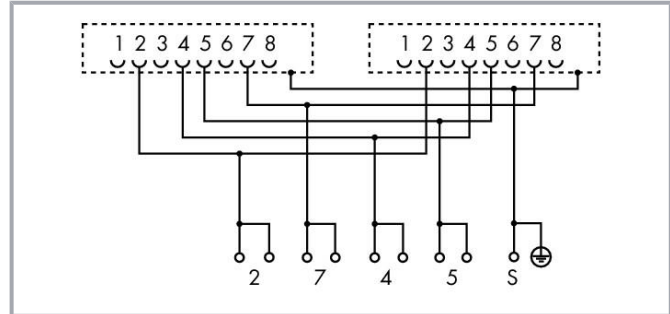
Interface module; 2xRJ-45; PCB terminal blocks, double-row; in mounting carrier; with shield connection

www.wago.com/289-966



i Picture differs from the item.

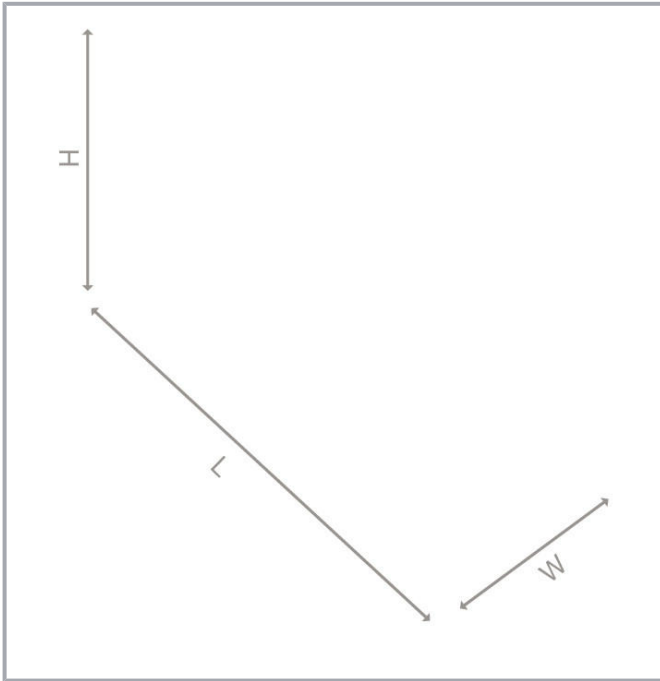
Similar to picture



Subject to changes. Please also observe the further product documentation!

WAGO GmbH & Co. KG
Hansastr. 27
32423 Minden
Phone: +49571 887-0 | Fax: +49571 887-169
Email: info.de@wago.com | Web: www.wago.com

Do you have any questions about our products?
We are always happy to take your call at +49 (571) 887-44222.



Item description

Short description:

Compatible on the field side with the 789-620, 789-621 and 789-622 Current Sensors

Required terminal assignment:

2: + Supply

7: - Supply

4: D+

5: D-

Direct shield connection to the DIN-rail via shield grounding foot

Data

Electrical data

Nominal current	1.5 A
Insulation resistance	$\geq 500 \text{ M}\Omega$
Specialty functions	with shield connection with shield clamping saddle

Subject to changes. Please also observe the further product documentation!

WAGO GmbH & Co. KG
Hansastr. 27
32423 Minden
Phone: +49571 887-0 | Fax: +49571 887-169
Email: info.de@wago.com | Web: www.wago.com

Do you have any questions about our products?
We are always happy to take your call at +49 (571) 887-44222.



Safety and protection

Dielectric strength, contact/contact (AC, 1 min)	0.5 kV _{rms}
--	-----------------------

Connection data

Pole No.	8
Connection type (1)	System
Pluggable connectors	2 x RJ-45 (shielded)
Connection type 2	Clamping units 2, 7
Pole number 2	8
Design 2	PCB terminal blocks
Connection technology 2	CAGE CLAMP®
WAGO Connector 2	WAGO 236 Series
Solid conductor 2	0.08 ... 2.5 mm ² / 28 ... 12 AWG
Fine-stranded conductor 2	0.08 ... 2.5 mm ² / 28 ... 12 AWG
Strip length 2	5 ... 6 mm / 0.2 ... 0.24 inch
Connection type (3)	Clamping units 4, 5
Pole number 3	4
Design 3	PCB terminal blocks
Connection technology 3	CAGE CLAMP®
WAGO Connector 3	WAGO 745 Series
Solid conductor 3	0.2 ... 6 mm ² / 24 ... 10 AWG
Fine-stranded conductor (3)	0.2 ... 6 mm ² / 24 ... 10 AWG
Strip length 3	11 ... 12 mm / 0.43 ... 0.47 inch
Note (conductor cross-section)	12 AWG: THHN, THWN
Mating cycles	500
Connection cable	Shielded RJ-45 cable assembly (recommended: UTP, STP)
WAGO Shield Clamping Saddle	27 mm wide; cable diameter up to 24 mm

Physical data

Width	69 mm / 2.717 inch
Height	85 mm / 3.346 inch
Depth from upper edge of DIN-rail	40 mm / 1.575 inch

Mechanical data

Mounting type	DIN-35 rail
---------------	-------------

Subject to changes. Please also observe the further product documentation!



Housing design

Mounting carrier

Material data

Fire load 0.788 MJ

Weight 106.9 g

Environmental requirements

Surrounding air temperature (operation) -20 ... 85 °C

Commercial data

Product Group 6 (Interface Electronics)

PU (SPU) 5 (1) Stück

Packaging type box

Country of origin DE

GTIN 4050821001218

Customs tariff number 85366990990

Downloads**Documentation****Bid Text**

289-966	2019. 2. 20.	docx	Download
docx - Datei		15.6 kB	

289-966	2019. 2. 19.	xml	Download
X81 - Datei		4.2 kB	

Instruction Leaflet

	pdf	Download
	1.3 MB	

Additional Information

Disposal; Electrical and electronic equipment, Packaging	V 1.0.0	pdf	Download
		265.8 kB	

CAD/CAE-Data**CAE data**

Subject to changes. Please also observe the further product documentation!

WAGO GmbH & Co. KG

Hansastr. 27

32423 Minden

Phone: +49571 887-0 | Fax: +49571 887-169

Email: info.de@wago.com | Web: www.wago.com

Do you have any questions about our products?

We are always happy to take your call at +49 (571) 887-44222.



WSCAD Universe 289-966

[URL](#)

[Download](#)

Environmental Product Compliance

Compliance Search

Environmental Product Compliance 289-966

[URL](#)

[Download](#)

Interface module; 2xRJ-45; PCB terminal blocks, double-row; in mounting carrier; with shield connection

Installation Notes

Subject to changes. Please also observe the further product documentation!

WAGO GmbH & Co. KG

Hansastr. 27

32423 Minden

Phone: +49571 887-0 | Fax: +49571 887-169

Email: info.de@wago.com | Web: www.wago.com

Do you have any questions about our products?

We are always happy to take your call at +49 (571) 887-44222.