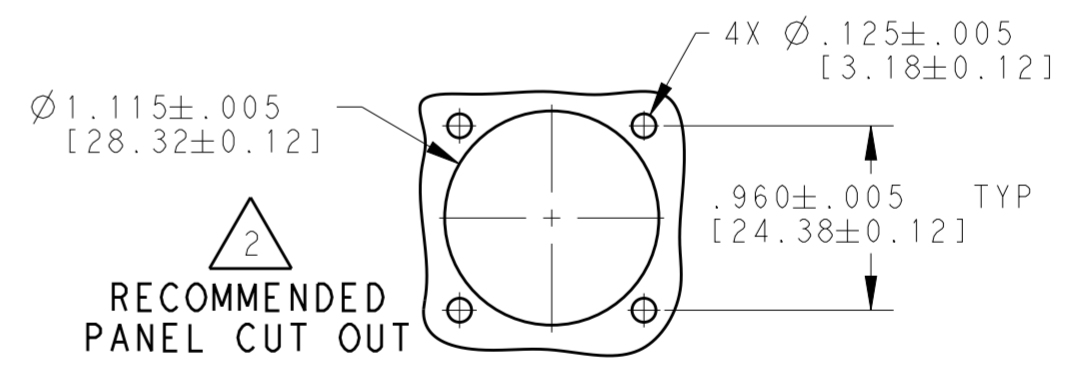
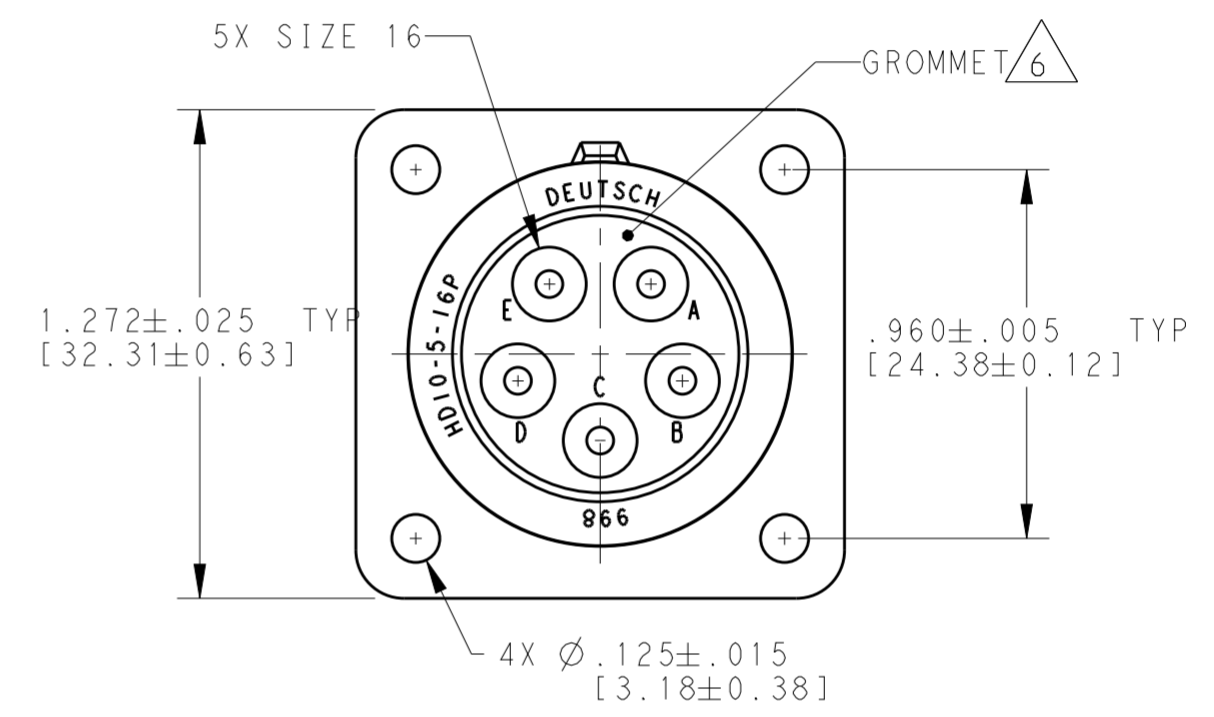
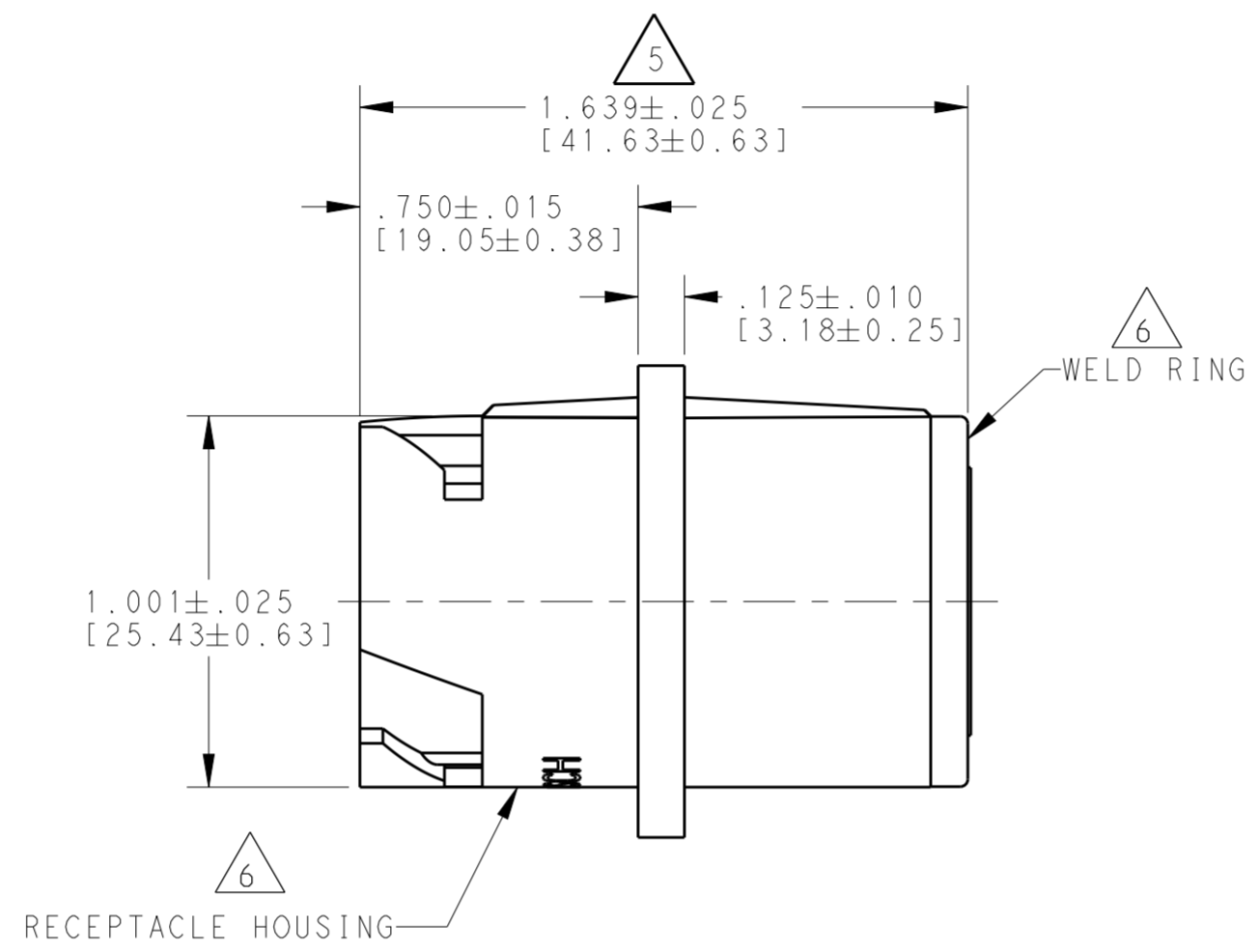
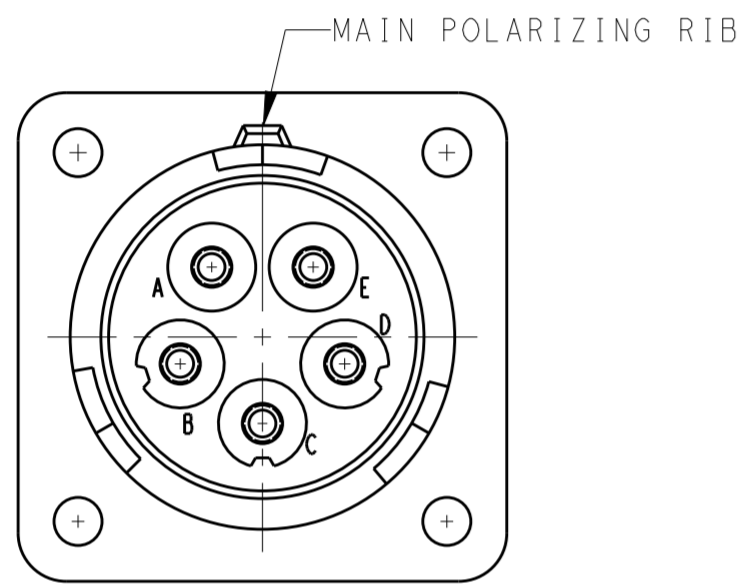
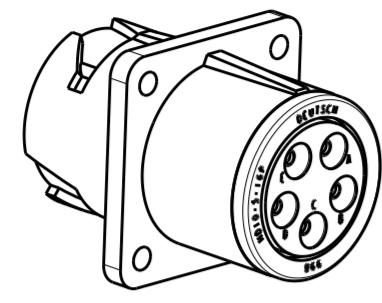


THIS DRAWING IS UNPUBLISHED. RELEASED FOR PUBLICATION 2013
 © COPYRIGHT 2013 BY TE CONNECTIVITY. ALL RIGHTS RESERVED.

LOC	DIST	REVISIONS					
		P	LTR	DESCRIPTION	DATE	DWN	APVD
-	-	F		REVISED PER E.O. P18547	13APR2004	-	RDR
		G		REVISED PER E.O. P20555	21JUL2010	-	RDR
		H		REVISED PER E.O. P21366	4JUL2012	-	RDR
		H1		REVISED PER ECO-14-002953	29JAN2014	PV	DM



- 6 MATERIAL:
 RECEPTACLE HOUSING AND WELD RING: PA 15%GF (GREY)
 GROMMET: SILICONE (RED)
- 5 OVERALL DIMENSION DOES NOT INCLUDE RUBBER GROMMET.
- 4 THIS RECEPTACLE MATES WITH FOLLOWING PLUG (X=SEAL TYPE, XXXX = ALL MODIFICATIONS).
 HD16-5-16SX-XXXX
- 3 SEE DRAWING 0425-015-0000 FOR CONTACT AND WIRE PERFORMANCE AND APPLICATION CHARACTERISTICS.
- 2 MAXIMUM PANEL THICKNESS IS .250 [6.35].
- 1. SEE TABLE FOR USABLE WIRE RANGE AND INSULATION RANGE.

CONTACT SIZE	MINIMUM O.D.	MAXIMUM O.D.	WIRE RANGE [mm ²]
16	.100 [2.54]	.150 [3.81]	14-20 AWG [2.0-.50]

NOTES:

THIS DRAWING IS A CONTROLLED DOCUMENT.

DIMENSIONS: [INCHES [mm]]	TOLERANCES UNLESS OTHERWISE SPECIFIED: 0 PLC ±- 1 PLC ± 2 PLC ± 3 PLC ±.025 4 PLC ± ANGLES ±0°30'0" FINISH	DWN J. HAYNES 05OCT1999 CHK I. GRANTCHAROVA 16SEP2013 APVD D. MEYER 18SEP2013	NAME RECEPTACLE CONNECTOR SQUARE FLANGE HD10 SERIES ARR. 5-16 COLOUR: GREY
MATERIAL 6		PRODUCT SPEC - APPLICATION SPEC - WEIGHT 31.95 (g)	SIZE A2 CAGE CODE 00779 DRAWING NO. C-HD10-5-16P RESTRICTED TO -
Customer Drawing		SCALE 2:1	SHEET 1 OF 1 REV H1

STE TE Connectivity