

TVS / DATA SHEET

- ◇ Low Clamping Voltage of Transient Voltage Suppressor
- ◇ ESD Protection, IEC61000-4-2 Level 4
- ◇ SOD323F Thin SMD package (Fig-1)
- ◇ RoHS compliant
- ◇ UL-94 V-0 / Green EMC
- ◇ Matte Tin Lead finish(Pb-Free)
- ◇ Moisture Level Sensitivity 1
- ◇ Cathode Band / Device marking (Fig-1)

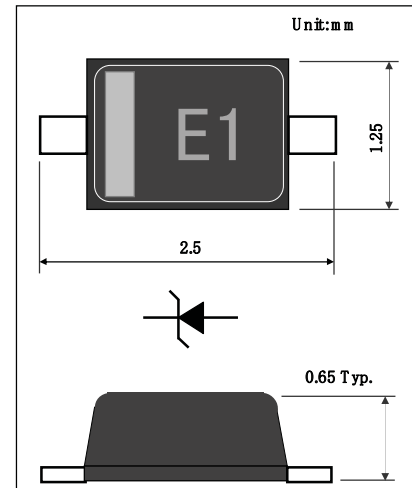


Fig-1 Package SOD323F

Maximum Ratings ($T_a = 25\text{ }^\circ\text{C}$)

Symbol	Parameter	Value	Units
P_{PK}	Peak Power Dissipation	92	W
I_{PP*1}	Maximum Reverse Peak Pulse Current	7.5	A
$V_{ESD\text{Air}}$	ESD Voltage IEC61000-4-2 Air	± 30	kV
$V_{ESD\text{contact}}$	ESD Voltage IEC61000-4-2 Contact	± 30	kV
T_J	Junction Temperature	150	$^\circ\text{C}$
T_L	Lead Temperature	260	$^\circ\text{C}$
T_{STG}	Storage Temperature	-55 to +150	$^\circ\text{C}$
P_D	Power Dissipation	150	mW

*1 $t_p = 8/20\mu\text{s}$

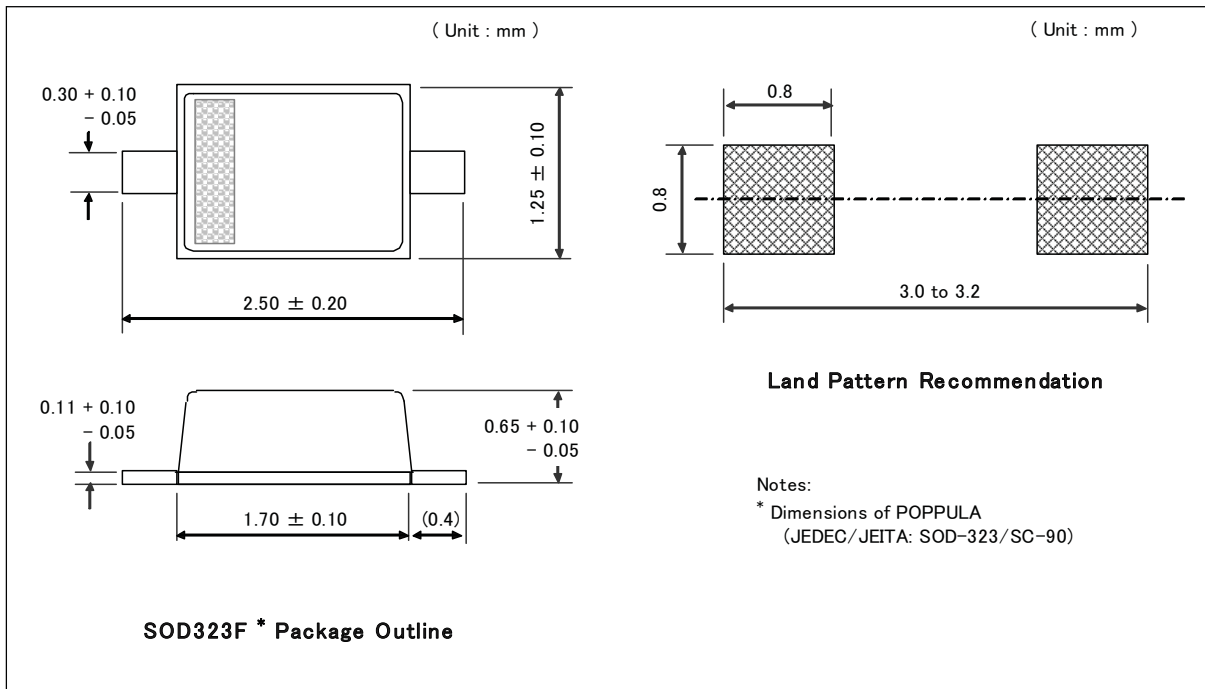
Electrical Characteristics

Symbol	Parameter	Conditions	Min	Typ	Max	Units
V_{RWM}	Reverse WorkingPeak Voltage	-			5.0	V
V_{BR}	ReverseBreakdown Voltage	$I_T = 1\text{mA}$	6.2			V
I_R	Reverse Current	$V_{RWM} = 5\text{V}$			1.0	μA
V_F	Forward Voltage	$I_F = 10\text{mA}$			0.9	V
V_C	Clamping Voltage	$I_{PP\text{MAX}}, t_p = 8/20\mu\text{s}$			12.3	V
C_D	DiodeCapacitance	$V_R = 0\text{V}, f = 1\text{MHz}$		40		pF

Ordering Information

Device	Package	Shipping	Tape wide	Emboss pitch	Tape specification	Notes
ESD5.0XM3	SOD323F	3,000 pcs / 7" Reel	8 mm	4 mm	Conductive	

Package Dimensions



DISCLAIMER NOTICE

Rectron Inc reserves the right to make changes without notice to any product specification herein, to make corrections, modifications, enhancements or other changes. Rectron Inc or anyone on its behalf assumes no responsibility or liability for any errors or inaccuracies. Data sheet specifications and its information contained are intended to provide a product description only. "Typical" parameters which may be included on RECTRON data sheets and/ or specifications can and do vary in different applications and actual performance may vary over time. Rectron Inc does not assume any liability arising out of the application or use of any product or circuit.

Rectron products are not designed, intended or authorized for use in medical, life-saving implant or other applications intended for life-sustaining or other related applications where a failure or malfunction of component or circuitry may directly or indirectly cause injury or threaten a life without expressed written approval of Rectron Inc. Customers using or selling Rectron components for use in such applications do so at their own risk and shall agree to fully indemnify Rectron Inc and its subsidiaries harmless against all claims, damages and expenditures.