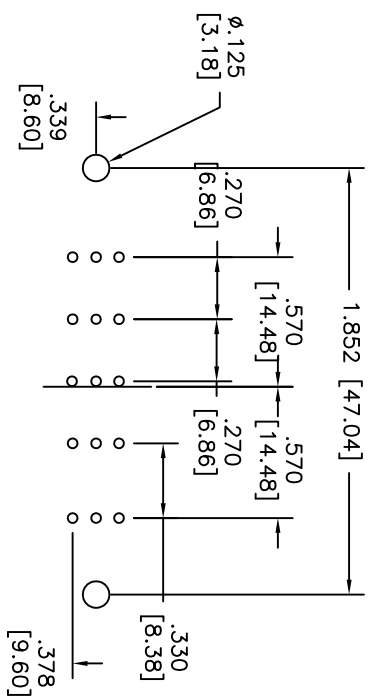
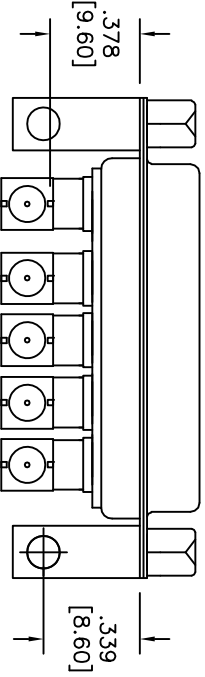
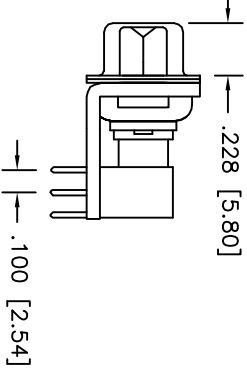
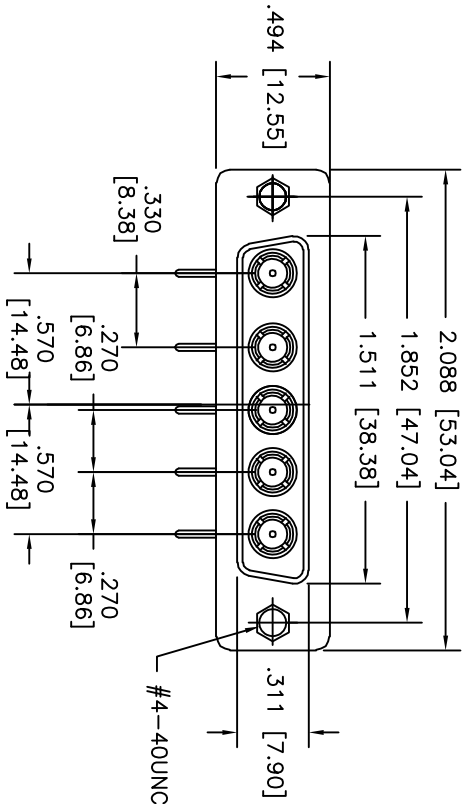


Rev	AWO #	Description	Date	Appr
-		RELEASED	3/16/11	

APPROVED: _____
 DATE: _____ TITLE: _____



SPECIFICATIONS:

- Material:**
 Insulator: PBT, glass reinforced, rated UL 94V-0
 Insulator color: Black
 Coax Insulator: Teflon
 Coax Contact: Brass, Gold plated
 Signal Contact: Brass, Gold plated
 Metal Bracket: Steel, Nickel plated
 Boardlock: Brass, Nickel plated
 Screw: Brass, Nickel plated

- Plating:**
 Gold over Nickel underplate overall
- Electrical:**
 Signal contact: 5 Amp max
 Coax Impedance: 50 Ohms
 Contact resistance: 10 mohms max
 Insulation resistance: 5,000 Mohms min
 Dielectric withstanding voltage: 1,000 VAC for 1 minute

- Environmental:**
 Operating temperature: -55°C to +125°C
 Lead free, RoHS compliant
 Recommended soldering temp: 235°C for 5 seconds

ADAM TECH

909 Rahway Avenue, Union, NJ 07083
 Phone: 908-687-5000 Fax: 908-687-5710

D-SUB CONNECTOR, COAX CONTACT, 50 ohm,
 R/A DIP TYPE, W/ #4-40 SCREWS

UNLESS OTHERWISE SPECIFIED ALL DIMENSIONS ARE INCHES [MM]	
TOLERANCES: EXCEPT AS NOTED	
INCHES	HOLDS
.X ± .10	ØX ± .10
.XX ± .020	ØXX ± .015
.XXX ± .015	ØXXX ± .010
APPROVALS	
DRAWN	DY
CHECKED	
APPROVED	
	3/16/11

SIZE	PART NO.	REV.
X	D5W5-SL-1-2A	-
REF: S00019T	SCALE: NTS	SHEET 1 OF 1

