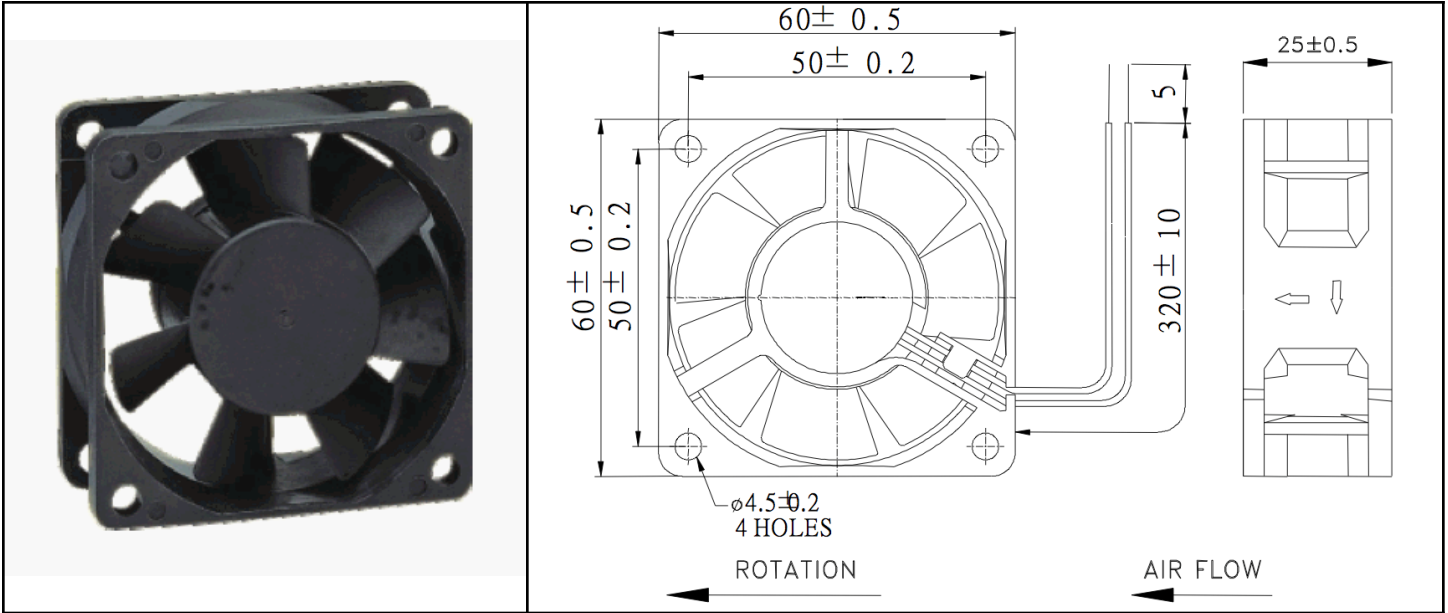


OD6025 Series



DC Fan - 5, 12, 24, 48V
60x25mm (2.36"x 1.0")



Frame & Impeller	PBT, UL94V-O plastic	Available Options: Tachometer Alarm IP55 Life Expectancy (L10) Ball - 60,000 hrs (45C) Sleeve - 30,000 hrs (45C) Operating Temperature Ball: -10 ~ 70C Sleeve: -10 ~ 60C	
Connection	2x Lead wires 24AWG		
Motor	Brushless DC, auto restart, polarity protected		
Bearing System	Ball bearing or Sleeve		
Insulation Resistance	10M ohm between leadwire and frame (500VDC)		
Dielectric Strength	1 second at 500 VAC, max leakage - 500 MicroAmp		

Model Number	Speed (RPM)	Airflow (CFM)	Noise (dB)	Volts DC	Input Power (Watts)	Amps	Max. Static Pressure (\"H2O)
OD6025-05H *	4500	24	33	5	2.2	0.45	0.20
OD6025-05M *	3500	18	27	5	1.6	0.32	0.11
OD6025-05L *	2500	13	18	5	0.7	0.15	0.07
OD6025-12HH *	5100	28	38	12	3.1	0.25	0.24
OD6025-12H *	4500	24	33	12	2.8	0.23	0.20
OD6025-12M *	3500	18	27	12	1.7	0.14	0.11
OD6025-12L *	2500	13	18	12	1.0	0.08	0.07
OD6025-24HH *	5100	28	38	24	3.9	0.16	0.24
OD6025-24H *	4500	24	33	24	3.5	0.15	0.20
OD6025-24M *	3500	18	27	24	1.9	0.08	0.11
OD6025-24L *	2500	13	18	24	1.0	0.06	0.07
OD6025-48H *	4200	28	30	48	3.4	0.07	0.24

* Indicate "B" for ball bearing or "S" for sleeve bearing