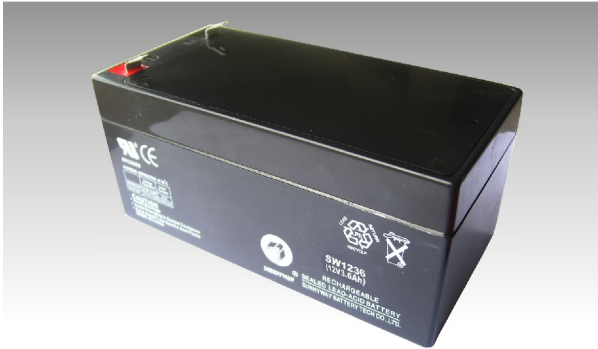




## SW1236(12V 3.6 AH)



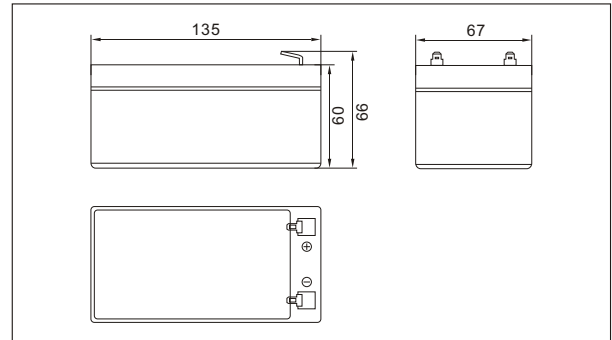
### Specifications

|                               |              |                      |
|-------------------------------|--------------|----------------------|
| Nominal Voltage               |              | 12V                  |
| Rated capacity (20 hour rate) |              | 3.6 Ah               |
| Dimensions                    | Total Height | 66 mm (2.60 inches)  |
|                               | Height       | 60 mm (2.36 inches)  |
|                               | Length       | 135 mm (5.32 inches) |
|                               | Width        | 67 mm (2.64 inches)  |
| Weight Approx                 |              | 1.31 Kg (2.9 lbs)    |

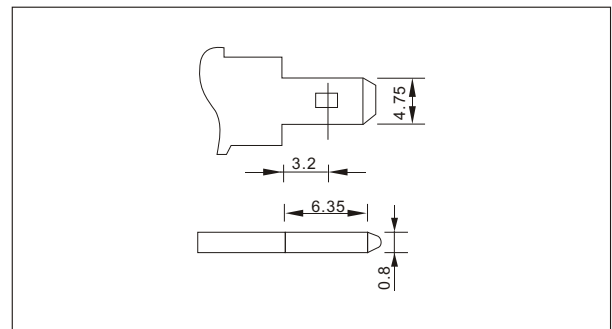
### Characteristics

|   |                                    |   |
|---|------------------------------------|---|
| Capacity<br>25°C(77°F)                                  | 20 hour rate(0.18 A)               | 3.60 AH   |
|   | 10 hour rate(0.33 A)               | 3.31AH  |
|   | 5 hour rate(0.60A)                 | 3.06AH  |
|   | 1 hour rate(2.16A)                 | 2.16AH  |
|   | 1.5 hour discharge to 10.5V        | 1.54 A  |
| Internal Resistance                                     | Full charged Battery at 25°C(77°F) | 37 mΩ   |
| Capacity<br>affected<br>by Temperature<br>(20hour rate) | 40°C(104°F)                        | 102%  |
|   | 25°C(77°F)                         | 100%  |
|   | 0°C(32°F)                          | 85%   |
|   | -15°C(5°F)                         | 65%   |
| Self-Discharge<br>at 25°C(77°F)                         | Capacity after 3 month storage     | 91%   |
|   | Capacity after 6 month storage     | 82%   |
|   | Capacity after 12 month storage    | 64%   |
| Terminal  |                                    | T1  |
| Charge<br>(constant<br>Voltage)                         | Cycle                              | Initial Charging Current less than 1.44 A<br>Voltage 14.40-14.70V |
|   | Float                              | Voltage 13.50-13.80V  |

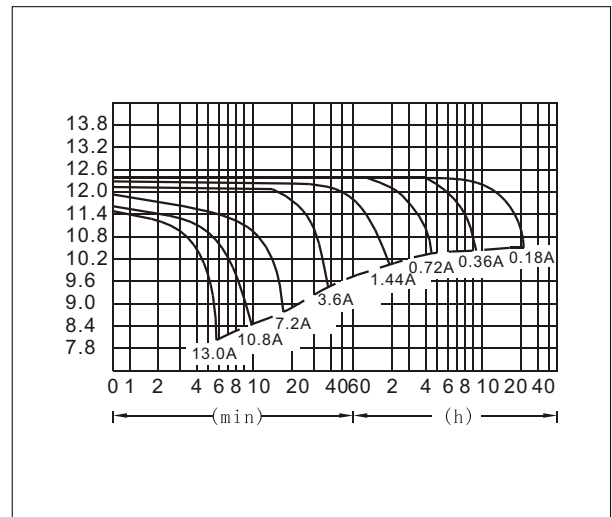
### Outer dimensions (mm)



### Terminal Type (mm)



### Discharge Curves 25°C(77°F)



**Constant Current(Amp) and Constant Power(Watt) Discharge Table at 25°C(77°F)**

| Time   |   | 5min | 10min | 15min | 30min | 1h    | 2h    | 3h    | 4h   | 5h   | 8h   | 10h  | 20h  |
|--------|---|------|-------|-------|-------|-------|-------|-------|------|------|------|------|------|
| 9.60V  | A | 13.0 | 8.50  | 6.30  | 4.14  | 2.16  | 1.26  | 0.93  | 0.74 | 0.63 | 0.42 | 0.34 | 0.19 |
|        | W | 135  | 91    | 68    | 45    | 23.40 | 13.83 | 10.32 | 8.37 | 7.19 | 4.79 | 3.93 | 2.16 |
| 10.20V | A | 11.9 | 8.13  | 5.79  | 3.93  | 2.03  | 1.21  | 0.90  | 0.72 | 0.62 | 0.41 | 0.33 | 0.18 |
|        | W | 128  | 91    | 65    | 44    | 22.95 | 13.94 | 10.43 | 8.37 | 7.22 | 4.79 | 3.93 | 2.13 |
| 10.50V | A | 10.8 | 7.60  | 5.40  | 3.81  | 1.96  | 1.19  | 0.88  | 0.68 | 0.62 | 0.41 | 0.33 | 0.18 |
|        | W | 119  | 86    | 62    | 44    | 22.65 | 13.74 | 10.31 | 8.01 | 7.17 | 4.77 | 3.92 | 2.13 |
| 10.80V | A | 10.4 | 7.26  | 5.04  | 3.71  | 1.90  | 1.15  | 0.87  | 0.67 | 0.59 | 0.39 | 0.32 | 0.18 |
|        | W | 117  | 84    | 58    | 43    | 22.05 | 13.53 | 10.26 | 7.94 | 6.92 | 4.68 | 3.84 | 2.09 |
| 11.10V | A | 9.6  | 6.84  | 4.68  | 3.60  | 1.83  | 1.13  | 0.83  | 0.66 | 0.56 | 0.38 | 0.32 | 0.17 |
|        | W | 109  | 79    | 54    | 42    | 21.45 | 13.31 | 9.80  | 7.86 | 6.68 | 4.61 | 3.81 | 2.07 |