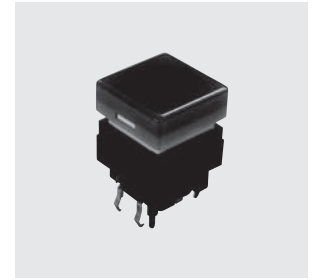


15EL



Illuminated Pushbutton Switches

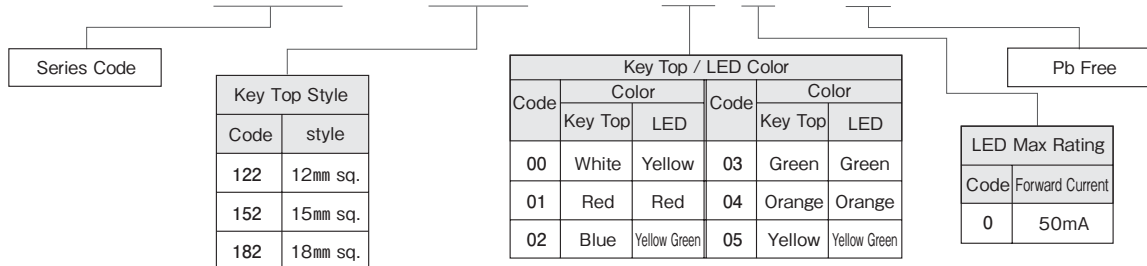
RoHS Compliant

Specification

Rating	Non-switching : 1mA, DC20V Max.or 5mA,DC5V Max. Break current : Same as Non-switching Min. rating : 1mA, DC5V
Contact Resistance	200Ω Max.
Dielectric Strength	100MΩ Min. (DC100V)
Insulation Resistance	AC250Vrms 1minute
Operating Force	1.18~1.96N
Stroke	1.6±0.3mm
Operating Temperature Range	-10°C~+60°C
Storage Temperature Range	-25°C~+70°C
Electrical Life	500,000 operations
Material/Finish	Clear cover,Key top:Polycarbonate Housing,Case:GF-PBT Contact terminals:Phosphor bronze/Gold over Nickel plating LED terminal:Phosphor bronze/Gold over Nickel plating

Part Numbering

15EL - 182 - 0 01 0 - E



Type and LED Specification

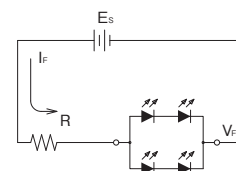
Part No.	Key Top	LED	LED Characteristics					
			Max. Rating (25°C)		Forward Voltage (V _F)		Recommended Forward Current	Ambient Temperature and Allowable Forward Current
			Reverse Voltage (V _R)	Forward Current (I _F)	Standard	Max		
15EL-***-0000-X	White	Yellow	10V	50mA	4.2V	5.2V	40mA	
15EL-***-0010-X	Red	Red			4.0V			
15EL-***-0020-X	Blue	Yellow Green			4.0V			
15EL-***-0030-X	Green	Green			4.4V			
15EL-***-0040-X	Orange	Orange						
15EL-***-0050-X	Yellow	Yellow Green						

(Note 1) *** designate Key Top Style ("122" = 12mm sq., "152" = 15mm sq., "182" = 18mm sq.) .

(Note 2) The LED Characteristics show those across the LED output terminals. (Across Terminals 5 and 6)

Precautions

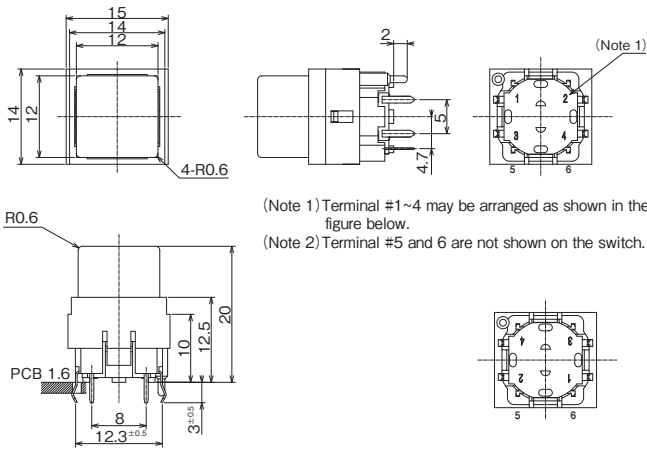
- To prevent overcurrent of LED, connect a protective resistance (R) in series.
- R: Protective resistance ES: Supply voltage
VF: Forward voltage of LED IF: Forward current of LED



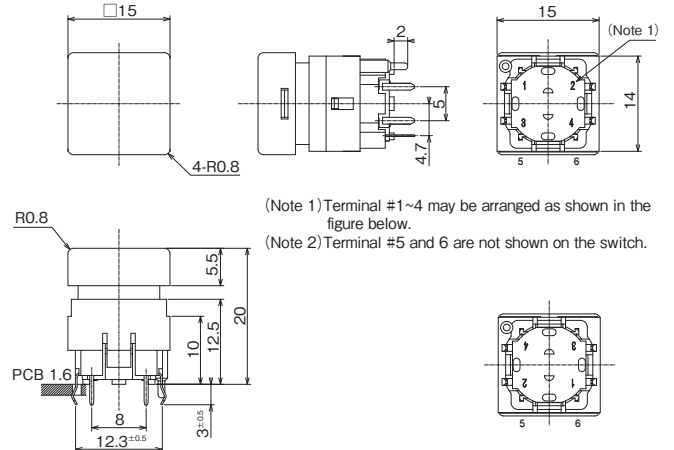
$$R = \frac{E_s - V_F}{I_F}$$

15EL

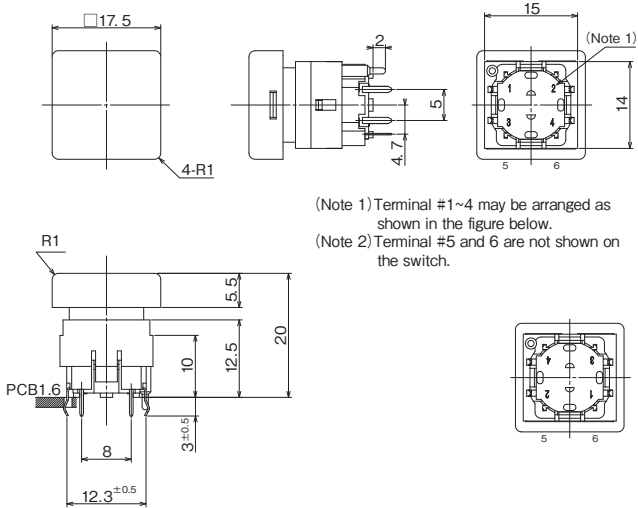
15EL-122 □12 mm Sq. Type



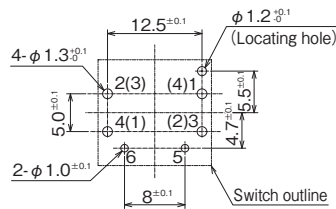
15EL-152 □15 mm Sq. Type



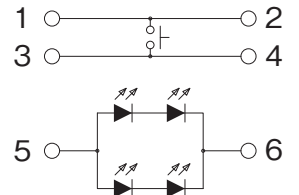
15EL-182 □18 mm Sq. Type



■ PC Hole Layouts



■ Circuit

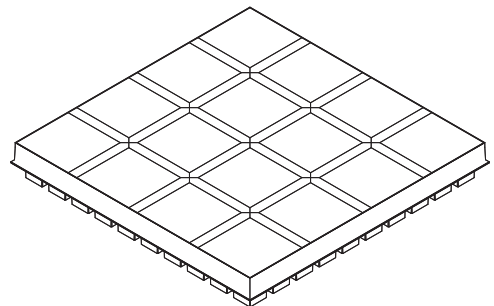


■ Table of Part Numbers

Part No.	Key Top Style	Key Top Color	LED Color	MOQ
15EL-122-0000-E	□12mm sq.	White	Yellow	100
15EL-122-0010-E		Red	Red	
15EL-122-0020-E		Blue	Yellow Green	
15EL-122-0030-E		Green	Green	
15EL-122-0040-E		Orange	Orange	
15EL-122-0050-E	Yellow	Yellow Green		
15EL-152-0000-E	□15mm sq.	White	Yellow	
15EL-152-0010-E		Red	Red	
15EL-152-0020-E		Blue	Yellow Green	
15EL-152-0030-E		Green	Green	
15EL-152-0040-E		Orange	Orange	
15EL-152-0050-E	Yellow	Yellow Green		
15EL-182-0000-E	□18mm sq.	White	Yellow	
15EL-182-0010-E		Red	Red	
15EL-182-0020-E		Blue	Yellow Green	
15EL-182-0030-E		Green	Green	
15EL-182-0040-E		Orange	Orange	
15EL-182-0050-E	Yellow	Yellow Green		

■ Packaging Specifications

30pcs/tray



■ Soldering

- Hand soldering
 Device : Solder iron
 350°C Max. 3sec. Max.
- Auto soldering
 Device : Jet wave or dip type
 260°C Max. 10sec. Max. : Twice