



2017-V1.0-0715

Specifications

Constant Current LED Power Supplies

LNS-30C Series, 30W

PAIRUI ELECTRONICS

No. 545 Museum Road
Yangzhou, Jiangsu
China 225009

Tel: 86 (514) 8279 1592

Fax: 86 (514) 8769 3159

2017

LED Power Supplies for Indoor Use

LNS-30C SERIES, 30WATT, IP30 RATING

Features

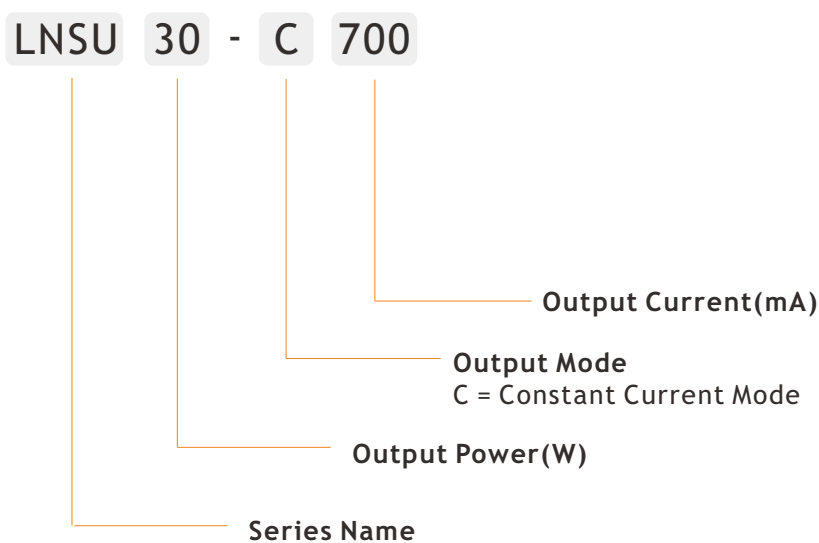
- 3 Year Warranty
- Input Voltage Range: 120~277Vac
- Constant Current Output Mode
- 0-10V Dimming
- Built-in Active Power Factor Correction
- Class II Power, no FG
- Short Circuit, and Over Temperature Protections



Applications

- ✓ Panel Light
- ✓ Down Light
- ✓ Recessed Light
- ✓ Cabinet Light
- ✓ Other Indoor used Lights

Electrical



Electrical

Part Number	Nominal Input Voltage	Output Current Output Voltage	Ripple	Efficiency	Certificate
LNSU30-C350	120-277Vac	350mA(30-42V)	6%	85%	
LNSU30-C500	120-277Vac	500mA(30-42V)	6%	85%	UL
LNSU30-C540	120-277Vac	540mA(28-42V)	6%	85%	
LNSU30-C700	120-277Vac	700mA(30-42V)	6%	85%	UL
LNSU30-C750	120-277Vac	750mA(30-42V)	6%	85%	
LNSU30-C800	120-277Vac	800mA(24-36V)	6%	85%	
LNSU30-C850	120-277Vac	850mA(24-36V)	6%	85%	
LNSU30-C1000	120-277Vac	1000mA(20-30V)	6%	85%	

NOTE: Other output models are may available on request.

INPUT

PARAMETER	CONDITIONS	MIN	TYP	MAX	UNITS
Input frequency		47		63	Hz
Input current (Full load, Vin=120Vac)	LNSU30-C350			0.2	A
	LNSU30-C500			0.3	A
	LNSU30-C540			0.3	A
	LNSU30-C700			0.35	A
	LNSU30-C750			0.35	A
	LNSU30-C800			0.35	A
	LNSU30-C850			0.4	A
	LNSU30-C1000			0.4	A
Inrush current	Cold start, Vin=277Vac			28	A
Leakage current	Vin=120Vac			1.5	mA
Power factor(PF)	Full load, Vin=120Vac	0.9			
THD	Output load≥60%			20	%

OUTPUT

PARAMETER	CONDITIONS	MIN	TYP	MAX	UNITS
Output current regulation			±5		%
Output dimming range		10		100	%
Start time	Vin=230Vac at rated load			1000	ms
Ripple			6%Io		mAp-p

Protection

Short circuit	Current limit protection
No load voltage	Vo max. ~ 110%Vo max.
Over power	The driver always works within a safe working area power curve
Over temperature	Yes
No load protection	Yes
Input transient protection	Power supply shall comply with IEEE C.62.41-1991, Class A operation. The line transient shall consist of seven strikes of a 100 kHz ring wave, 2.5kV level for both common mode and differential mode.

Environment

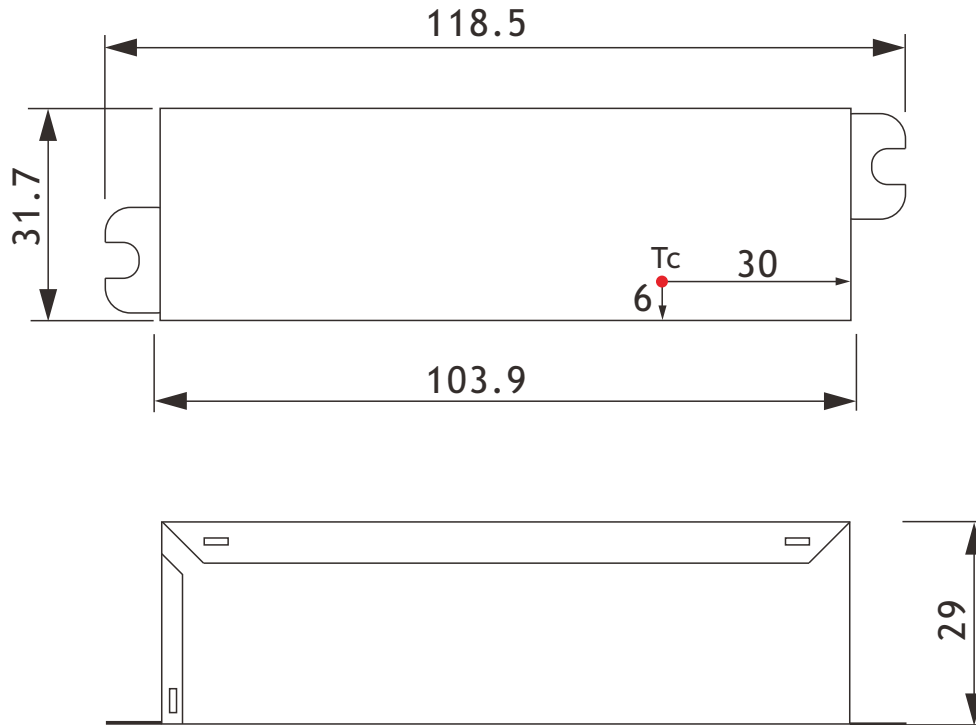
PARAMETER	CONDITIONS	MIN	TYP	MAX	UNITS
Operating temperature	Startup at rated voltage	-30		+50	°C
Operating relative humidity	Non condensing	20		95	%
Storage temperature	Humidity 10 ~ 95% RH	-40		+80	°C
MTBF	Calculated to MIL-HDBK217F at 25 DEG C. rated load	200			Khrs
Life rating	Measured at 120/277VAC, full load, 80°C	50			Khrs
Maximum case temperature	85°C				
Temperature coefficient	±0.03%/°C(0~50°C)				
Application	For dry and damp location				
Dimming type	0-10V dimming				
Dimming range	10%~100%				
0-10V dimming interface current	<2mA				
Dimension(LxWxH)	118.5 x 31.7 x 29.0mm				

Safety/EMC

Safety	Design refer to UL8750 Class 2, UL1310;CSA C22.2 No. 250.13-12
EMC	Compliance to FCC Part 15 Class A, EN 61547/1995+A1/2000

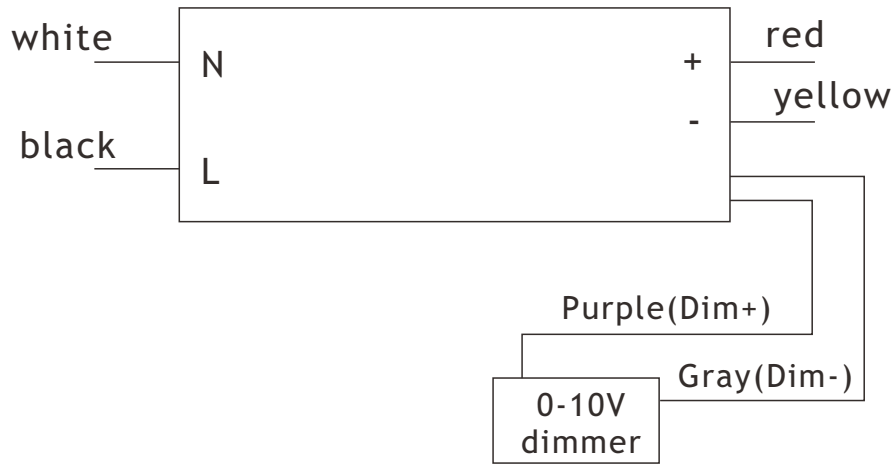
NOTE: Unless otherwise specified, all the above parameters are measured at ambient temperature of 25°C and Vin=120/277Vac.

Mechanical

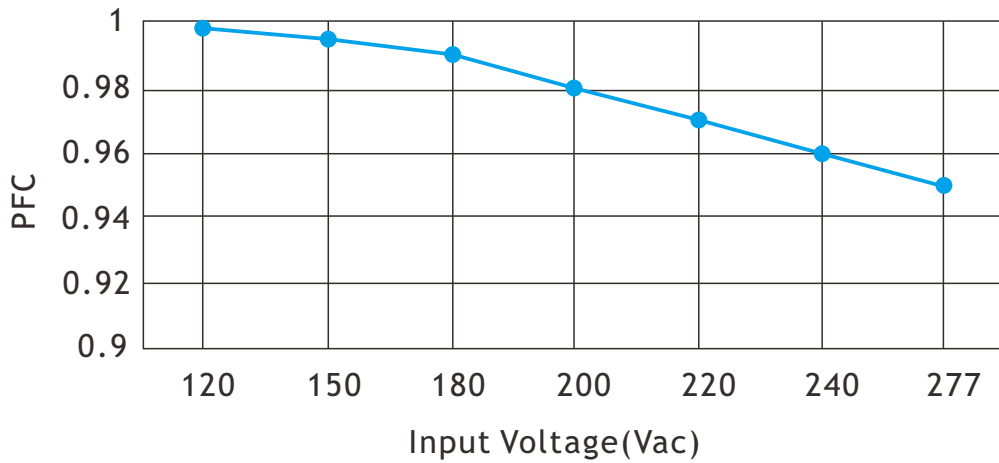


Unit: mm

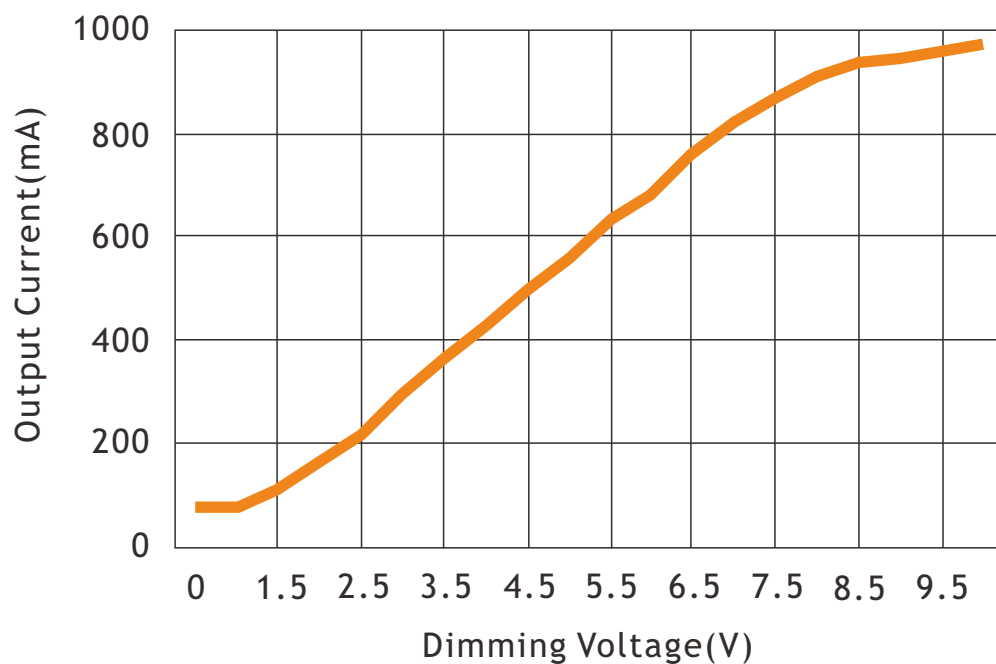
Wire Connection



Electrical Curve



Dimming



Recommended Dimmer List:

Brand	Model No.
EASEIC	EID110U
LEVITON	AWSMT716

