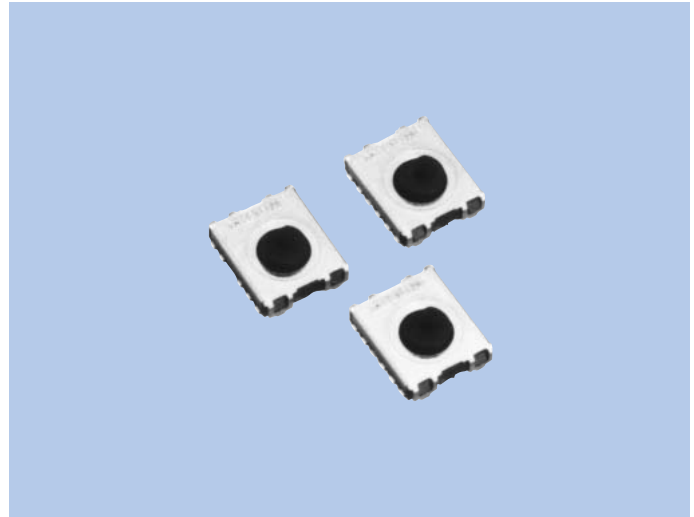


# Rotary Switches SRM Series

## FEATURES

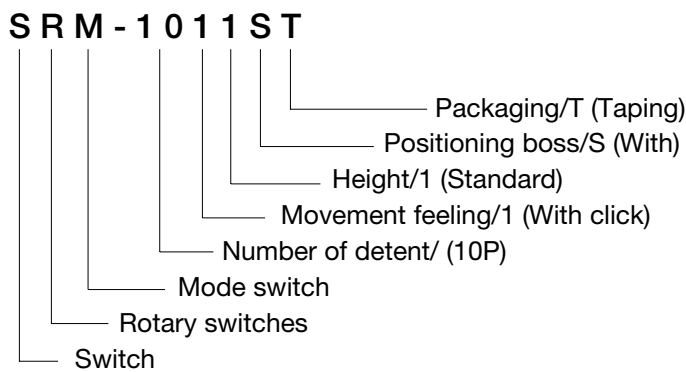
1. Small size (7x6mm) and small mounting area.
2. Supports SMT. (supports re-flow soldering)
3. 10 detents available as standard.
4. Realizes thin profile, with height including operating knobs only 2.5mm when in set.



## USES

1. Mode selection switch for digital cameras, digital video cameras and other AV equipment.

## MODEL NAME CODE



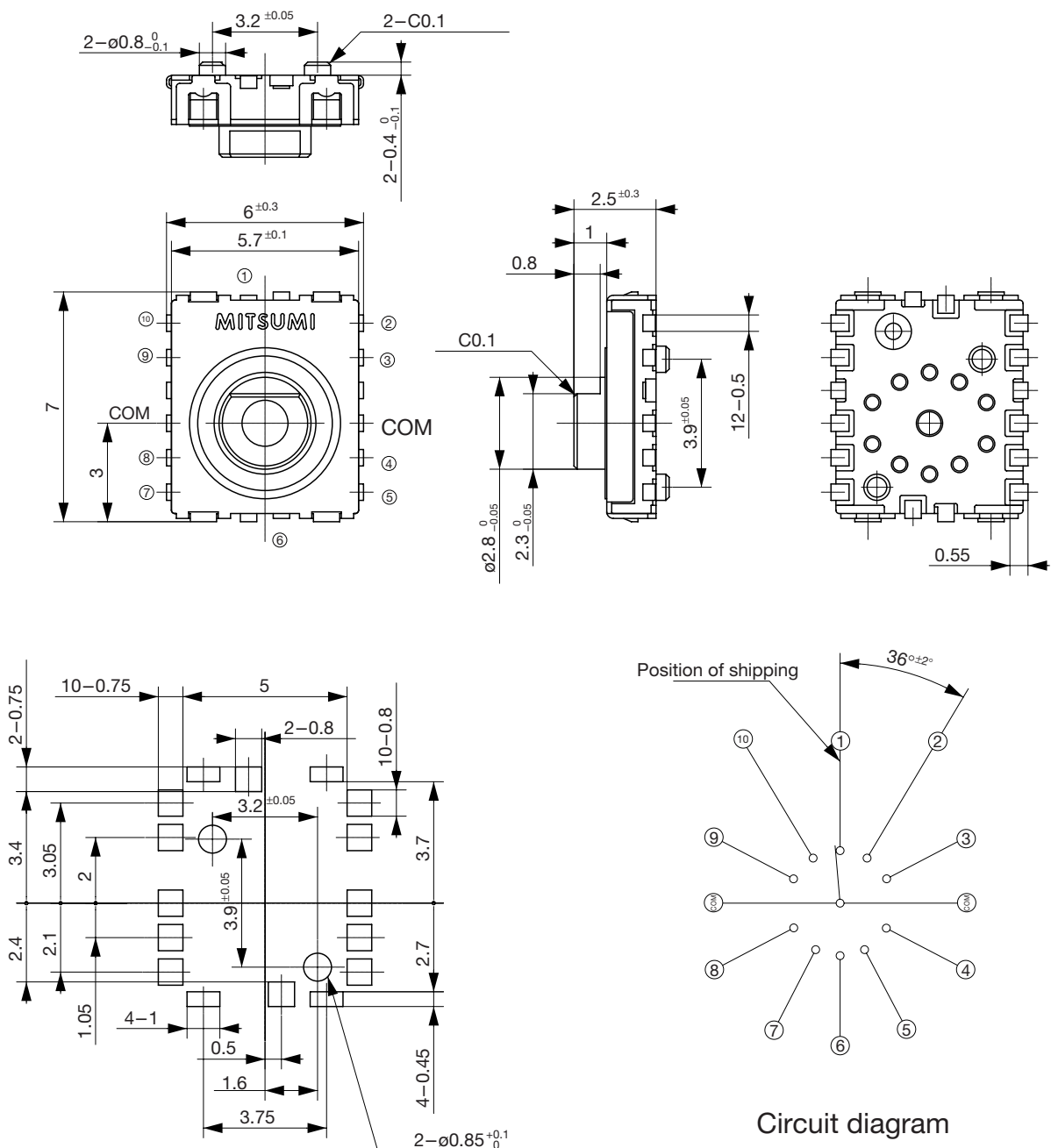
## TYPE

Model Name Code	Order Number	No. of Detent	Rotational Torque	Pcs
SRM-1011ST	R66 6312	10	15mN · m or less	3000

## SPECIFICATIONS

Electrical Characteristics	Rating	10mA, 5V DC
	Contact Resistance	1Ω or less
	Insulation Resistance	10MΩ or more
	Withstand Voltage	1 minute at 50V AC
Mechanical Characteristics	Rotational Torque	15mN · m or less

## DIMENSIONS



Printed writing board land dimensions  
(When viewd from switch mounting side)

Unit : mm  
Tolerance : ±0.3mm