

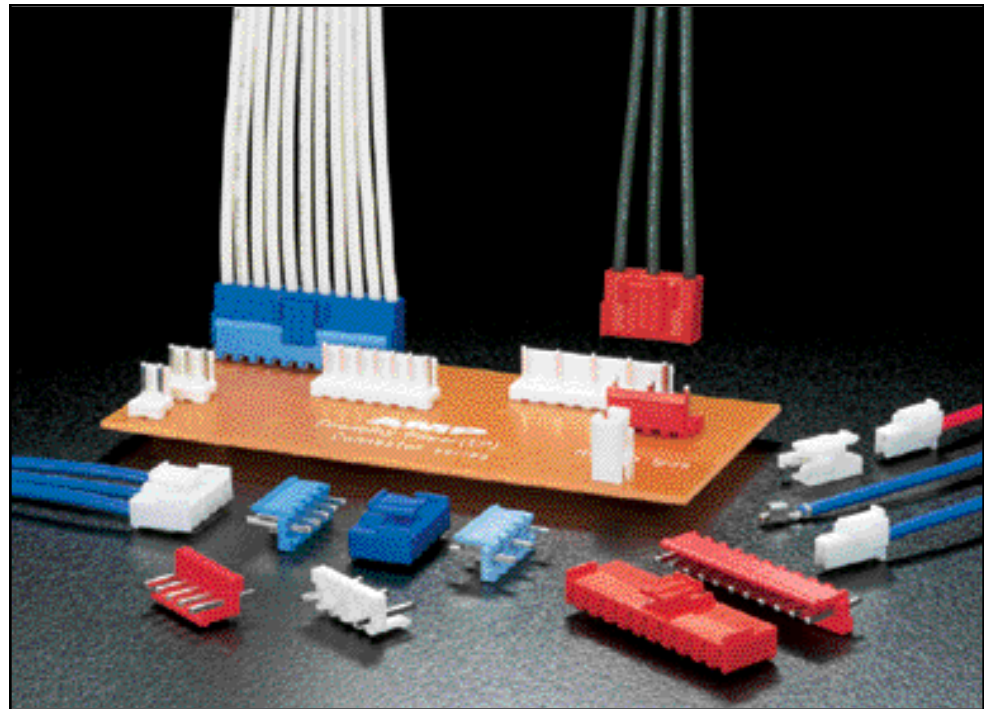
#### Product Facts

- .156 [3.96] and .312 [7.92] centerline
- Wire-to-board connectors comprised of plug housings, receptacle contacts for discrete wire, and mating post headers
- Hooded contact designed to accept wire with insulation diameters up to .118 [3.00]
- Positive locking feature built into header back wall
- Locking mechanism on connector housing maximizes retention
- Number of positions: 1 to 11 for .156 [3.96] centerline; 2 to 5 for .312 [7.92] centerline
- Vertical, through-hole headers
- Positive latch design for easier mating and unmating
- Polarization tabs help prevent post misalignment and mismatching
- Low-profile mating height of .641 [16.3] for 2 to 11 positions
- Vertical headers are end-to-end stackable to conserve PCB space
- Header packaging: bulk pack and tube loaded
- Plug housings and post headers intermateable with JST VH connectors
- Recognized under the Component Program of Underwriters Laboratories Inc., File No. E28476
- Certified by the Canadian Standards Association, File No. LR7189



#### Applications

- Household appliances, garage door openers, power supplies, power connections, or other areas requiring additional connector retention



AMP Economy Power (EP) Connectors are designed for secondary power circuit applications. They consist of wire-to-pc board plug housings (for receptacle contacts) and mating post headers. Two contact centerline spacings are available: .156 [3.96] and .312 [7.92].

During mating, the positive locking lever on the outside of the plug housing engages the mating header housing to provide for greater retention. This helps maintain reliable connections, when other non-locking type connectors could vibrate apart. This same locking lever must be depressed to unmate the connectors.

The locking mechanism is also located high enough to help avoid interference with pc board clear plastic coating (potting), which is a common treatment for many home appliances.

Headers with .156 [3.96] centerline are offered in 2 through 11 positions; .312 [7.92] centerline are available in 2 through 5 positions. Both versions are provided in bulk pack or in tubes for automatic machines.

The slim, vertical, post headers are stackable end-to-end for greater flexibility when designing pc board configurations.

The mating height of a low-profile plug and vertical header is .642 [16.3]; even the 1-position high-profile style measures only .732 [18.6] above the pc board. Compact dimensions like these are well suited for most applications in confined spaces.

#### Performance Characteristics

**Voltage Rating** – 250 VAC

**Current Rating** – 7.5 amp max. (2 to 11 pos.), 8 amp max. (1 pos.)

**Low Level Overall Resistance** – Initial — 10 mΩ max.

Final — 20 mΩ max.

**Dielectric Withstanding Voltage** – 1.5 kV AC, 1 min.

**Insulation Resistance** –

Initial — 1000 MΩ min.

Final — 500 MΩ min.

**Durability** – 50 mating and unmating cycles

**Operating Temperature** – -13°F to +221°F [-25°C to +105°C]

**Wire Size Range** – 18-22 AWG [0.89-0.30 mm<sup>2</sup>]

**Insulation Diameter** – .118 [3.00] max.

#### Technical Documents

##### Product Specification

108-5609

##### Application Specification

114-5253

© 2003 by Tyco Electronics Corporation. All Rights Reserved. AMP, AMP-O-LECTRIC and TYCO are trademarks.

Other products, logos, and company names mentioned herein may be trademarks of their respective owners.

**Contacts and Plug Housings, Low-Profile**

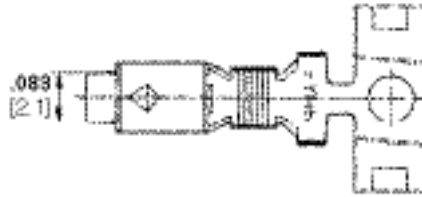
**Crimp, Snap-in  
Receptacle Contacts**

**Material and Finish**

See chart.

**Related Product Data**

**Plug Housings**—Pages 2 and 4



| Wire Size Range | Wire Insulation Diameter | Material and Finish | Part Number (Strip Form) | Applicator Part Number                           |  |                           |
|-----------------|--------------------------|---------------------|--------------------------|--|--|---------------------------|
|                 |                          |                     |                          | AMPOMATORCLS IV+ Lead Maker Base Part No. 356500 | AMP-O-LECTRIC Terminator Model K Part No. 1-471273-3 | Model G Part No. 354500-1 |
| 18-22           | 0.89-0.30                | Phos. Brz., Pre-Tin | 1123721-1                | 1385286-1  | 1385286-2  | 1385286-3                 |
|                 |                          | Brass, Pre-Tin      | 1123721-2                |  |  |                           |

**Plug Housings**

**Material and Finish**

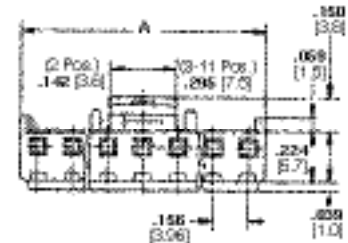
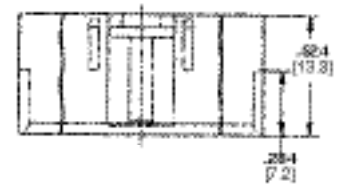
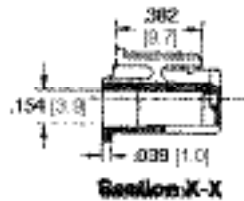
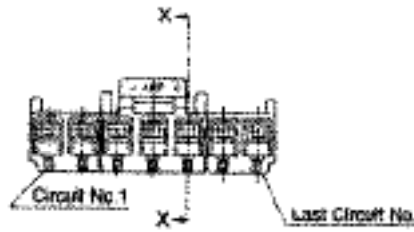
**Housing**—UL 94V-0 rated nylon, natural color

**Note:** Alternate colors available upon request. Minimums may apply. Please contact product engineer or product manager for details.

**Related Product Data**

**Contacts**—see above

**Mating Post Headers**—Page 3



| Number of Positions | Dimension A   | Part Number |
|---------------------|---------------|-------------|
| 2                   | .310 [7.86]   | 1-1123722-2 |
| 3                   | .465 [11.82]  | 1-1123722-3 |
| 4                   | .621 [15.78]  | 1-1123722-4 |
| 5                   | .777 [19.74]  | 1-1123722-5 |
| 6                   | .933 [23.70]  | 1-1123722-6 |
| 7                   | 1.089 [27.66] | 1-1123722-7 |
| 8                   | 1.245 [31.62] | 1-1123722-8 |
| 9                   | 1.401 [35.58] | 1-1123722-9 |
| 10                  | 1.557 [39.54] | 1-1123722-0 |
| 11                  | 1.713 [43.50] | 1-1123722-1 |

**Vertical Post Headers, Low-Profile**

**.156 [3.96] Centerline**

**Material and Finish**

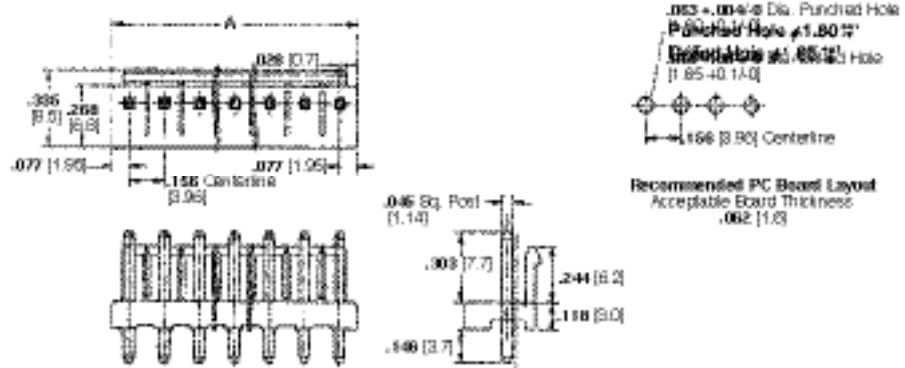
**Housing**—UL 94V-0 rated nylon, natural color

**Note:** Alternate colors available upon request. Minimums may apply. Please contact product engineer or product manager for details.

**Post**—Tin-plated brass

**Related Product Data**

**Mating Plug Housings**—Page 2



| Number of Positions | Dimension A   | Part Number |                             |
|---------------------|---------------|-------------|-----------------------------|
|                     |               | Bulk Pack   | Tube Loaded (Pcs. per Tube) |
| 2                   | .310 [7.86]   | 1-1123723-2 | 1-1318300-2 (61)            |
| 3                   | .465 [11.82]  | 1-1123723-3 | 1-1318300-3 (40)            |
| 4                   | .621 [15.78]  | 1-1123723-4 | 1-1318300-4 (30)            |
| 5                   | .777 [19.74]  | 1-1123723-5 | 1-1318300-5 (24)            |
| 6                   | .933 [23.70]  | 1-1123723-6 | 1-1318300-6 (20)            |
| 7                   | 1.089 [27.66] | 1-1123723-7 | 1-1318300-7 (17)            |
| 8                   | 1.245 [31.62] | 1-1123723-8 | 1-1318300-8 (15)            |
| 9                   | 1.401 [35.58] | 1-1123723-9 | 1-1318300-9 (13)            |
| 10                  | 1.557 [39.54] | 1-1123723-0 | 1-1318300-0 (12)            |
| 11                  | 1.713 [43.50] | 1-1123723-1 | 1-1318300-1 (11)            |

**.312 [7.92] Centerline**

**Material and Finish**

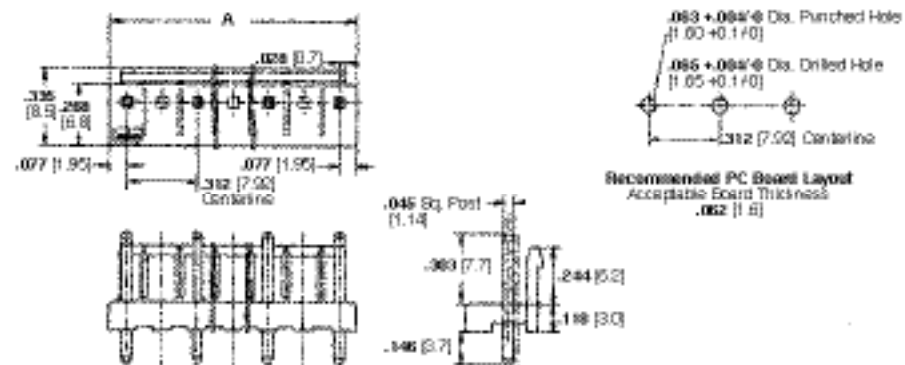
**Housing**—UL 94V-0 rated nylon, natural color

**Note:** Alternate colors available upon request. Minimums may apply. Please contact product engineer or product manager for details.

**Post**—Tin-plated brass

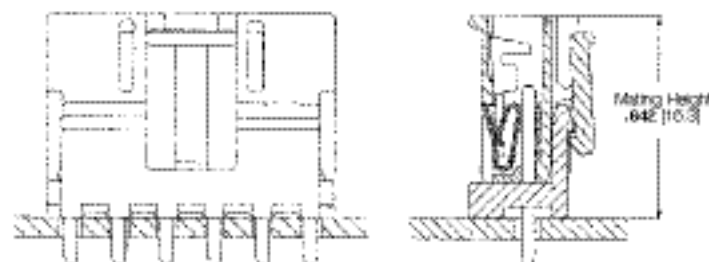
**Related Product Data**

**Mating Plug Housings**—Page 2



| Number of Positions | Dimension A   | Part Number |                             |
|---------------------|---------------|-------------|-----------------------------|
|                     |               | Bulk Pack   | Tube Loaded (Pcs. per Tube) |
| 2                   | .465 [11.82]  | 1-1123724-2 | 1-1318301-2 (40)            |
| 3                   | .777 [19.74]  | 1-1123724-3 | 1-1318301-3 (24)            |
| 4                   | 1.089 [27.66] | 1-1123724-4 | 1-1318301-4 (17)            |
| 5                   | 1.401 [35.58] | 1-1123724-5 | 1-1318301-5 (13)            |

**Mating Height (Low Profile)**



**Plug Housing and Post Header, High Profile**

**1 Position Plug Housing  
Part Number 1-1123823-1**

**Material and Finish**

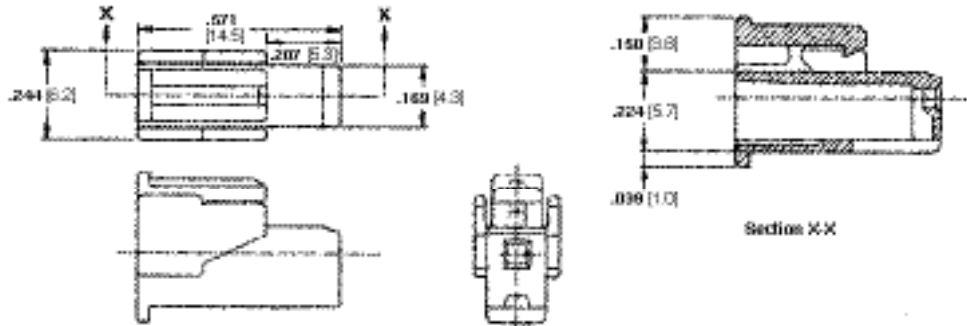
**Housing**—UL 94V-0 rated nylon, natural color

**Note:** Alternate colors available upon request. Minimums may apply. Please contact product engineer or product manager for details.

**Related Product Data**

**Contacts**—Page 2

**Mating Post Header**—See below



**1 Position Post Header, Vertical  
Part Numbers  
1-1123824-1 (Bulk Pack)  
1-1318831-1 (Tube Loaded,  
55 pcs. per Tube)**

**Material and Finish**

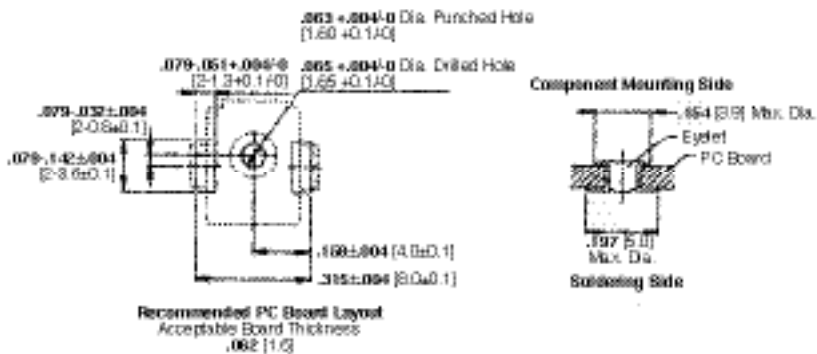
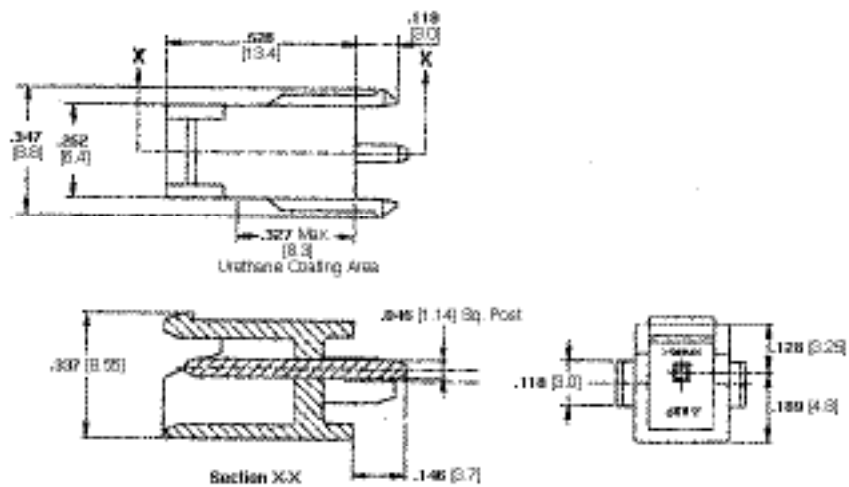
**Housing**—UL 94V-0 rated nylon, natural color

**Note:** Alternate colors available upon request. Minimums may apply. Please contact product engineer or product manager for details.

**Post**—Tin-plated brass

**Related Product Data**

**Mating Plug Housing**—See above



**Mating Height  
(High Profile)**

