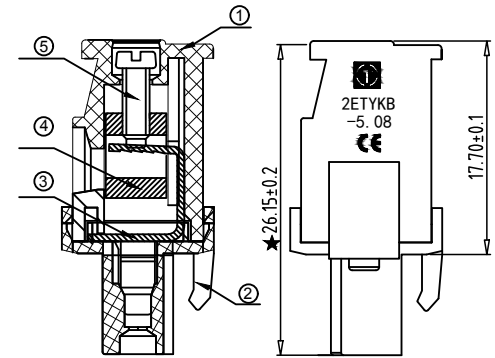
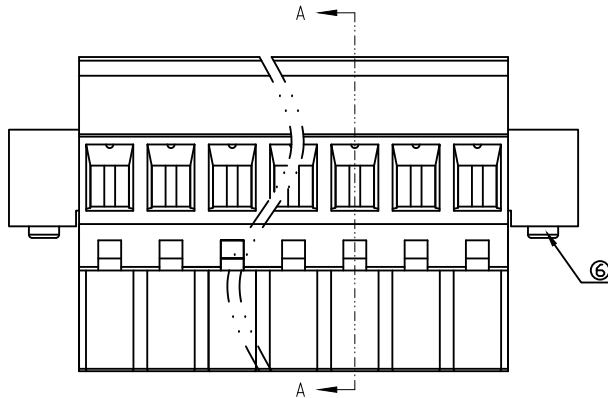
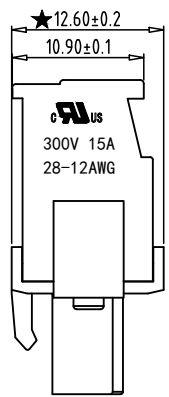


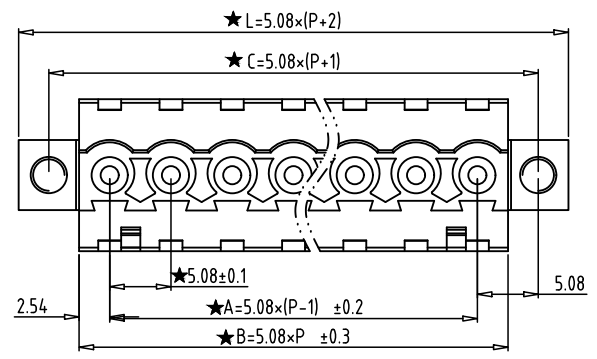
REV	CONTENT	CHK	DATE
VO.0	CONTENT	MYZ	21.07.03

Electrical :

- | | | |
|--|-----------------|--------------------|
| | UL | IEC |
| 1. Rated Voltage : | 300V | 320V |
| 2. Rated Current : | 15A | 18A |
| 3. Torque Value : | M2.5 ,3.54Lb.in | M2.5, 0.4N.m |
| 4. Wire Range : | 28-12AWG | 2.5mm ² |
| 5. Stripping Length : | 7-8mm | |
| 6. Withstanding Voltage : | AC1600V/1Min. | |
| 7. Operating Temperature : | -40°C~+105°C | |
| 8. RoHS Compliance | | |
| 9. Safty Approval : | cULus CE | |
| 10. "★" is the key quality control point | | |



SECTION A-A



- 2ETYKBM - 5.08 - XXP - X X - 100AH
- | | | | | | |
|--------------|---------|--|------------------------------------|--|--|
| ① | ② | ③ | ④ | ⑤ | ⑥ |
| ① Series NO. | ② Pitch | ③ Poles
02 02Contacts
03 03Contacts
... 24 24Contacts | ④ 1 Single Pitch
2 Double Pitch | ⑤ Color: 1 Grey
2 Blue
3 Black
4 Green
5 Orange
6 Red
7 Transparent
8 Yellow
9 White | ⑥ Customer Request: 100--M2.5-Standard |

6	SCREW-SIDE	XX	2	STEEL	Zn Plated
5	SCREW	XX	P	STEEL	Zn Plated
4	BLOCK	XX	P	BRASS	Ni Plated
3	CLAMP	XX	P	BRONZE	Ni Plated
2	COVER	XX	1	PA66 UL94V-0	SEE NOTE
1	HOUSING	XX	1	PA66 UL94V-0	SEE NOTE
ITEM	NAME OF PART		NO. OF PART		Q'TY
DWG.	MYZ	DATE	21.07.03		SIZE A4 UNITS mm
CHK.	DATE		SCALE 1:1		SHEET/OF 1/1
APP.	DATE		NAME 2ETYKBM-5.08-XXP-XX-100AH		DWGNO. XXXX



Total Pitch Tolerances in mm										Nominal dimension range in mm										⊥	=	-	//
over	over	over	over	over	over	over	over	over	over	over	over	over	over	over	over	over	over	over	over	0	100	150	
0	30	53	70	90	115	150	250	350	500	0	30	53	70	90	115	150	200	250	320	0	100	150	
±0.18	±0.20	±0.25	±0.3	±0.35	±0.44	±0.60	±0.70	±0.85	±0.20	±0.25	±0.30	±0.35	±0.44	±0.55	±0.70	±0.80	±0.90	0.2	0.3	0.3	0.2	0.3	0.5