

# MAXIM

## MAX1470 Evaluation Kit

**Evaluates: MAX1470**

### General Description

The MAX1470 evaluation kit (EV kit) allows for a detailed evaluation of the MAX1470 superheterodyne receiver. It enables testing of the device's RF performance and requires no additional support circuitry. The RF input uses a 50Ω matching network and an SMA connector for convenient connection to test equipment. The EV kit can also directly interface to the user's embedded design for easy data decoding.

The MAX1470 EV kit comes in two versions: a 315MHz version and a 433.92MHz version. The passive components are optimized for these frequencies. These components can easily be changed to work at RF frequencies from 250MHz to 500MHz. In addition, the 5kbps data rate can be adjusted from 0kbps to 100kbps by changing two more components.

For easy implementation into the customer's design, the MAX1470 EV kit also features a proven PC board layout, which can be easily duplicated for quicker time to market. The EV kit Gerber files are available for download at [www.maxim-ic.com](http://www.maxim-ic.com).

### Features

- ◆ Proven PC Board Layout (Compact 3cm × 3cm)
- ◆ Proven Components Parts List
- ◆ Multiple Test Points Provided On-Board
- ◆ Available in 315MHz or 433.92MHz Optimized Versions
- ◆ 250MHz to 500MHz\* Adjustable Frequency Range
- ◆ Fully Assembled and Tested
- ◆ Can Operate as a Stand-Alone Receiver with Addition of an Antenna

\*Requires component changes.

### Ordering Information

PART	TEMP RANGE	IC PACKAGE
MAX1470EVKIT-315	-40°C to +85°C	28 TSSOP
MAX1470EVKIT-433	-40°C to +85°C	28 TSSOP

### Component List

DESIGNATION	QTY	DESCRIPTION
C1, C2, C12	3	0.01μF ±10% ceramic capacitors (0603) Murata GRM188R71H103KA01
C3	1	1500pF ±10%, 50V X7R ceramic capacitor (0603) Murata GRM188R71H152KA01
C4	1	0.47μF +80% - 20% ceramic capacitor (0603) Murata GRM188F51C474ZA01
C5	1	470pF ±5% ceramic capacitor (0603) Murata GRM1885C1H471JA01
C6, C10	2	220pF ±5% ceramic capacitors (0603) Murata GRM1885C1H221JA01
C7, C8, C11	3	100pF ±5% ceramic capacitors (0603) Murata GRM1885C1H101JA01
C9 (315MHz)	1	4.7pF ±0.1pF ceramic capacitor (0603) Murata GRM1885C1H4R7BZ01

DESIGNATION	QTY	DESCRIPTION
C9 (433MHz)	1	3.0pF ±0.1pF ceramic capacitor (0603) Murata GRM1885C1H3R0BD01
C13, C16, C18, C19	0	Not installed
C14, C15	2	15pF ±5%, 50V ceramic capacitors (0603) Murata GRM1885C1H150JZ01
C17	0	0.1μF +80% - 20% ceramic capacitor (0603) Murata GRM188R71H103KA01, not installed
F_IN	1	SMA connector edge mount, not installed EFJohnson 142-0701-801
JU1	1	3-pin header Digi-Key S1012-36-ND or equivalent
—	1	Shunt (JU1) Digi-Key S9000-ND or equivalent
JU3, JU4	0	Not installed

# MAX1470 Evaluation Kit

## Component List (continued)

DESIGNATION	QTY	DESCRIPTION
L1 (315MHz)	1	27nH $\pm$ 5% inductor (0603) Murata LQG18HN27NJ00
L1 (433MHz)	1	15nH $\pm$ 5% inductor (0603) Murata LQG18HN15NJ00
L2 (315MHz)	1	120nH $\pm$ 5% inductor (0603) Toko LL1608FSR12J or Murata LQW18ANR12J00
L2 (433MHz)	1	68nH $\pm$ 5% inductor (0603) Toko LL1608FH68J or Murata LQG18HN68NJ00
L3	1	15nH $\pm$ 5% inductor (0603) Murata LQG18HN15NJ00
R1	1	5k $\Omega$ resistor (0603) Any supplier
R2, R4	0	Resistor (0603), not installed
R3	0	270 $\Omega$ resistor (0603), not installed Any supplier
R5	1	10k $\Omega$ resistor (0603) Any supplier
RF_IN	1	SMA connector top mount EFJohnson 142-0701-201

DESIGNATION	QTY	DESCRIPTION
MIX_OUT	0	SMA connector top mount, not installed EFJohnson 142-0701-201
TP1, TP2, TP4-TP8	0	Not installed
3.3V, GND, SHDN, DATA_OUT, TP3	5	Test points Mouser 151-203 or equivalent
Y1 (315MHz)	1	Crystal 4.754687MHz Hong Kong Crystals SSL4754687E03FAFZ8A0 or Crystek 016867
Y1 (433MHz)	1	Crystal 6.6128 MHz Hong Kong Crystals SSL6612813E03FAFZ8A0 or Crystek 016868
Y2	1	10.7MHz ceramic filter Murata SFTLA10M7FA00-B0
U1	1	MAX1470EUI
—	1	MAX1470 EV kit PC board

## Component Suppliers

SUPPLIER	PHONE	FAX
Crystek	800-237-3061	941-561-1025
Hong Kong Crystals	852-2412-0121	852-2498-5908
Murata	800-831-9172	814-238-0490
Toko	408-432-8281	408-943-9790

**Note:** Please indicate that you are using the MAX1470 when contacting these component suppliers.

## Quick Start

The following procedure allows for proper device evaluation.

### Required Test Equipment

- Regulated power supply capable of providing 3.3V
- RF signal generator capable of delivering from -120dBm to 0dBm of output power at the operating frequency, in addition to AM or pulse-modulation capabilities (Agilent E4420B or equivalent)

- Optional ammeter for measuring supply current
- Oscilloscope

## Connections and Setup

This section provides a step-by-step guide to operating the EV kit and testing the device's functionality. Do not turn on the DC power or RF signal generator until all connections are made:

- 1) Connect a DC supply set to 3.3V (through an ammeter, if desired) to the 3.3V and GND terminals on the EV kit. Do not turn on the supply.
- 2) Connect the RF signal generator to the RF\_IN SMA connector. Do not turn on the generator output. Set the generator for an output frequency of 315MHz (or 433.92MHz) at a power level of -100dBm. Set the modulation of the generator to provide a 2kHz, 100% AM-modulated square wave (or a 2kHz pulse-modulated signal).
- 3) Connect the oscilloscope to test point TP3.

# MAX1470 Evaluation Kit

Evaluates: MAX1470

- 4) Turn on the DC supply. The supply current should read approximately 6mA.
- 5) Activate the RF generator's output without modulation. The scope should display a DC voltage that varies from approximately 1.2V to 2.0V as the RF generator amplitude is changed from -115dBm to -50dBm.
- 6) Set the RF generator to -100dBm. Activate the RF generator's modulation and set the scope's coupling to AC. The scope now displays a lowpass-filtered square wave at TP3 (filtered analog baseband data). Use the RF generator's LF OUTPUT (modulation output) to trigger the oscilloscope.
- 7) Monitor the DATA\_OUT terminal and verify the presence of a 2kHz square wave.

### Additional Evaluation

- 1) With the modulation still set to AM, observe the effect of reducing the RF generator's amplitude on the DATA\_OUT terminal output. The error in this sliced digital signal increases with reduced RF signal level. The sensitivity is usually defined as the point at which the error in interpreting the data (by the following embedded circuitry) increases beyond a set limit (BER test).
- 2) With the above settings, a 315MHz-tuned EV kit should display a sensitivity of about -118dBm (1% BER), while a 433.92MHz kit displays a sensitivity of about -114dBm (1% BER). **Note:** The above sensitivity values are given in terms of average carrier power. If true pulse modulation is used instead of AM, then the sensitivity measurement is in terms of peak power, and as a result is reduced by 6dB.

- 3) Use capacitors C5 and C6 to set the corner frequency of the 2nd-order lowpass Sallen-Key data filter. The current values were selected for a corner frequency of 5kHz. Adjusting these values accommodates higher data rates (refer to the MAX1470 data sheet for more details).

### Layout Issues

A properly designed PC board is an essential part of any RF/microwave circuit. On high-frequency inputs and outputs, use controlled-impedance lines and keep them as short as possible to minimize losses and radiation. At high frequencies, trace lengths that are approximately 1/20 the wavelength or longer become antennas. For example, a 2in trace at 315MHz can act as an antenna.

Keeping the traces short also reduces parasitic inductance. Generally, 1in of a PC board trace adds about 20nH of parasitic inductance. The parasitic inductance can have a dramatic effect on the effective inductance. For example, a 0.5in trace connecting a 100nH inductor adds an extra 10nH of inductance, or 10%.

To reduce the parasitic inductance, use wider traces and a solid ground or power plane below the signal traces. Using a solid ground plane can reduce the parasitic inductance from approximately 20nH/in to 7nH/in. Also, use low-inductance connections to ground on all GND pins, and place decoupling capacitors close to all VDD connections.

The EV kit PC board can serve as a reference design for laying out a board using the MAX1470. All required components have been enclosed in a 1.25in x 1.25in square, which can be directly "inserted" in the application circuit.

**Table 1. Jumper Function Table**

JUMPER	STATE	FUNCTION
JU1	1-2	Normal operation
JU1	2-3	Power-down mode
JU1	N.C.	External power-down control
JU3	1-2	Mixer output to MIX_OUT
JU3	2-3	External IF input
JU3	N.C.	Normal operation
JU4	1-2	Uses PDOUT for faster receiver startup
JU4	2-3	GND connection for peak detector filter

**Table 2. Test Points**

TP	DESCRIPTION
1	PLL control voltage ( <b>Note:</b> Connecting anything to this test point degrades RF performance.)
2	Data slicer negative input
3	Data slicer positive input
4	Peak detector out
5	VDD
6	GND
7	Data filter feedback node
8	Data out
9	Power-down select input

# MAX1470 Evaluation Kit

## Detailed Description

### Power-Down Control

The MAX1470 can be controlled externally using the SHDN connector. The IC draws approximately  $1.25\mu\text{A}$  in shutdown mode. Jumper JU1 is used to control this mode. The shunt can be placed between pins 2 and 3 for continuous shutdown, or pins 1 and 2 for continuous operation. Remove the JU1 shunt for external control. See Table 1 for the jumper function descriptions.

### IF Input/Output

The 10.7MHz IF can be monitored with the help of a spectrum analyzer using the MIX\_OUT SMA (not provided). Remove the ceramic filter for such a measurement and include R3 ( $270\Omega$ ) and C17 ( $0.01\mu\text{F}$ ) to match the  $330\Omega$  mixer output with the  $50\Omega$  spectrum analyzer. Jumper JU3 needs to connect pins 1 and 2. It is also possible to use the MIX\_OUT SMA to inject an external IF as a means of evaluating the baseband data slicing section. Jumper JU3 needs to connect pins 2 and 3.

### F\_IN External Frequency Input

For applications where the correct frequency crystal is not available, it is possible to directly inject an external frequency through the F\_IN SMA (not provided). Connect the SMA to a function generator. The addition of C18 and C19 is necessary (use  $0.01\mu\text{F}$  capacitors).

### Test Points and I/O Connections

Additional test points and I/O connectors are provided to monitor the various baseband signals and for external connections. See Tables 2 and 3.

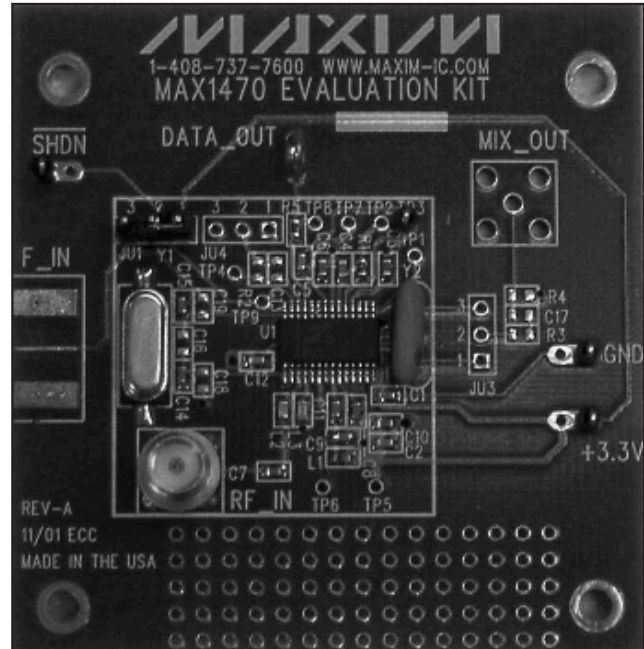


Figure 1. MAX1470 EV Kit

Table 3. I/O Connectors

SIGNAL	DESCRIPTION
RF_IN	RF input
F_IN	External reference frequency input
MIX_OUT	IF input/output
GND	Ground
3.3V	3.3V power input
DATA_OUT	Sliced data output
SHDN	External power-down control

# MAX1470 Evaluation Kit

Evaluates: MAX1470

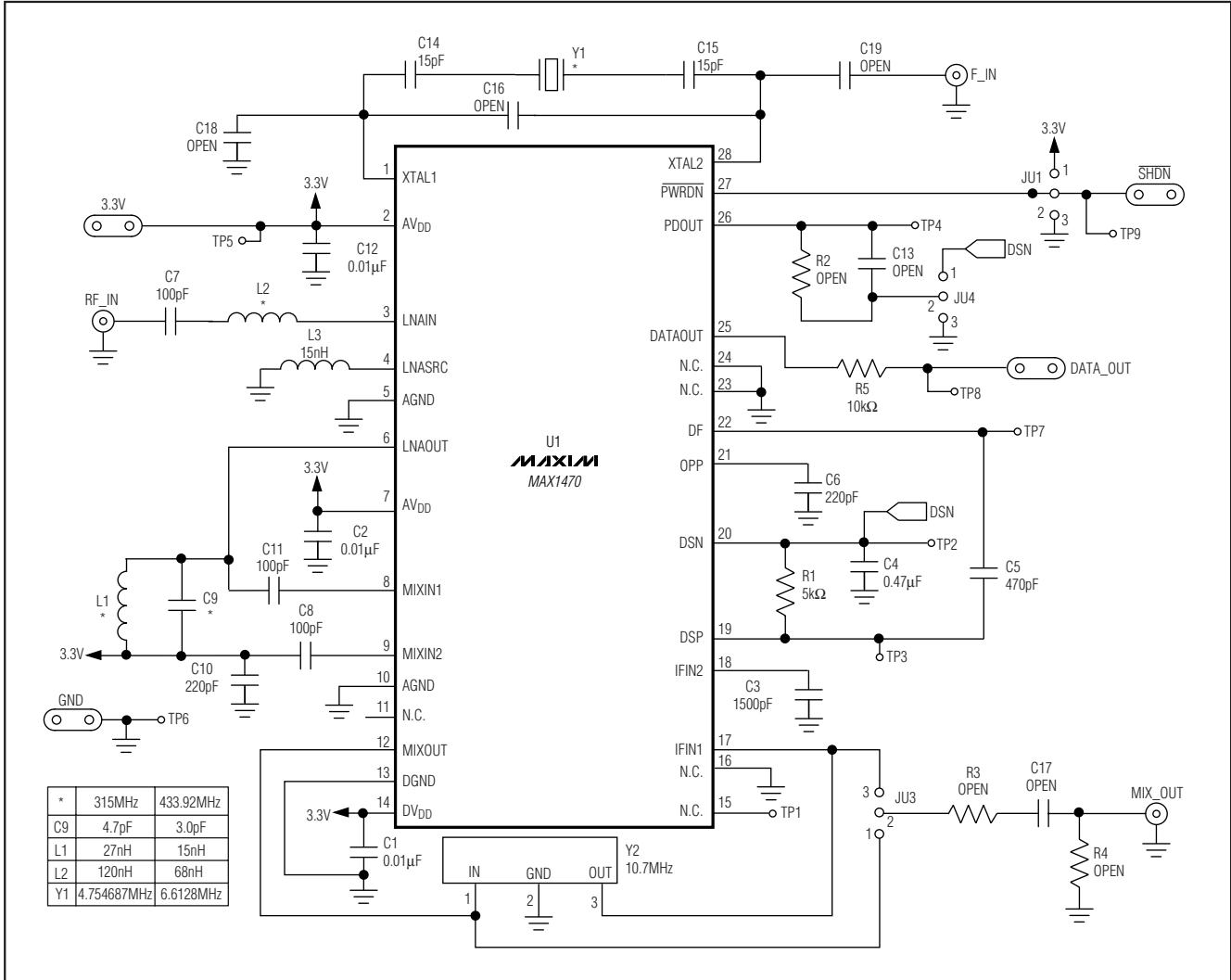


Figure 2. MAX1470 EV Kit Circuit Diagram

# MAX1470 Evaluation Kit

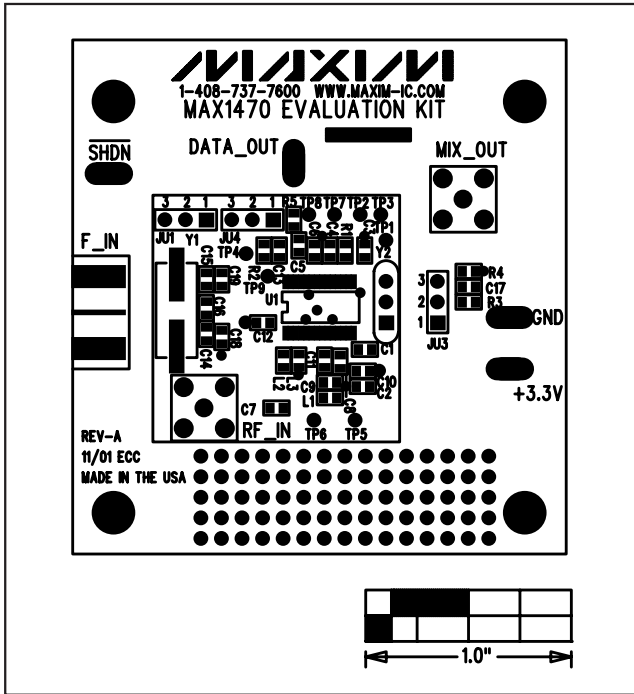


Figure 3. MAX1470 EV Kit Component Placement Guide—Top Silkscreen

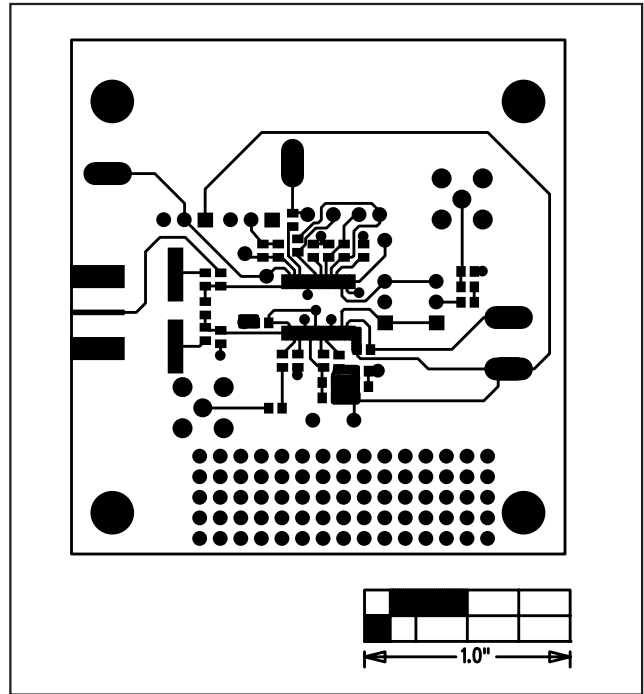


Figure 4. MAX1470 EV Kit PC Board Layout—Top Copper

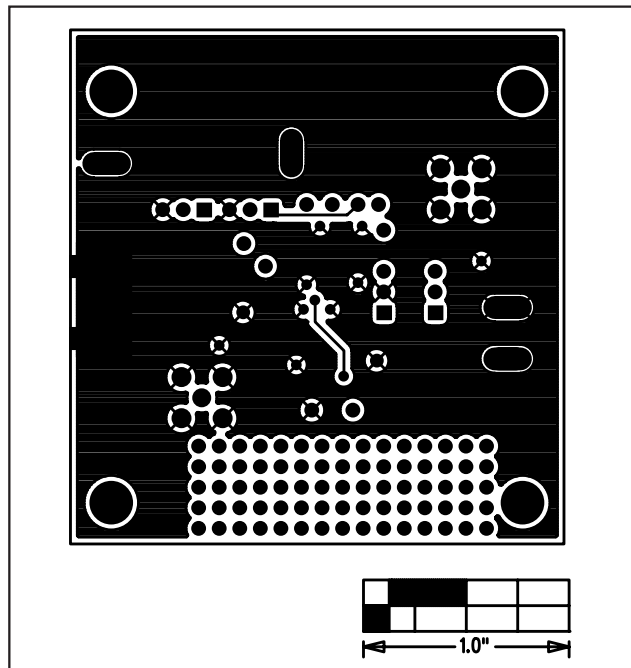


Figure 5. MAX1470 EV Kit PC Board Layout—Bottom Copper

Maxim cannot assume responsibility for use of any circuitry other than circuitry entirely embodied in a Maxim product. No circuit patent licenses are implied. Maxim reserves the right to change the circuitry and specifications without notice at any time.

6 \_\_\_\_\_ Maxim Integrated Products, 120 San Gabriel Drive, Sunnyvale, CA 94086 408-737-7600