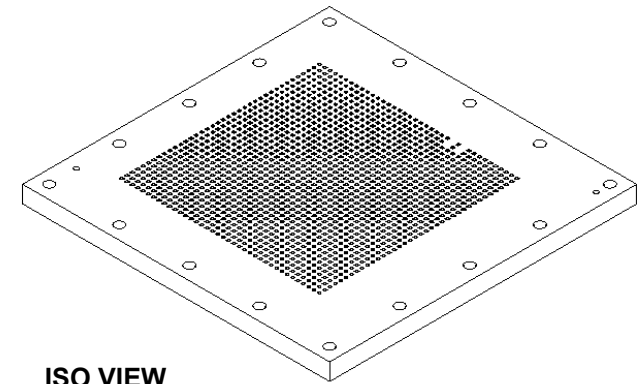
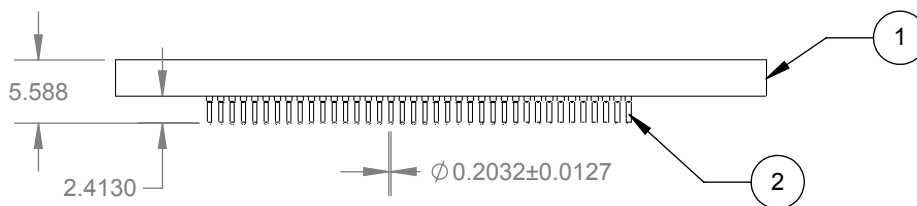


TOP VIEW

ITEM NO.	DESCRIPTION	Material
1	Substrate	3.18mm ±0.125mm [0.125" ±0.005"] FR4/G10 or equivalent high temp material. Non-clad.
2	Pin	Brass - PS-2 Plating: 10u" Au over 50u" Ni min.



ISO VIEW




FRONT VIEW



Description: Thru hole adapter, 1440 position SMT land pattern to terminal pins 1mm on center 38x38 array. To be used with GHz sockets.

Primary dimension units are millimeters, Secondary dimension units are [inches].

Tolerances: Hole diameters ±0.03mm [±0.001"], Pitches (from true position) ±0.025mm [±0.001"], substrate thickness tolerance ±10%, all other tolerances ±0.13mm [±0.005"] unless stated otherwise. Materials and specifications are subject to change without notice.


LS-BGA1440A-05 Specification		Material: N/A	STATUS: Released	SHEET: 1 OF 2	REV. A
 Ironwood Electronics, Inc. Tele: (800) 404-0204 www.ironwoodelectronics.com	Finish: N/A	Weight: 18.22	DRAWN BY: M. Raske	SCALE: 3:2	
			FILE: LS-BGA1440A-05 Dwg	DATE: 02/23/2012	

Rev	Date	Initials	Description
A	-	-	Original

Description: Revision History

Primary dimension units are millimeters, Secondary dimension units are [inches].

Tolerances: Hole diameters $\pm 0.03\text{mm}$ [$\pm 0.001"$], Pitches (from true position) $\pm 0.025\text{mm}$ [$\pm 0.001"$], substrate thickness tolerance $\pm 10\%$, all other tolerances $\pm 0.13\text{mm}$ [$\pm 0.005"$] unless stated otherwise. Materials and specifications are subject to change without notice.

 Specification Ironwood Electronics, Inc. Tele: (800) 404-0204 www.ironwoodelectronics.com	Material: Finish: Weight:	STATUS: Released	SHEET: 2 OF 2	REV. A
		DRAWN BY: M. Raske	SCALE: 1:1	
		FILE: LS-BGA1440A-05 Dwg	DATE: 02/23/2012	