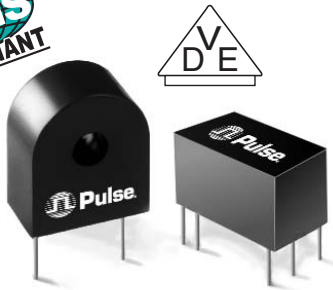


# THT CURRENT SENSE TRANSFORMERS & INDUCTORS



- VDE Approved
- Designed for switching power supply applications
- Transformer meets IEC950 insulation requirements
- Frequency range from 20kHz to 200kHz

## Electrical Specifications @ 25°C — Operating Temperature -40°C to 130°C

Part Number Transformer with 2-1 T Primaries	Schem. Figure	Part Number Transformer with 1T Primary	Schem. Figure	Part Number Inductor without Primary	Schem. Figure	Turns Ns	Secondary Inductance MH (MIN)	Secondary Inductance Test Voltage (15.75 KHz)	RS (Ω MAX)	RT (Ω NOM)	Primary Unipolar Amp μ Sec. Rating (MAX)	Primary Bipolar Amp μ Sec. Rating (MAX)
—	1C	PE-63586	1A	PE-51686	2A	50	5.0	0.5	0.7	50	150	300
PE-64487	1C	PE-63587	1A	PE-51687	2A	100	20.0	1.0	1.40	100	300	600
PE-64488	1C	PE-63588	1A	PE-51688	2A	200	80.0	2.0	4.50	200	600	1200
PE-64517	1D	—	—	PE-51717	2B	50CT	5.0	0.5	0.7	50	150	300
PE-64518	1D	PE-63618	1B	PE-51718	2B	100CT	20.0	1.0	1.40	100	300	600
PE-64519	1D	PE-63619	1B	PE-51719	2B	200CT	80.0	2.0	4.50	200	600	1200
—	—	PE-63691	1B	—	—	300CT	180.0	3.0	11.0	300	900	1800

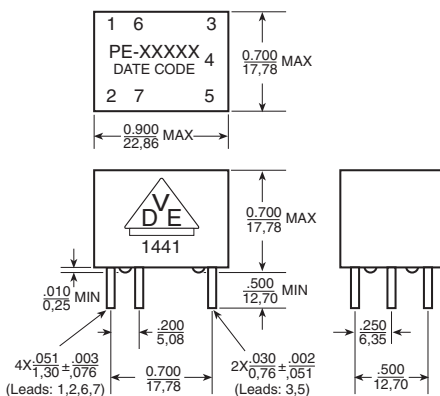
### NOTES:

- Maximum ratings specified with rated secondary terminating resistance and 1 turn primary.
- Amp-microsecond (AμSec.) rating of primary equals volt microsecond (VμSec.) rating of secondary when secondary is terminated in rated resistance. (Amp—microseconds is equal to the product of a square pulse of current in amps, times the current pulse width in microseconds).
- Maximum operating temperature 105°C (ambient plus rise).
- When terminated with rated terminating resistance, the inductor scale factor is  $V_{out} = 1$  volt per amp. for center tapped units terminating resistance for each half of winding is listed value divided by two.
- 1 turn primary peak sense current is 20 amps for all parts listed above.
- RoHS compliant parts are being introduced. Please contact Pulse for RoHS compliant part availability. If available, order part by adding the suffix "NL" to the part number (i.e. PE-63586 becomes PE-63586NL).

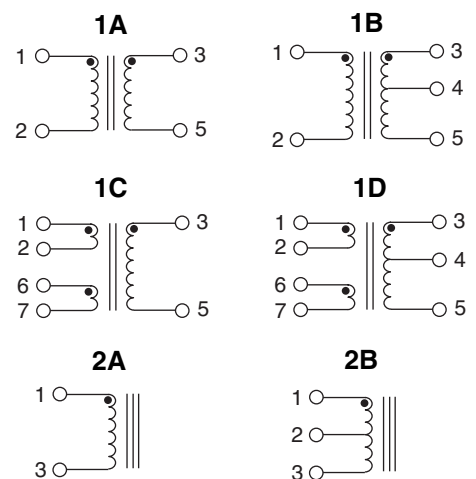
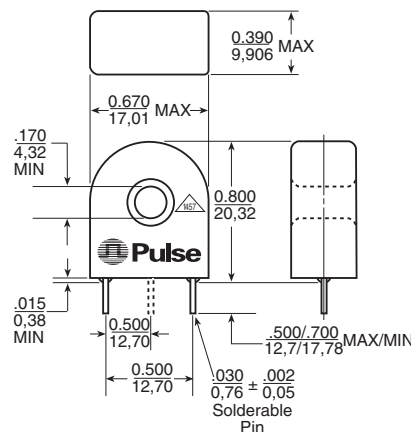
## Mechanicals

## Schematics

### Transformer



### Inductor



Dimensions:  $\frac{\text{Inches}}{\text{mm}}$  Unless otherwise specified, all tolerances are  $\pm \frac{.005}{0.13}$

## For More Information:

### Pulse Worldwide Headquarters

12220 World Trade Drive  
San Diego, CA 92128  
U.S.A.  
[www.pulseeng.com](http://www.pulseeng.com)  
TEL: 858 674 8100  
FAX: 858 674 8262

### Pulse Northern Europe

3 Huxley Road  
Surrey Research Park  
Guildford, Surrey GU2 5RE  
United Kingdom  
TEL: 44 1483 401700  
FAX: 44 1483 401701

### Pulse Southern Europe

Zone Industrielle  
F-39270  
Orgelet  
France  
TEL: 33 3 84 35 04 04  
FAX: 33 3 84 25 46 41

### Pulse China Headquarters

No. 1  
Industrial District  
Changan, Dongguan  
China  
TEL: 86 769 5538070  
FAX: 86 769 5538870

### Pulse North China

Room 1503  
XinYin Building  
No. 888 YiShan Road  
Shanghai 200233  
China  
TEL: 86 21 54643211/2  
FAX: 86 21 54643210

### Pulse South Asia

150 Kampong Ampat  
#07-01/02  
KA Centre  
Singapore 368324  
TEL: 65 6287 8998  
FAX: 65 6280 0080

### Pulse North Asia

No. 26  
Kao Ching Road  
Yang Mei Chen  
Taoyuan Hsien  
Taiwan, R. O. C.  
TEL: 886 3 4641811  
FAX: 886 3 4641911

Performance warranty of products offered on this data sheet is limited to the parameters specified. Data is subject to change without notice. Other brand and product names mentioned herein may be trademarks or registered trademarks of their respective owners.

© Copyright, 2006. Pulse Engineering, Inc. All rights reserved.

[www.pulseeng.com](http://www.pulseeng.com)

P578.A (3/06)

# Mouser Electronics

Authorized Distributor

Click to View Pricing, Inventory, Delivery & Lifecycle Information:

## Pulse:

[PE-64488](#) [PE-64487](#) [PE-63588](#) [PE-63587](#) [PE-63586](#) [PE-63691](#) [PE-63619](#) [PE-63618](#) [PE-64518](#) [PE-64519](#) [PE-64517](#) [PE-51687NL](#) [PE-51718NL](#) [PE-51717NL](#) [PE-63588NL](#) [PE-63618NL](#) [PE-64487NL](#) [PE-51718](#) [PE-51719](#) [PE-51687](#) [PE-51688NL](#) [PE-63587NL](#) [PE-51719NL](#) [PE-51686NL](#) [PE-51717](#) [PE-51686](#) [PE-51688](#)