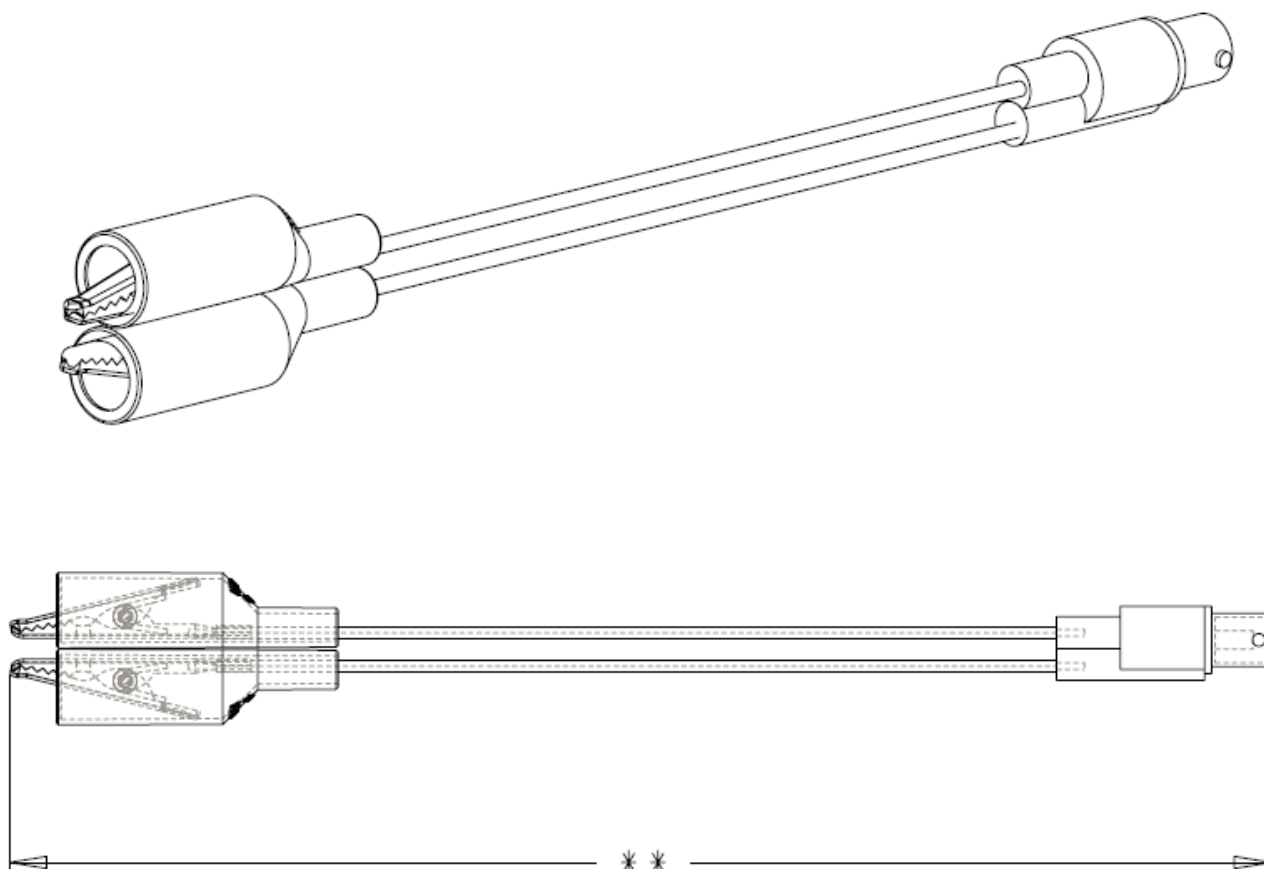




Part Number: BU-5231-A-4-0(RS# 1759365)
Description: BNC Female Breakout
Insulated Mini-Alligator Clips

1409



- BNC Female Breakout Insulated Mini-Alligator Clips
- Material: BNC Female Connector: quality tarnish-resistant, plated brass with a gold-plated brass center contact, ABS housing; Clip: Mueller No. BU-30 with No. BU-31-X insulators; Hook –up Wire: #20 AWG (41/36) tinned copper with 105° C PVC insulator
- *Std. Colors: -0 Black, -2 Red
- Rating: Hands free testing at 300 VRMS, 10 Amps
- RoHS Compliant